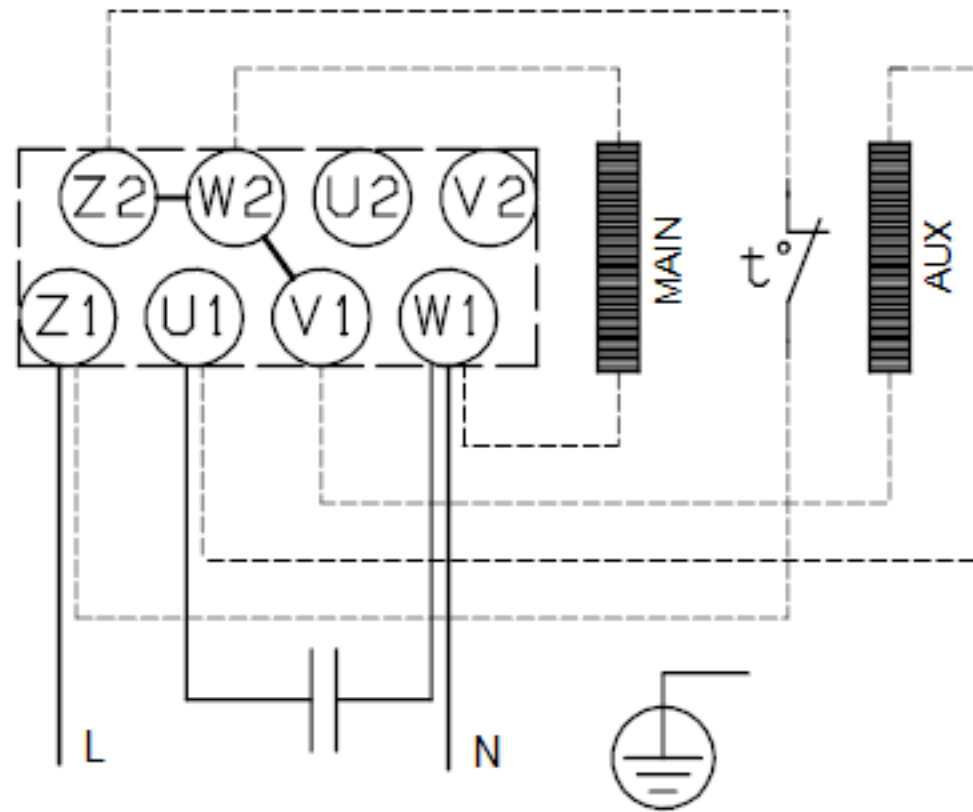




DIRECTION OF ROTATION



DIRECTION OF ROTATION

