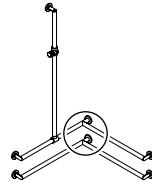
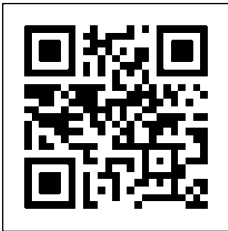


**(US)** Installation instructions



Reinigung und Pflege | Care and cleaning | Nettoyage et entretien  
Reiniging en onderhoud | Manutenzione e pulizia | Cuidado y limpieza  
Czyszczenie i pielęgnacja | Rengøring og pleje

<https://www.hewi.com/de/service/downloads>



---

## Contents

User information	3
Product information	4
Mounting	5
Instructions for use	11
Removal	11

---

**HEWI support**

+1 646 405 10 32

## Intended purpose

The HEWI rail system is designed for use in bathrooms. It provides a gripping option for persons with or without physical disability when they shower or take a bath.

## Exclusion of liability

HEWI accepts no liability whatsoever for damage to persons or property that occurs or has occurred as a result of improper mounting or maintenance, particularly if the safety instructions and other points to note listed are not or have not been observed in full. HEWI accepts no liability whatsoever for damage occurring from incorrect cleaning.

## Disposal

Disposal of the product and packaging is subject to the relevant national regulations.

## Safety instructions

These instructions are intended for qualified skilled personnel and the user of the installed product. Following installation, the instructions must be made available to the user.

- Follow with the installation instructions and instructions for use.
- In case of questions, problems, uncertainties or if damage occurs, contact the HEWI support service.
- Ensure that the product is installed, maintained and repaired by qualified, skilled personnel only.
- Check the product for damage on acceptance. Report defects immediately.
- Install/use the product only:
  - in accordance with its intended purpose
  - in its original condition without modifications
  - in perfect condition
- Use original spare parts only.
- Only use the HEWI fixing materials included.
- Only use in closed rooms.

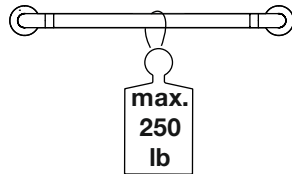


### CAUTION!

Observe maximum load.

Exceeding the maximum load of the grab rails may lead to injuries due to falling.

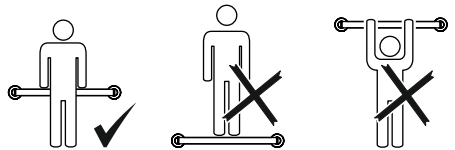
Ensure that the wall structure and fixings are able to permanently bear the expected load.



### CAUTION!

Ensure that grab rails are only used for support.

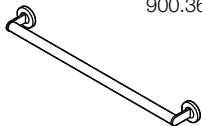
Any improper use, e.g. for climbing or pull-up exercises, may lead to injuries due to slipping or falling.



**Product information**

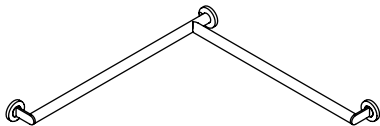
900.36.060...  
 900.36.061...  
 900.36.062...  
 900.36.063...  
 900.36.064...

900.36.065...  
 900.36.066...  
 900.36.067...  
 900.36.068...  
 900.36.069...



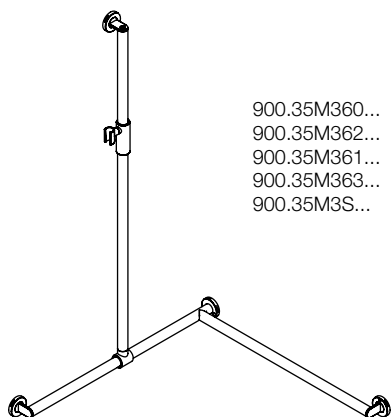
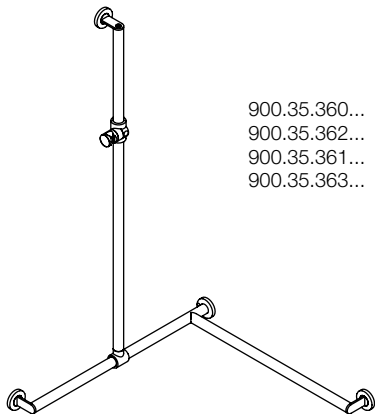
900.35.160...  
 900.35.161...  
 900.35.162...  
 900.35.163...

900.35.164...  
 900.35.165...  
 900.35.166...  
 900.35.167...



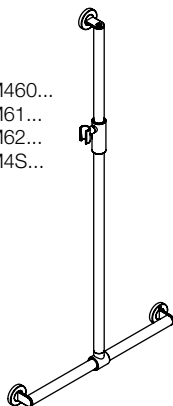
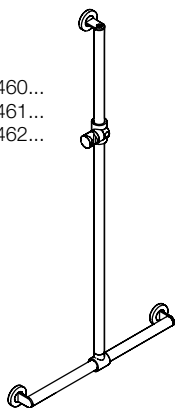
900.35.360...  
 900.35.362...  
 900.35.361...  
 900.35.363...

900.35M360...  
 900.35M362...  
 900.35M361...  
 900.35M363...  
 900.35M3S...



900.35.460...  
 900.35.461...  
 900.35.462...

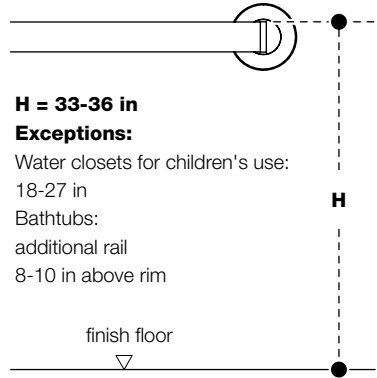
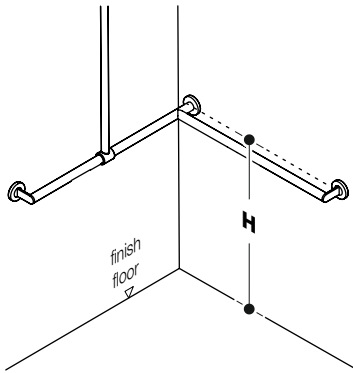
900.35M460...  
 900.35M61...  
 900.35M62...  
 900.35M4S...



900.33.060...

900.33M060...  
 900.33M0S...





**H = 33-36 in**

**Exceptions:**

Water closets for children's use:

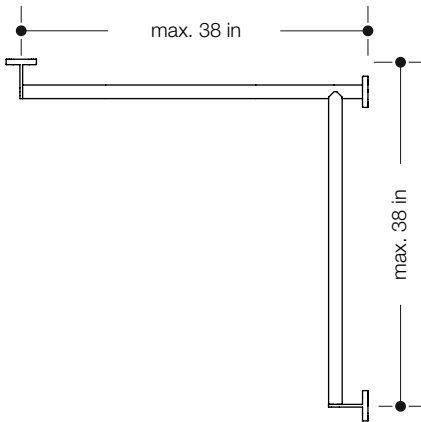
18-27 in

Bathtubs:

additional rail

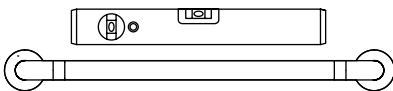
8-10 in above rim

finish floor



**CAUTION!**

Too wide support spacings will reduce the stability of the grab rail and wall supports and may lead to injuries due to falling. Observe maximum support spacings.

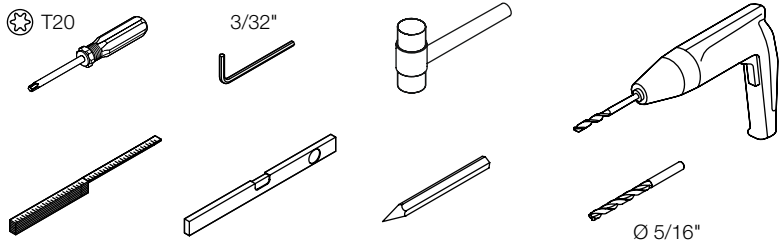


**CAUTION!**

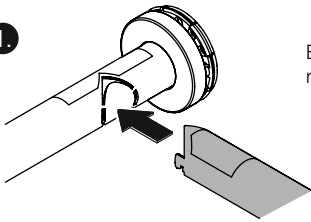
Ensure that grab rails are installed horizontally. Grab rails installed in any other than a horizontal position may lead to injuries due to slipping or falling.

## Mounting

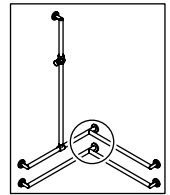
### Tools required



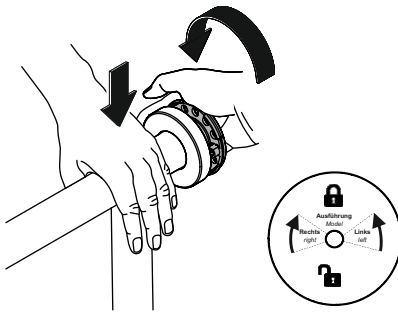
1



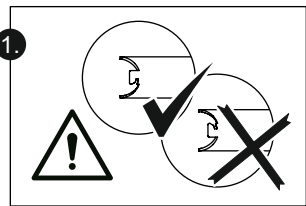
Example shown:  
right-sided version



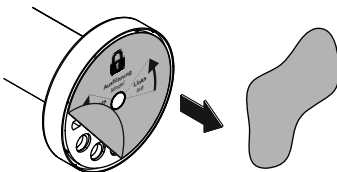
2



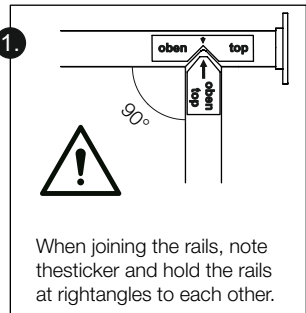
1

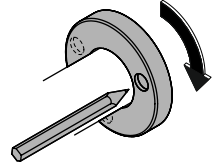
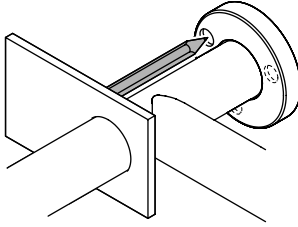
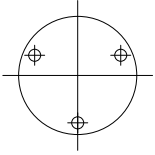
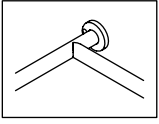


3

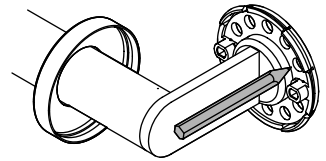
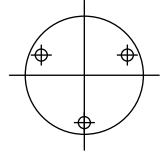
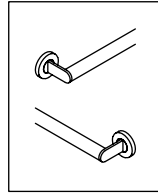
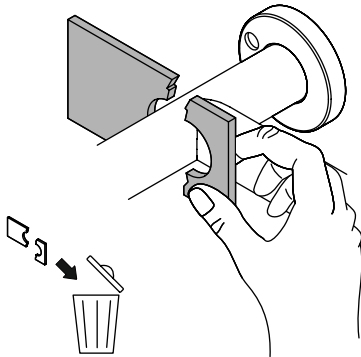


1



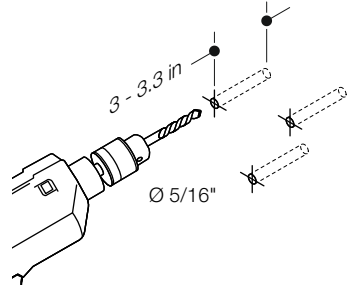
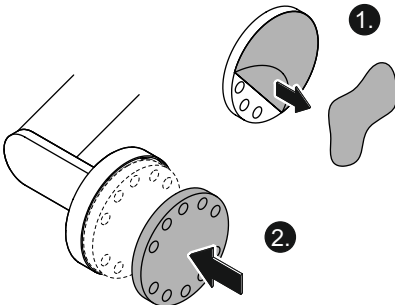


1



2

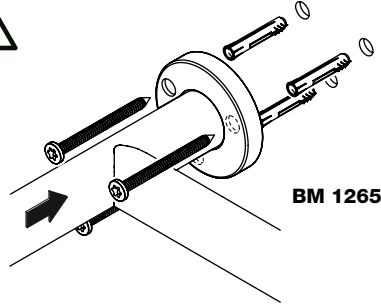
3



4

5

# Mounting

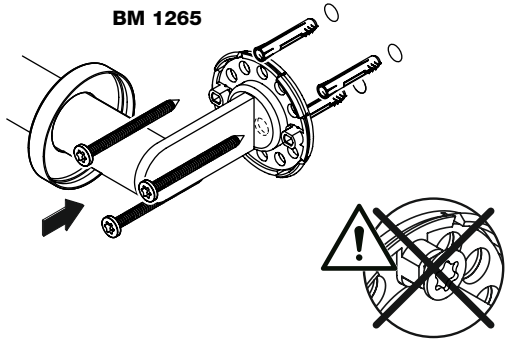


**BM 1265**

Use extended bit acceptances (approx. 4 in) for electric screwdrivers or similar as otherwise the chuck may damage the surface!

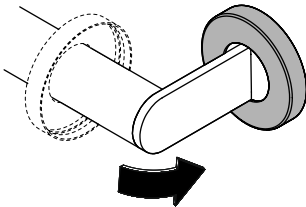
6

**BM 1265**

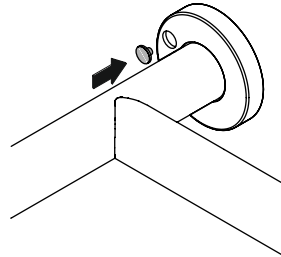


Use extended bit acceptances (approx. 4 in) for electric screwdrivers or similar as otherwise the chuck may damage the surface!

7

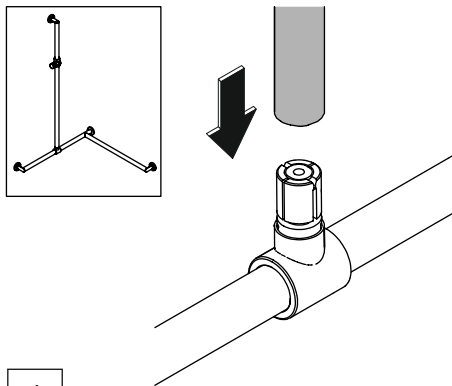


8

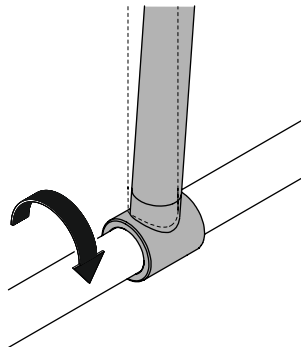


9

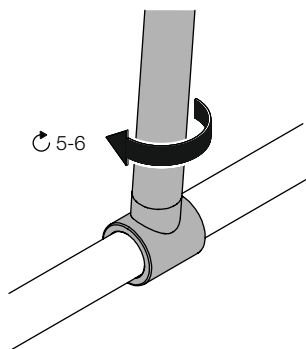




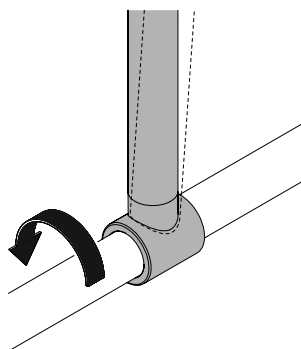
1



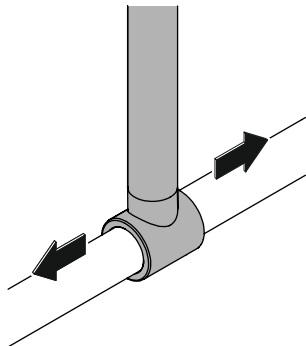
2



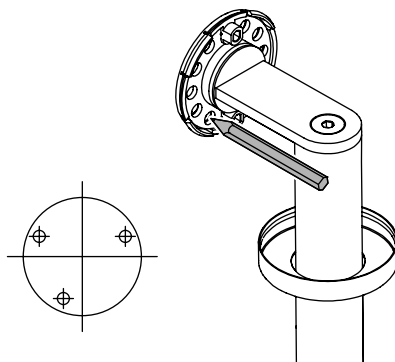
3



4



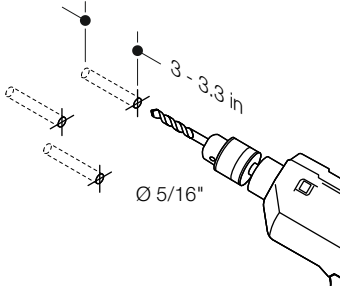
5



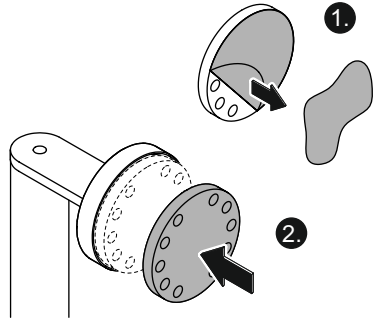
6

# Mounting

7



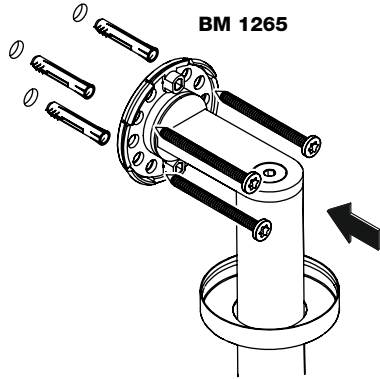
8



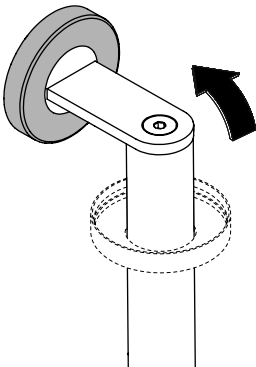
9



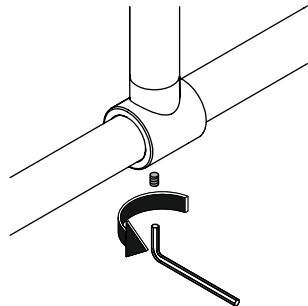
Use extended bit acceptances (approx. 4 in) for electric screwdrivers or similar as otherwise the chuck may damage the surface!

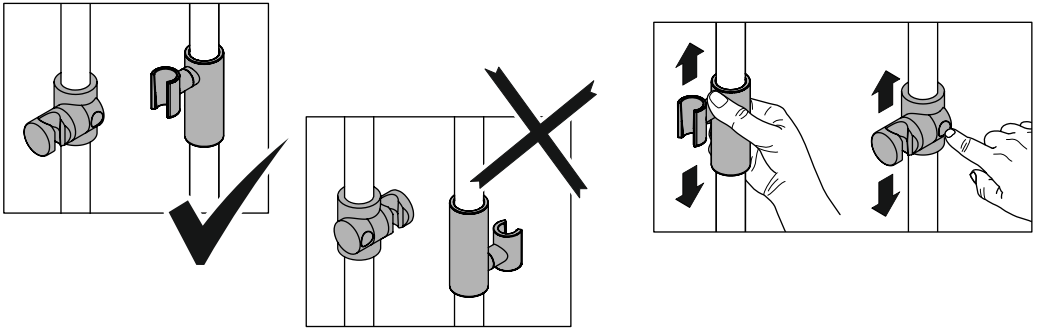


10

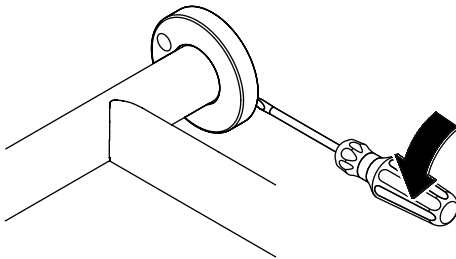


11





Removal



1

# HEWI

[www.hewi.com](http://www.hewi.com)

 GERMANY  
HEWI Heinrich Wilke GmbH  
Prof.-Bier-Straße 1-5  
D-34442 Bad Arolsen  
Phone: +49 5691 82-0  
Fax: +49 5691 82-319  
[international@hewi.de](mailto:international@hewi.de)



M9000.13

2024/02