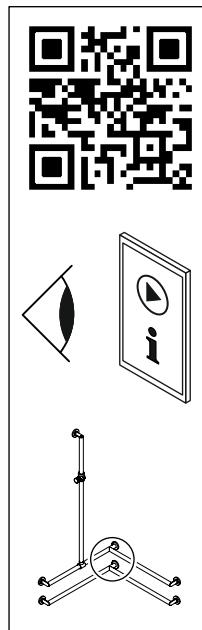


US Installation instructions

Contents

User information	3
Warning notices	4
Product information	5
Mounting	6
Demounting	11



(D) HEWI-Support	0049 5691 82-300 (D) 00 800 4394 4394 (A, CH Freecall Festnetz)
(GB) HEWI support	0044 1634 258200 (UK) 0049 5691 82-0 (international)
(F) Support HEWI	0033 472 83 09 09 (F) 00 800 4394 4394 (BE, LU, CH appel gratuit, poste fixe)
(NL) HEWI support	00 800 4394 4394 (BE, LU, NL gratis, vaste lijn)
(I) HEWI supporto	0049 5691 82-0
(E) HEWI soporte	0049 5691 82-0
(PL) Wsparcie HEWI	0048 022 330 0052

Intended purpose

The HEWI rail system is designed to be used in bathrooms. It provides a gripping option for persons with or without physical disability when they shower or take a bath.

Exclusion of liability

HEWI accepts no liability whatsoever for damage to persons or property that occurs or has occurred as a result of improper mounting or maintenance, particularly if the safety instructions and other points to note listed are not or have not been observed in full. HEWI accepts no liability whatsoever for damage occurring from incorrect cleaning.

Safety instructions

These instructions are intended for qualified skilled personnel and the user of the installed product. Following installation, the instructions must be made available to the user.

- Follow with the installation instructions and instructions for use.
- In case of questions, problems, uncertainties or if damage occurs, contact the HEWI support service.
- Ensure that the product is installed, maintained and repaired by qualified, skilled personnel only.
- Check the product for damage on acceptance. Report defects immediately.
- Install/use the product only:
 - in accordance with its intended purpose
 - in its original condition without modifications
 - in perfect condition
- Use original spare parts only.
- Use only HEWI fixing materials.
- Only use in closed rooms.

Cleaning



CAUTION!

Risk of injury due to faults in or damage to the product.

- Clean the product as and when required.
- Follow the manufacturer's instructions regarding concentration, contact time, etc.
- Always apply the cleaning product on a cloth; do not apply it directly on the surface.
- Rinse with cold water immediately after cleaning.
- Note the material-specific information on

suitable/unsuitable cleaning products.

- Try out all products on an inconspicuous area before use.
- Do not use any products with unknown composition.

Unsuitable cleaning products

- Abrasive products/objects (e.g. scouring agents, scourer sponge, brushes, steel wool, microfibres, dirt erasers)
- Alkaline, acidic and chlorine-based cleaning products, solvents
- Steam cleaners
- Do not treat metal components with objects containing iron (e.g. scourer sponge, steel wool).

Disposal

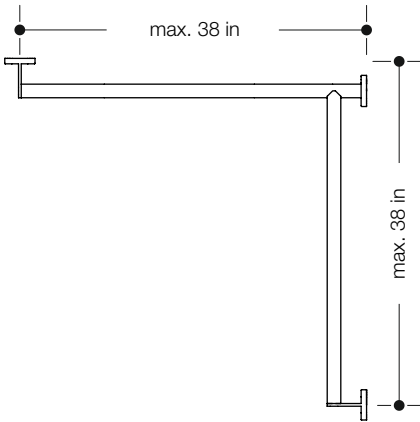
Disposal of the product and packaging is subject to the relevant national regulations.

Warning notices



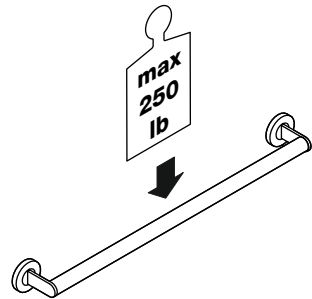
CAUTION!

Too wide support spacings will reduce the stability of the grab rail and wall supports and may lead to injuries due to falling. Observe maximum support spacings.



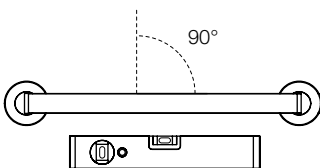
CAUTION!

Exceeding the maximum load of the grab rails may lead to injuries due to falling. Observe maximum load. Ensure that the wall structure and fixings are able to permanently bear the expected load. Lightweight construction walls must be lined at the back as necessary.



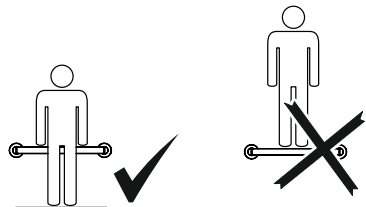
CAUTION!

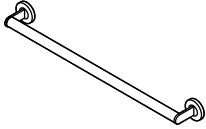
Grab rails installed in any other than a horizontal position may lead to injuries due to slipping or falling. Install grab rails in a horizontal position.



CAUTION!

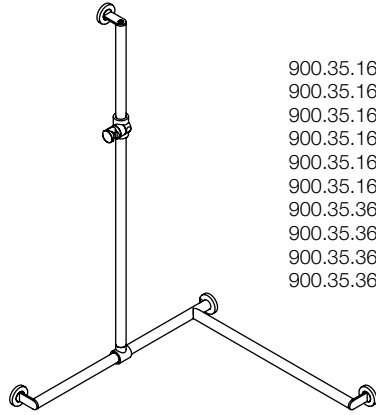
Any improper use, e.g. as a gymnastic apparatus or climbing aid, may lead to injuries due to slipping or falling. Use grab rails only for support.





900.36.060...
 900.36.061...
 900.36.062...
 900.36.063...
 900.36.064...
 900.36.065...
 900.36.066...

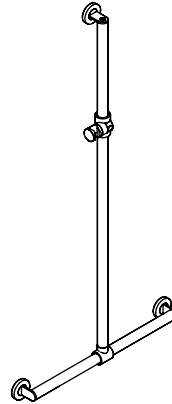
 900.36.067...
 900.36.068...
 900.36.069...



900.35.160...
 900.35.163...
 900.35.161...
 900.35.164...
 900.35.162...
 900.35.165...
 900.35.360...
 900.35.362...
 900.35.361...
 900.35.363...



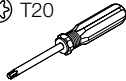
900.33.060...



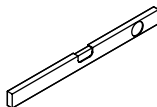
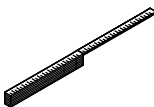
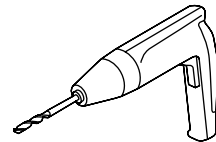
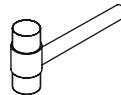
900.35.460...
 900.35.461...
 900.35.462...

Tools required

 T20

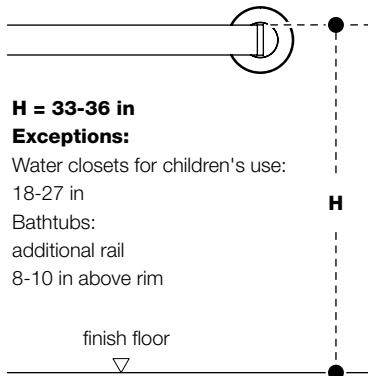
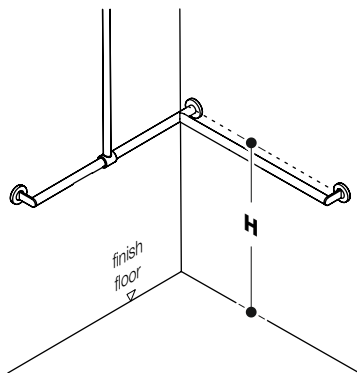


3/32"

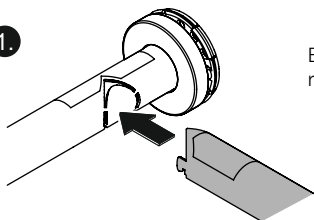


Ø 5/16"

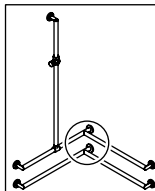
Mounting



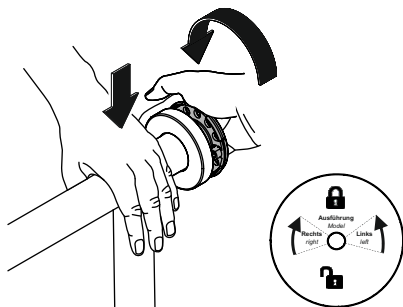
1.



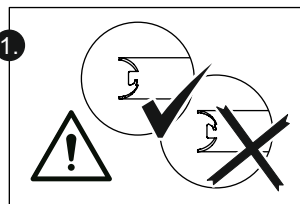
Example shown:
right-sided version



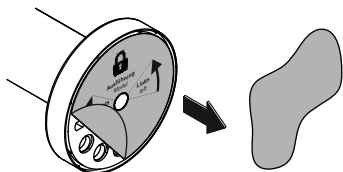
2.



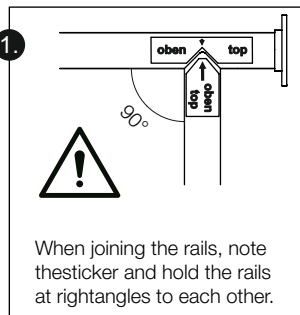
1.



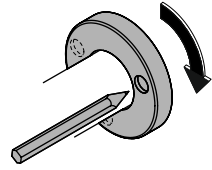
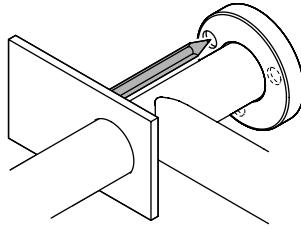
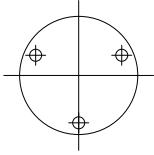
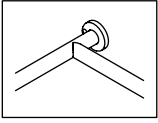
3.



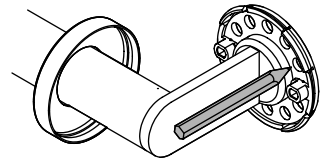
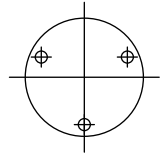
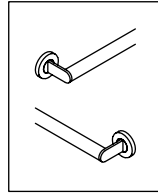
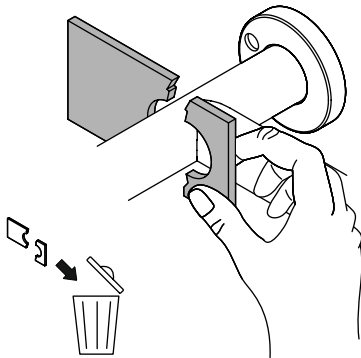
1.



When joining the rails, note the sticker and hold the rails at rightangles to each other.

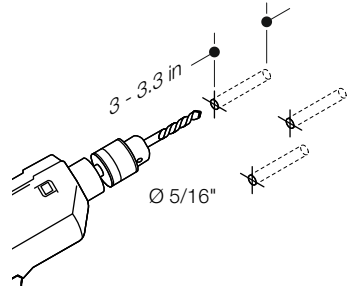
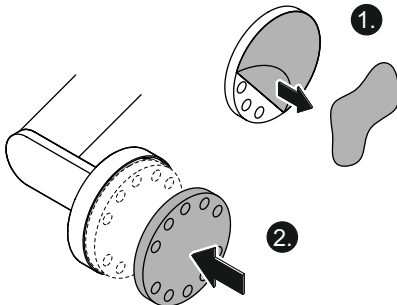


1



2

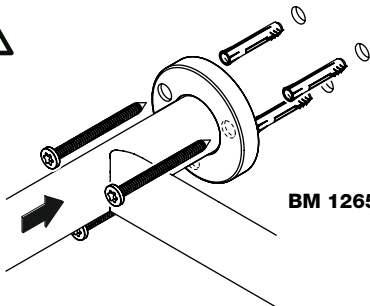
3



4

5

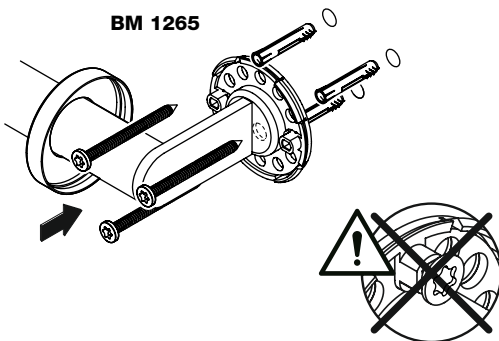
Mounting



Use extended bit acceptances (approx. 4 in) for electric screwdrivers or similar as otherwise the chuck may damage the surface!

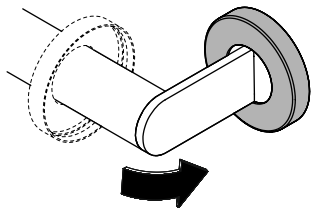
6

BM 1265

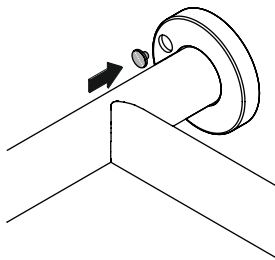


Use extended bit acceptances (approx. 4 in) for electric screwdrivers or similar as otherwise the chuck may damage the surface!

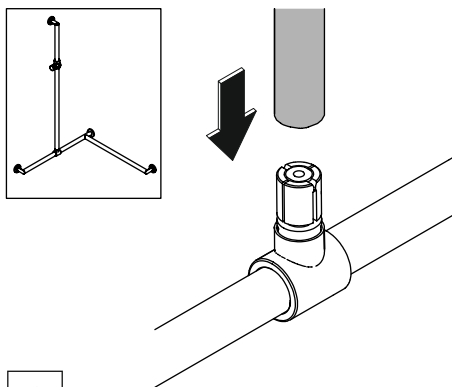
7



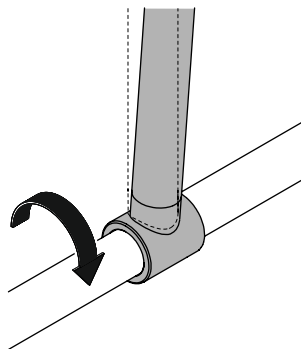
8



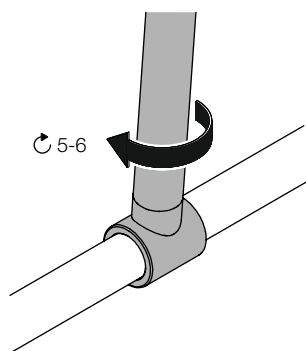
9



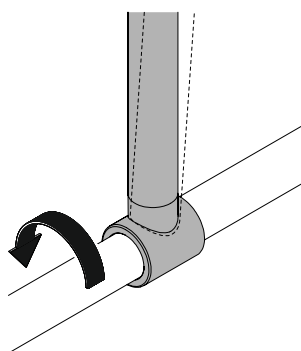
1



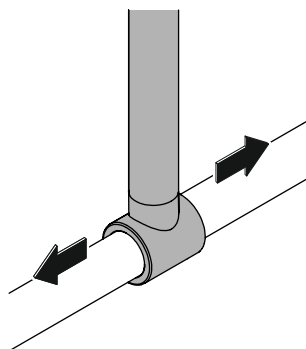
2



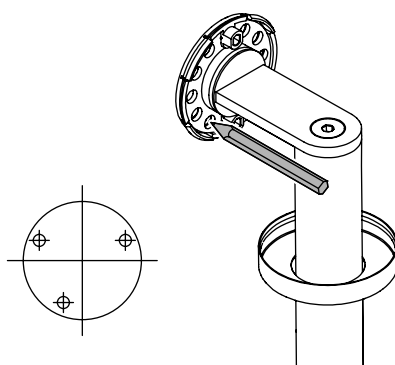
3



4



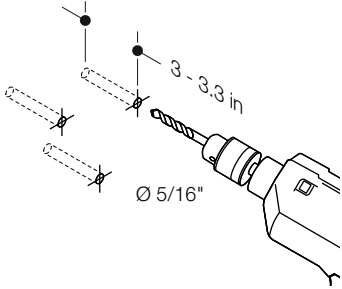
5



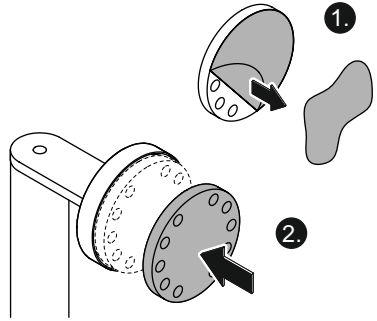
6

Mounting

7



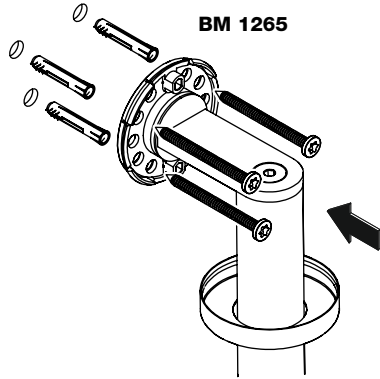
8



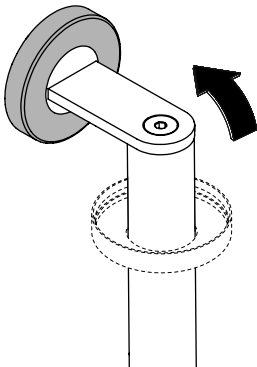
9



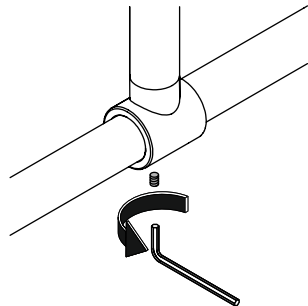
Use extended bit acceptances (approx. 4 in) for electric screwdrivers or similar as otherwise the chuck may damage the surface!

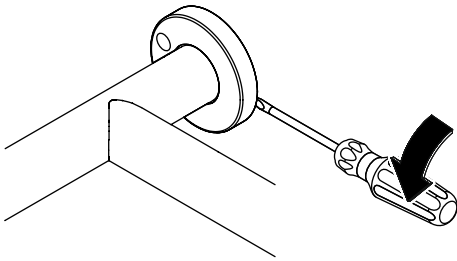


10



11





1

HEWI

www.hewi.com

 GERMANY
HEWI Heinrich Wilke GmbH
Prof. -Bier-Straße 1-5
D-34442 Bad Arolsen
Phone: +49 5691 82-0
Fax: +49 5691 82-319
international@hewi.de