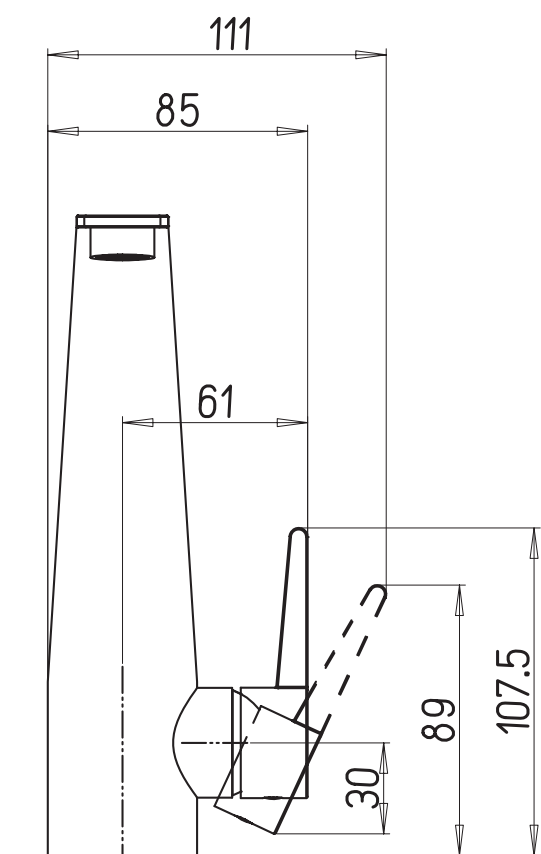
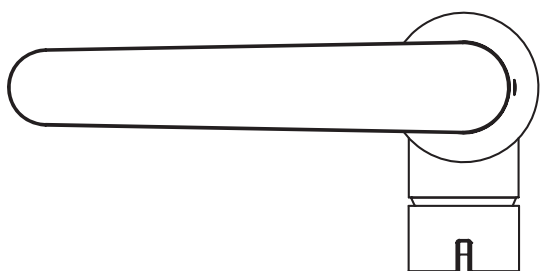


hole ϕ 35



hole ϕ 35

