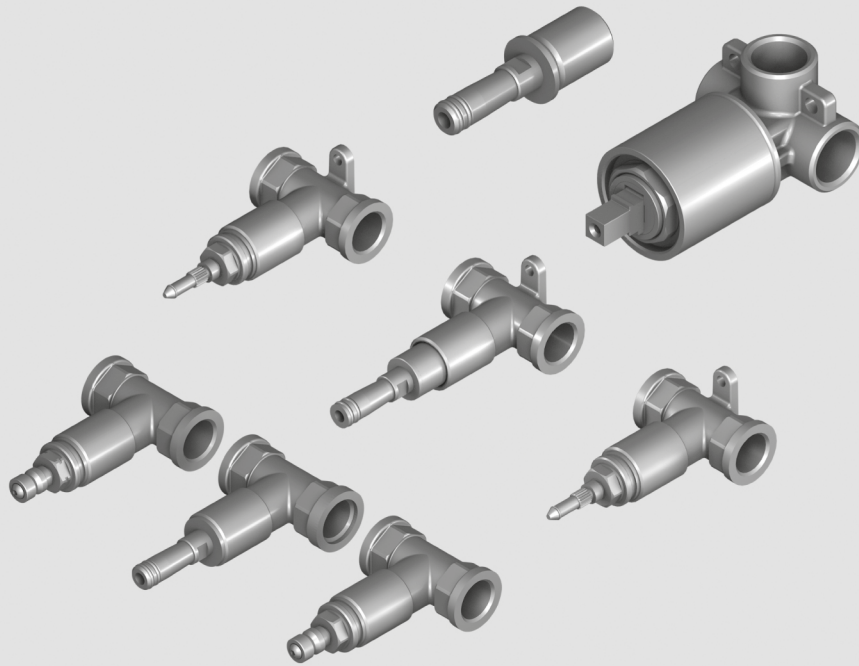
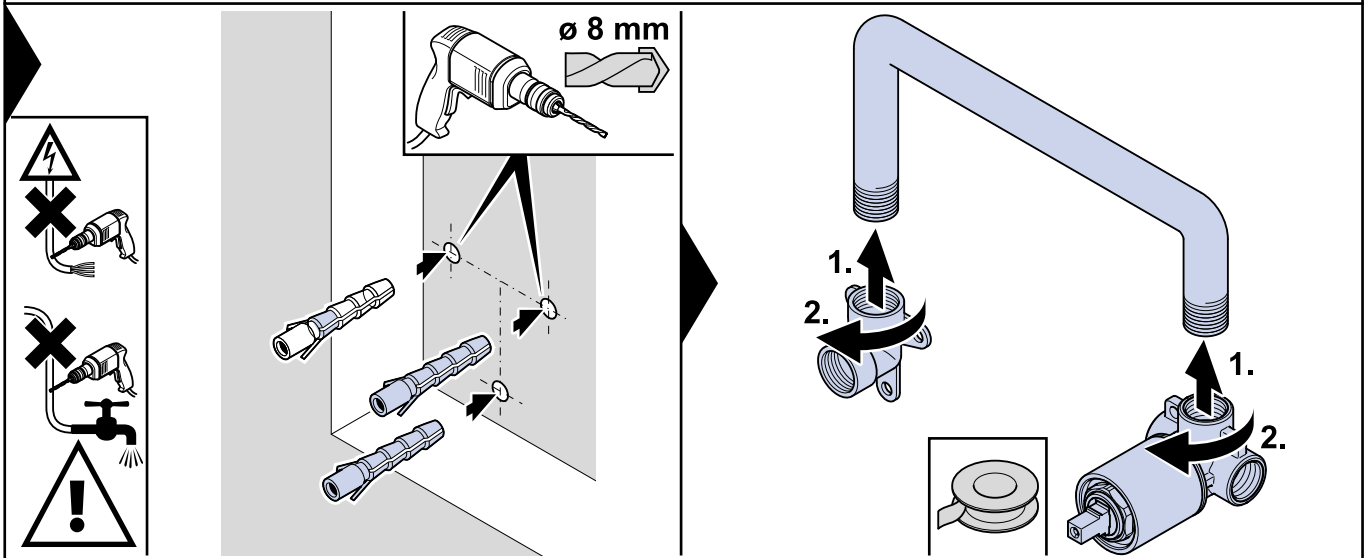
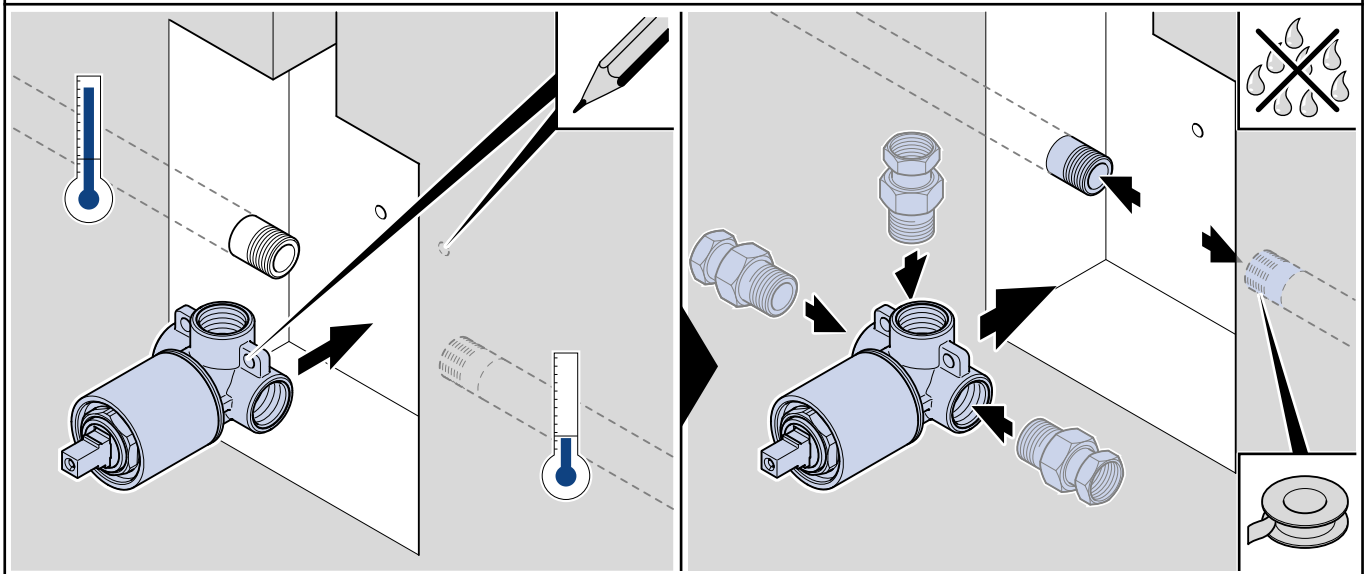
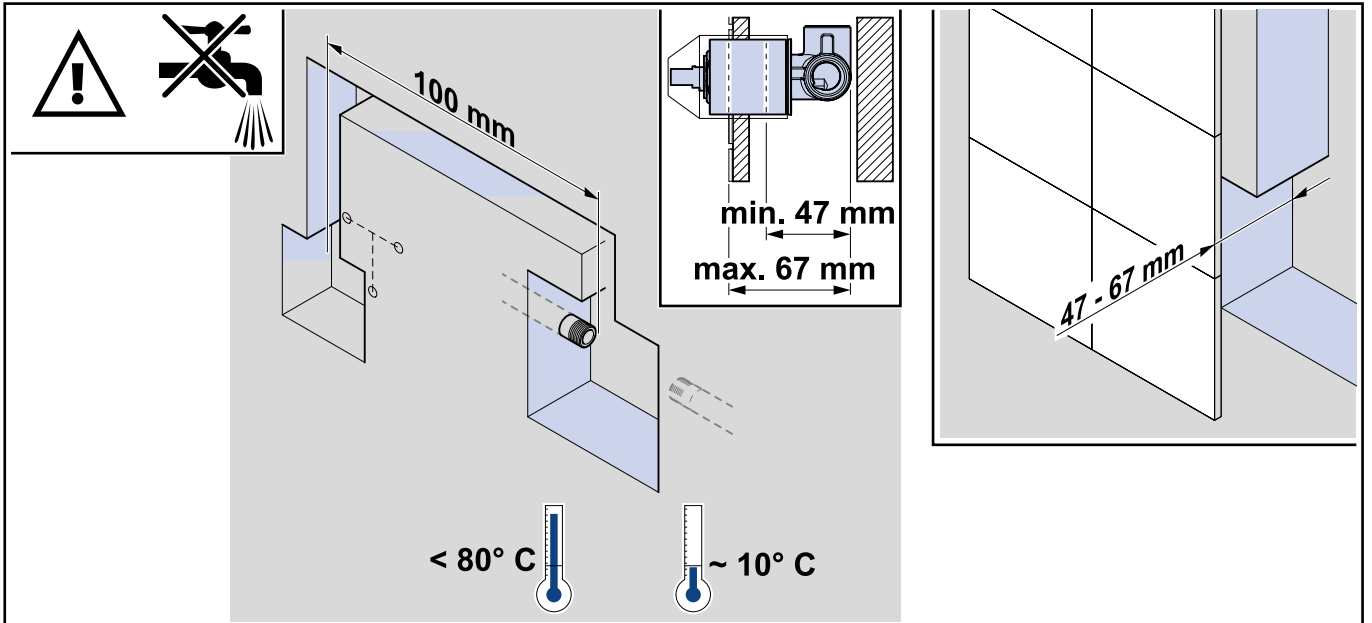
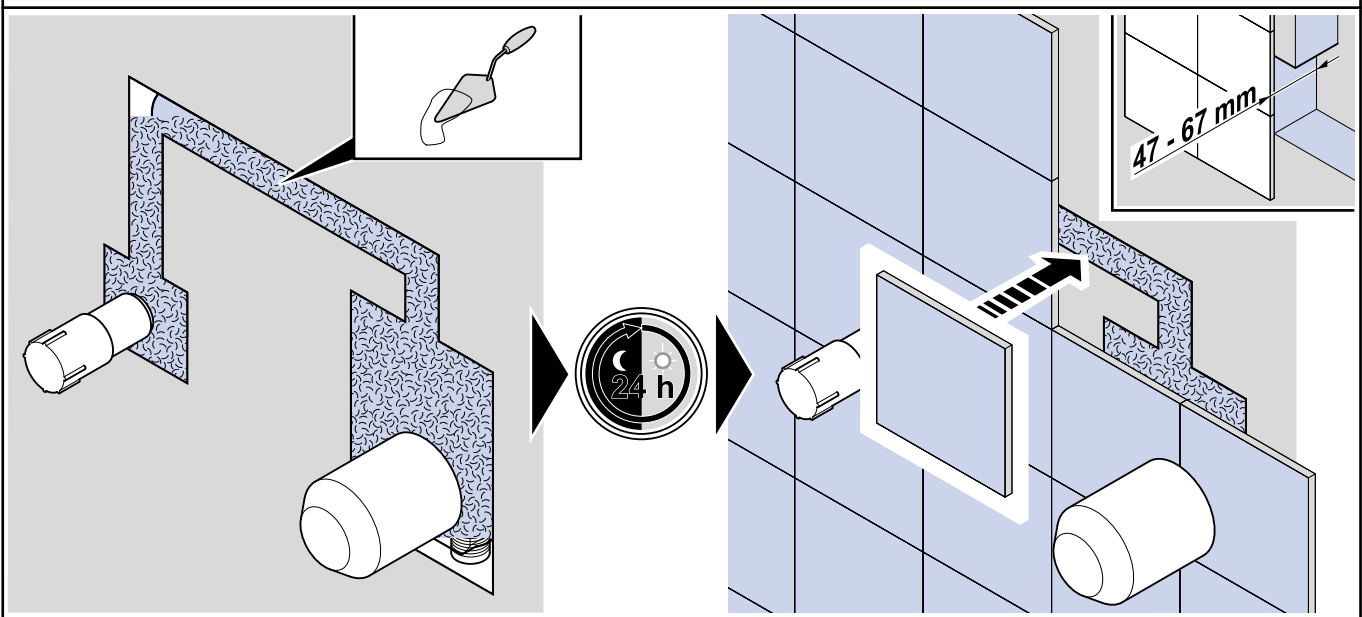
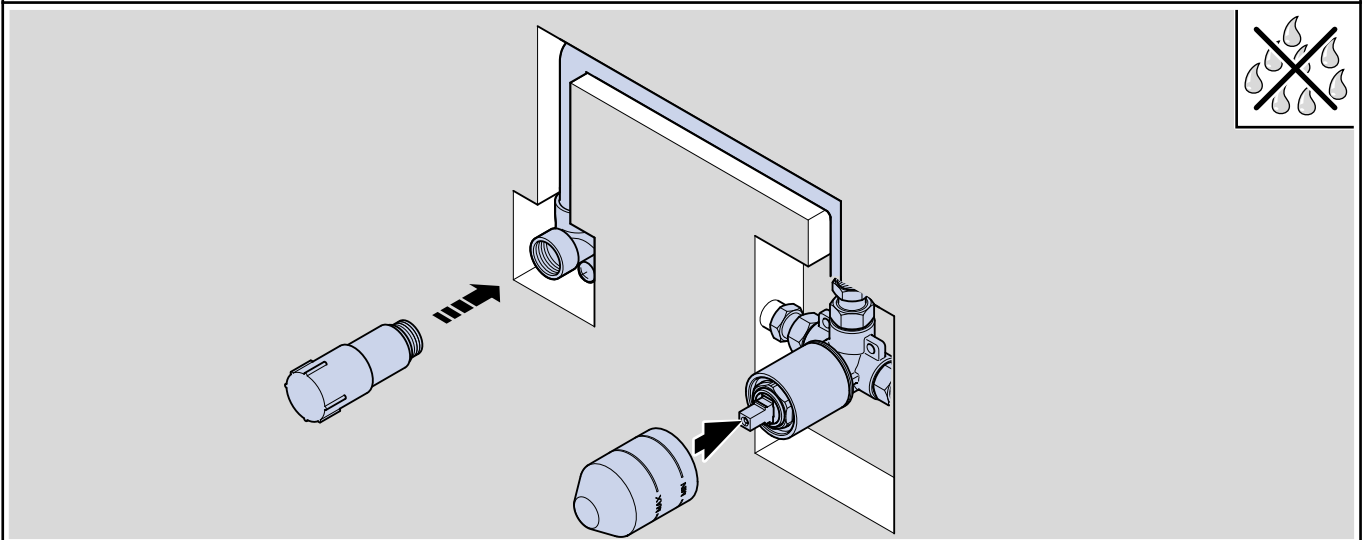
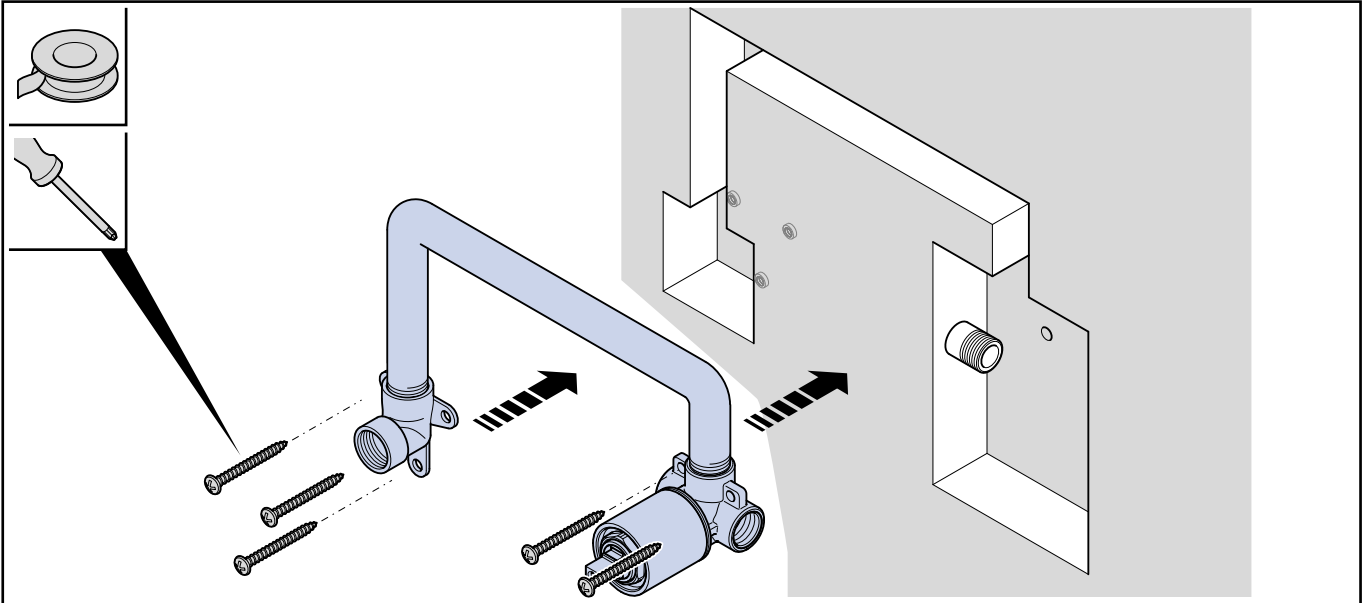


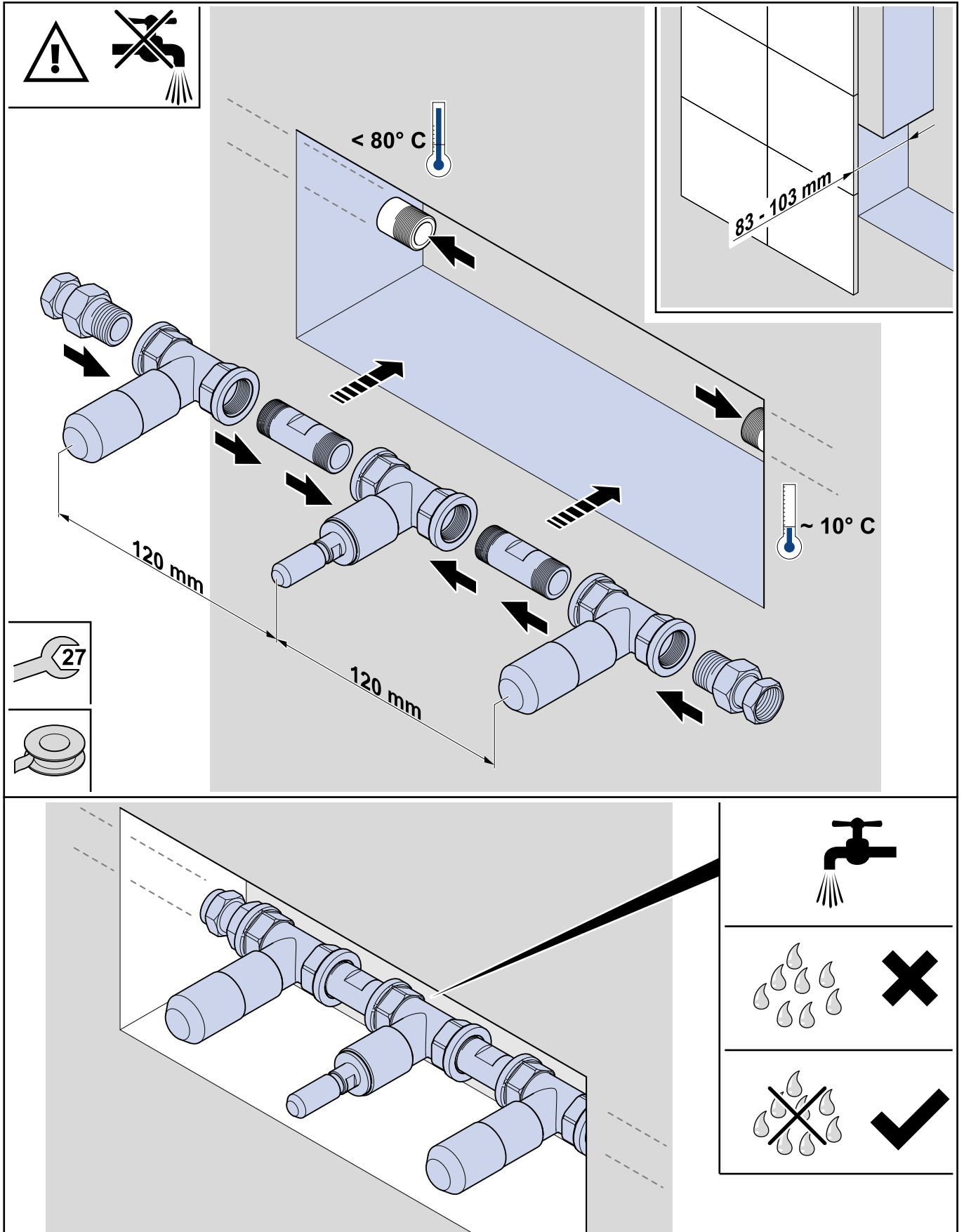
# Dawn, Loop & Friends

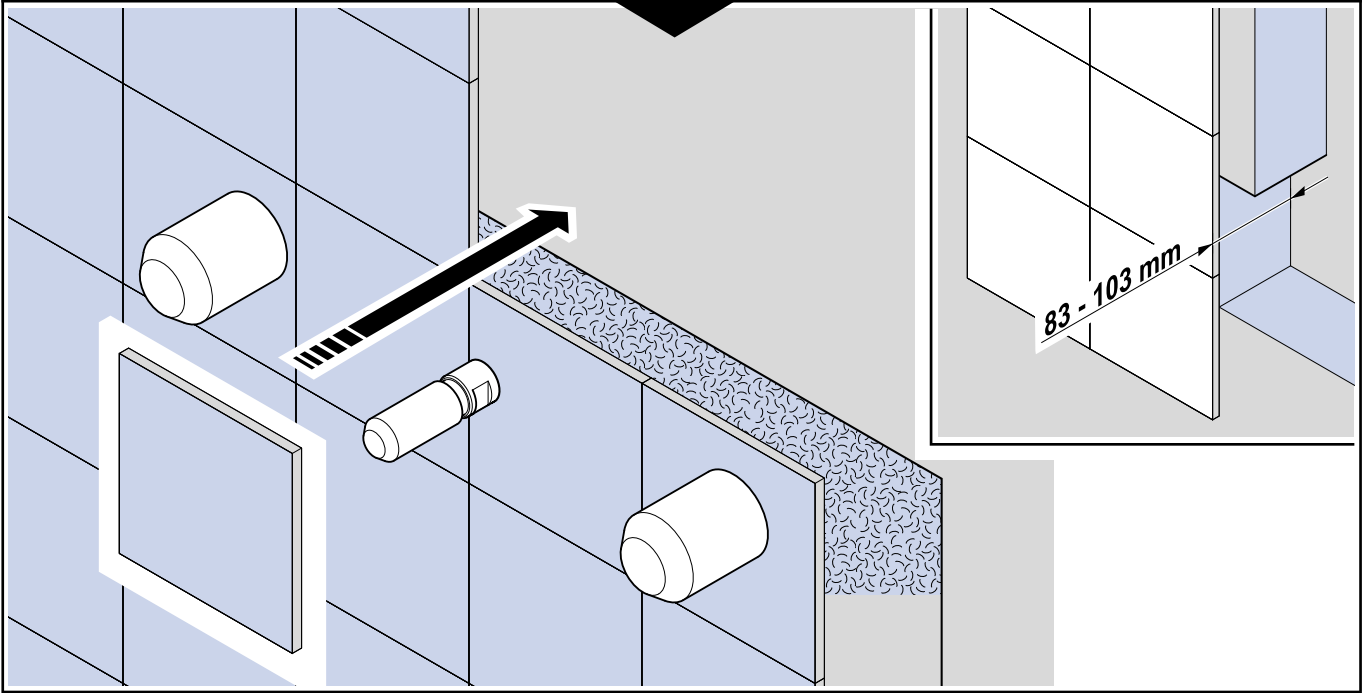
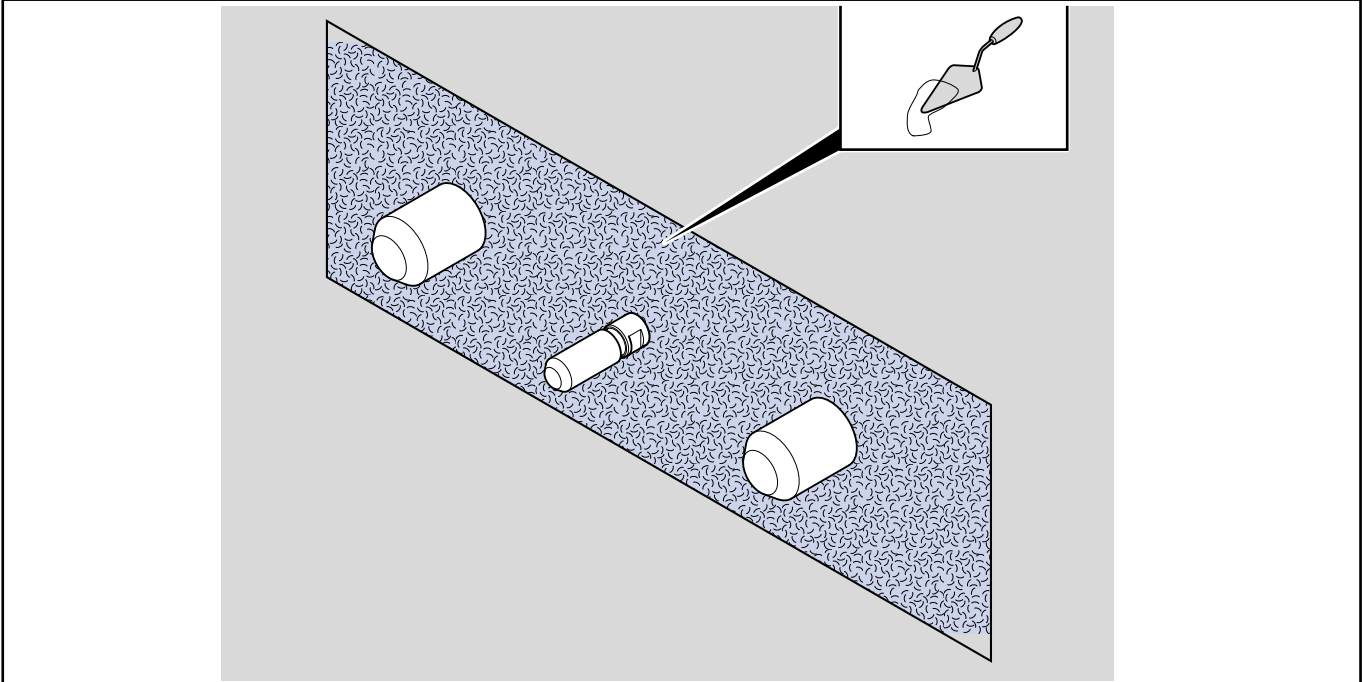


<b>DE</b> Montageanleitung	<b>IT</b> Istruzioni per il montaggio	TVW10610B15000
<b>FR</b> Instructions de montage	<b>PL</b> Instrukcja montażu	TVW10610B15200
<b>NL</b> Montagehandleiding	<b>ZH</b> 安装说明	TVW10611B15161
<b>ES</b> Instrucciones de montaje		
<b>EN</b> Installation instructions		









# VILLEROY & BOCH

GERMANY

*Villeroy & Boch AG  
Bathroom and Wellness Division  
Headquarters  
66693 Mettlach  
Germany*

*Tel: +49 (0) 68 64 / 81 0*

*Fax: +49 (0) 68 64 / 81 1484*