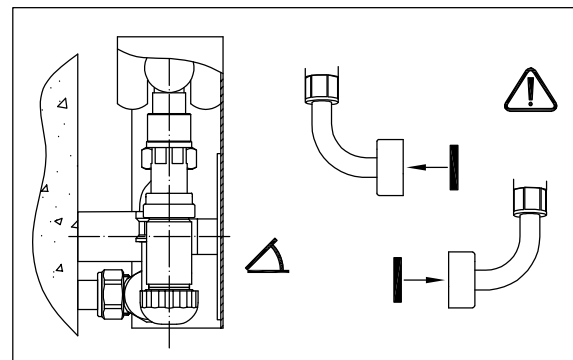
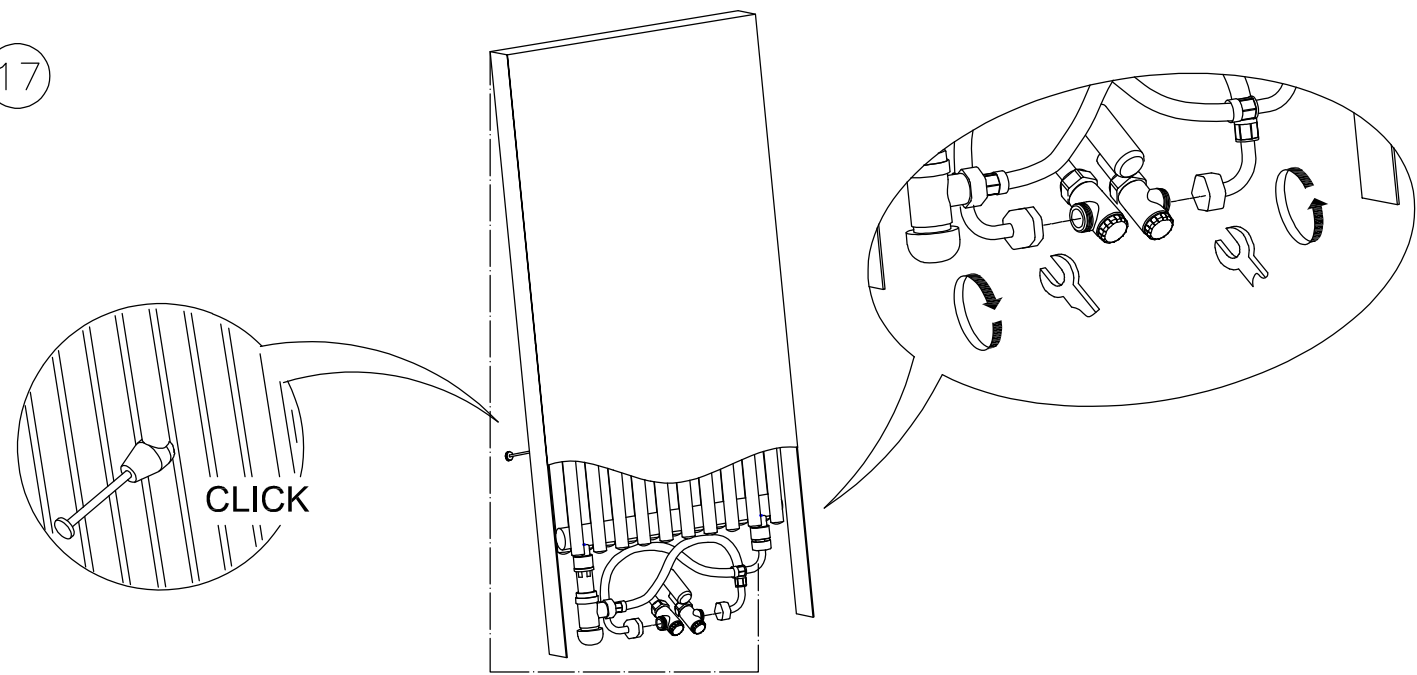
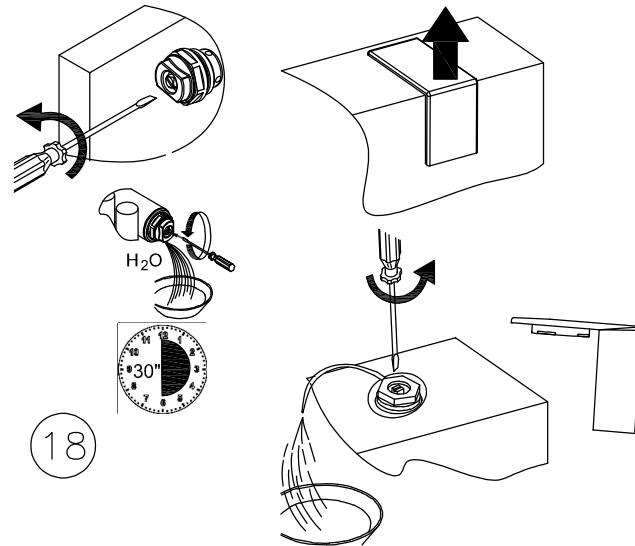


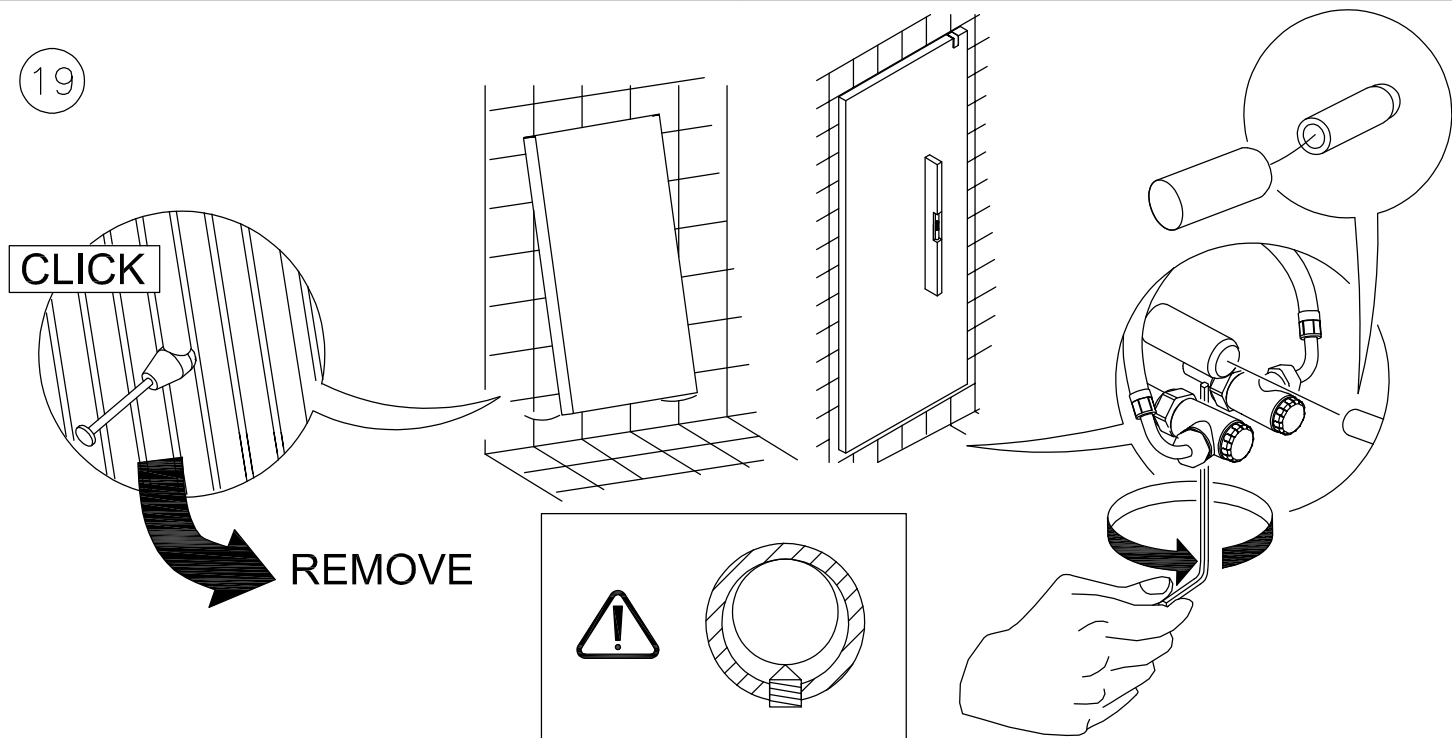
17



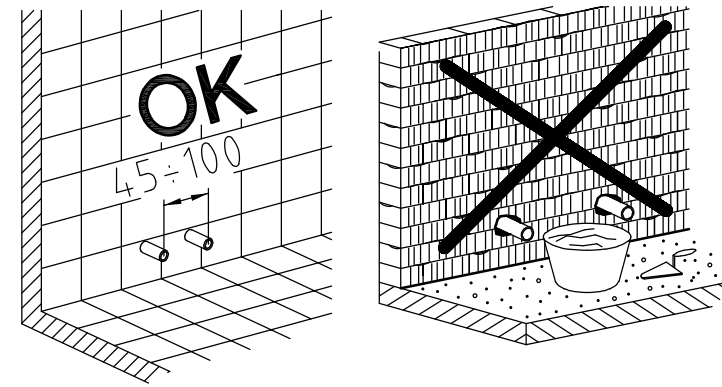
RELAX POWER RELAX OVERPOWER



19

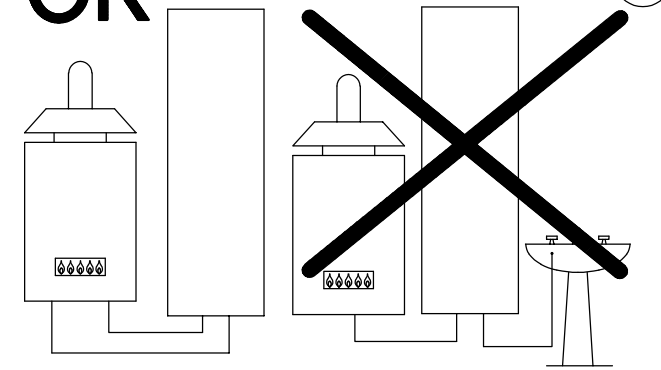


4

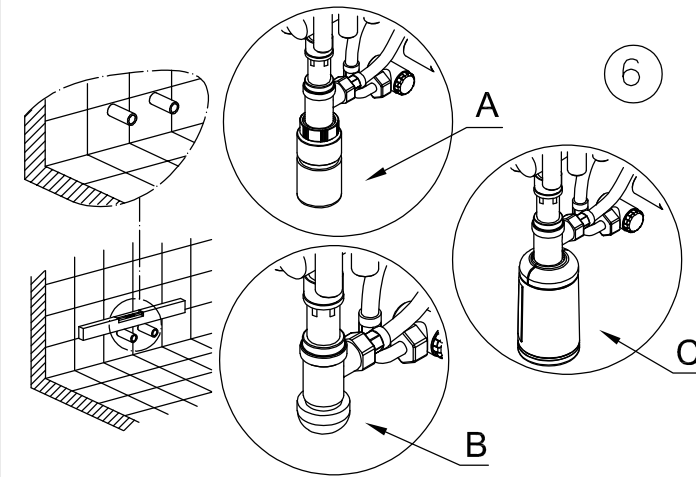


5

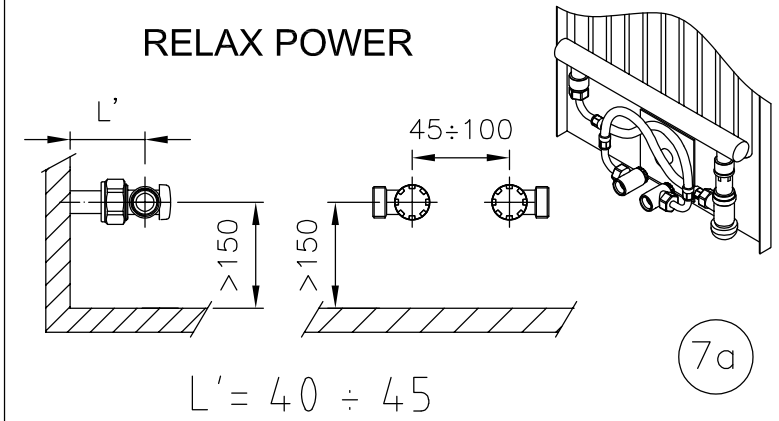
OK



6

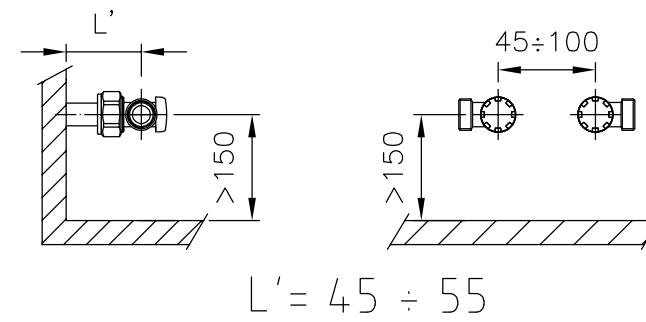


RELAX POWER



7a

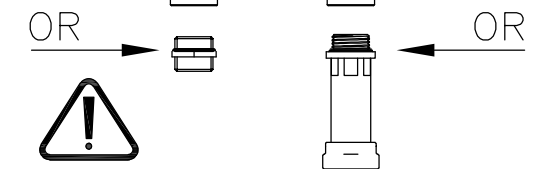
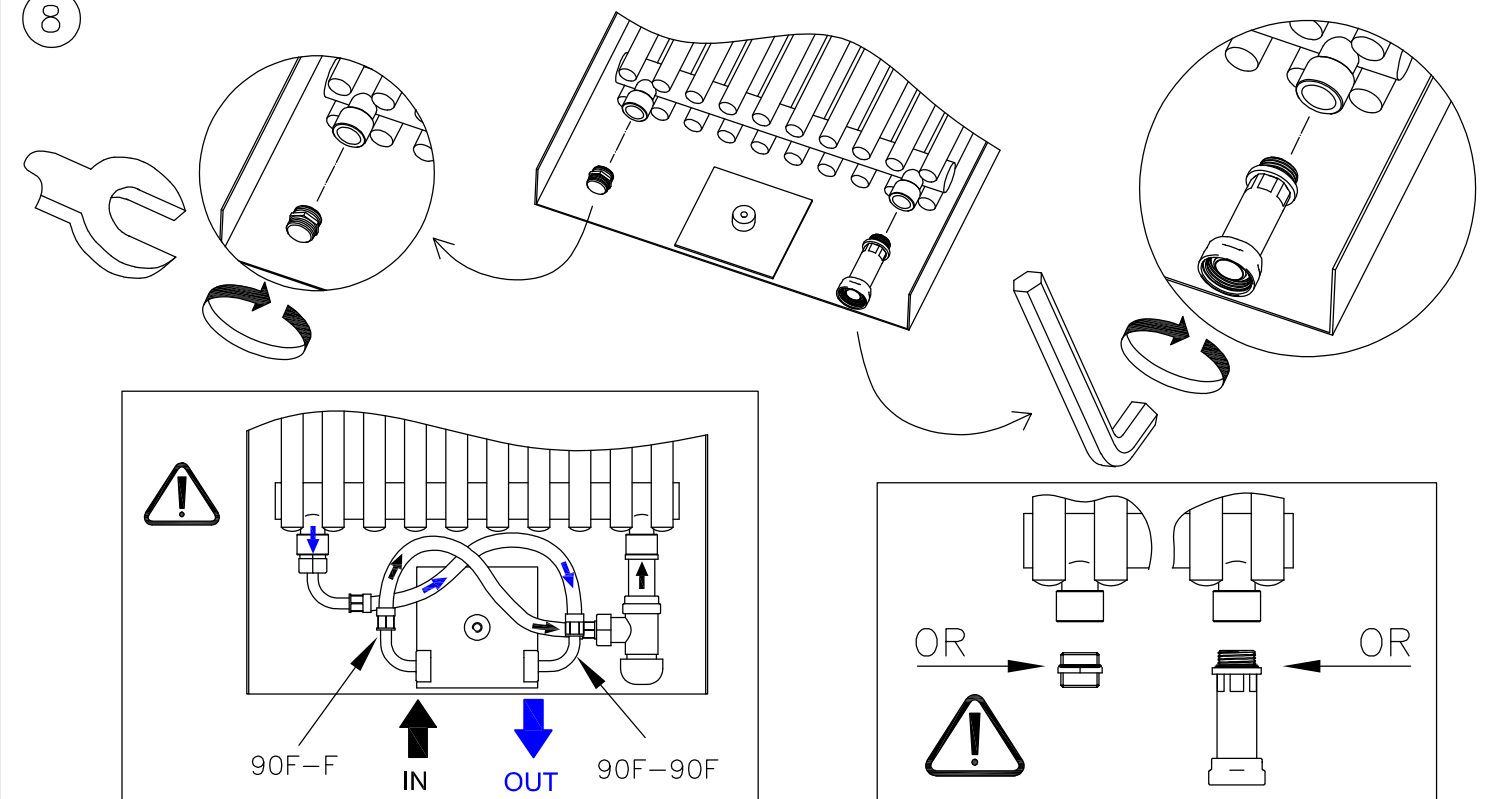
RELAX OVERPOWER

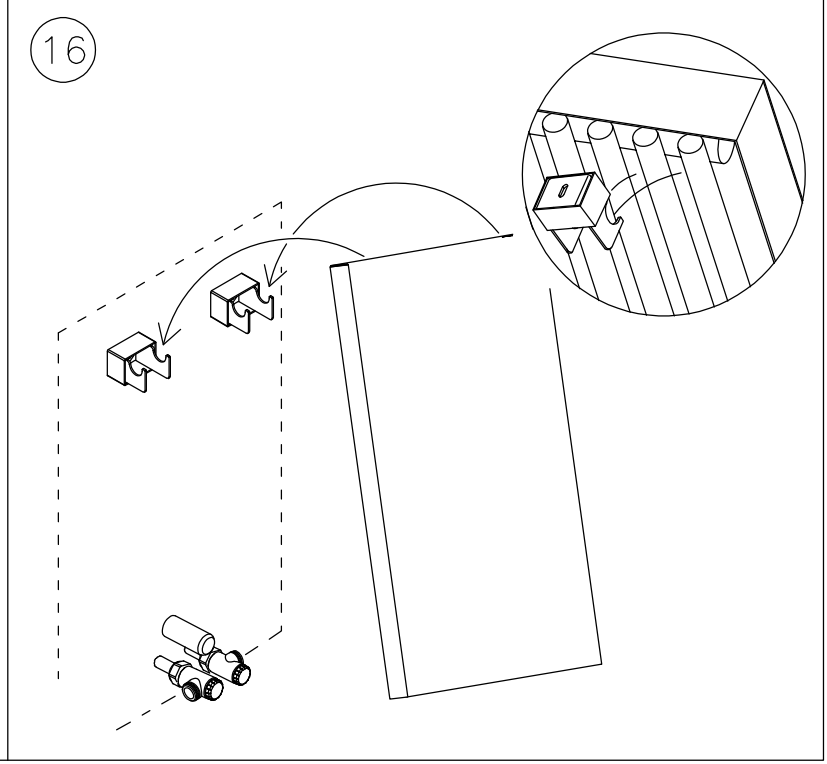
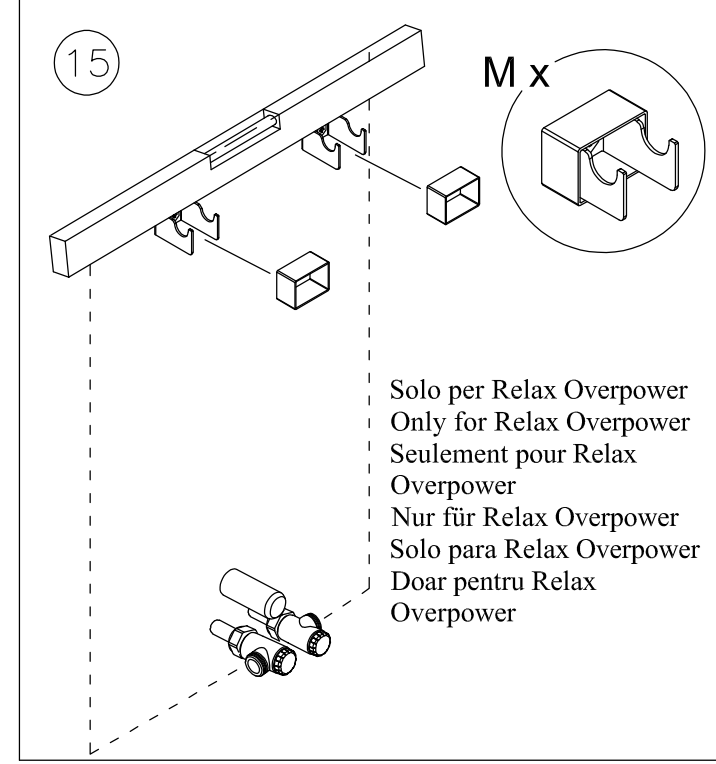
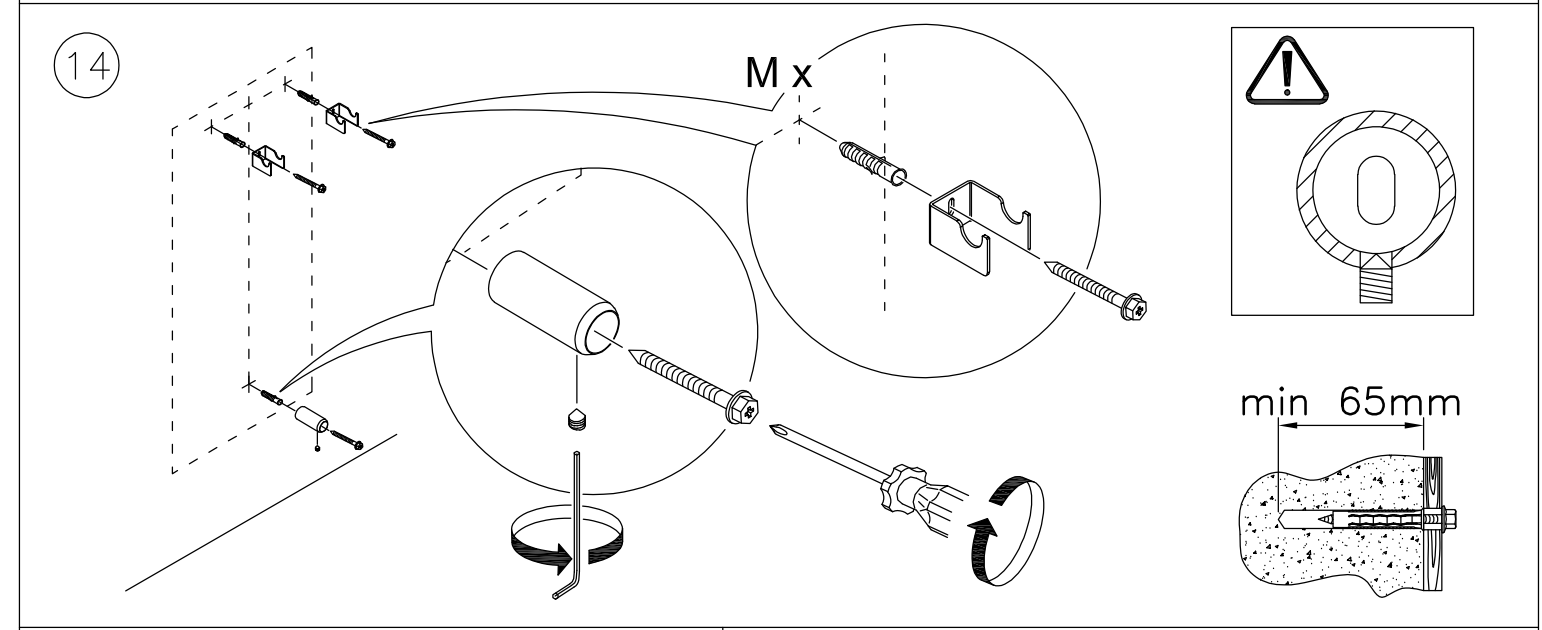
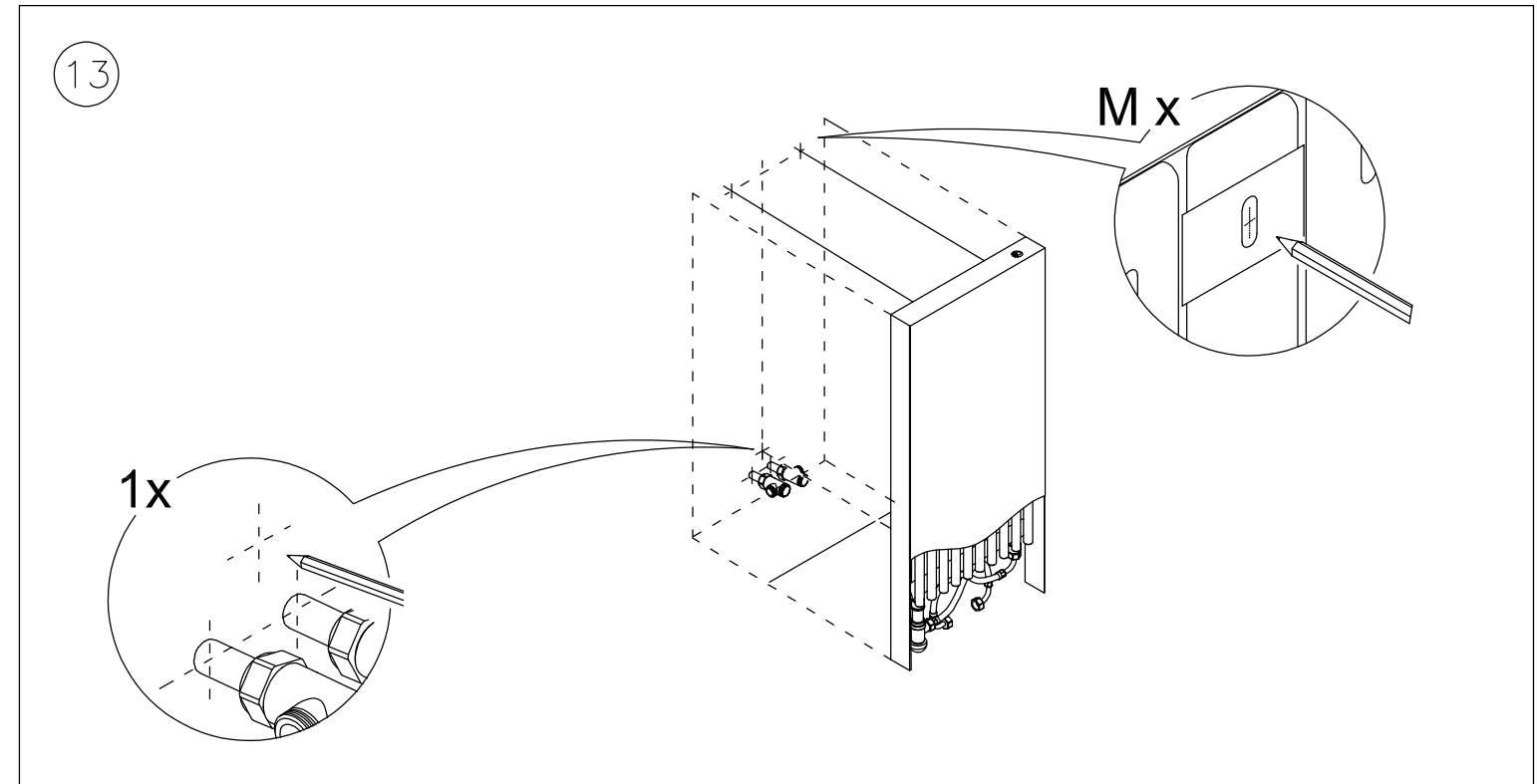
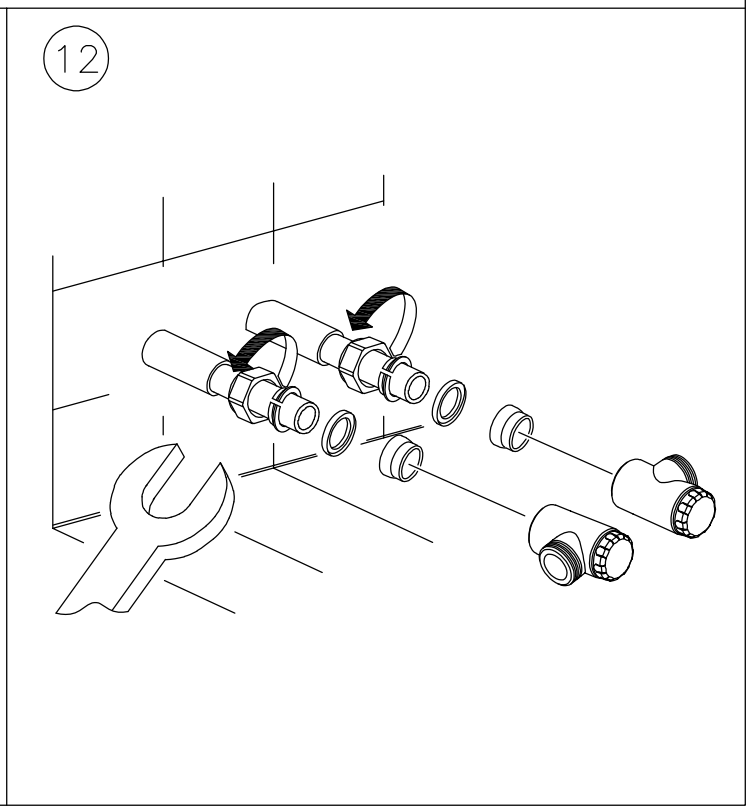
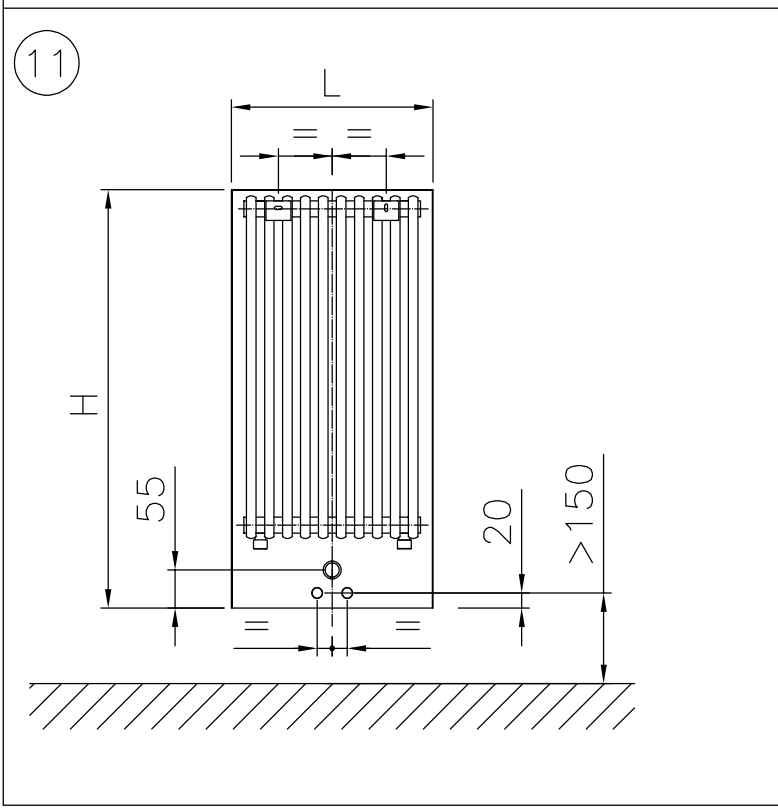
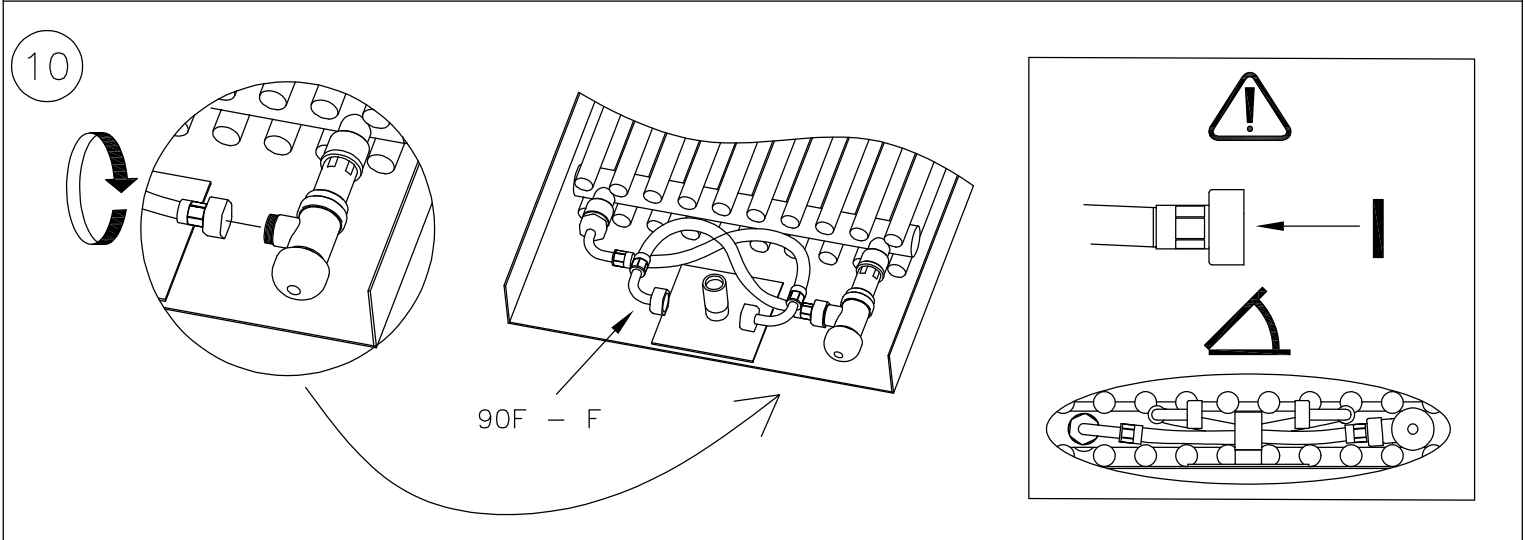
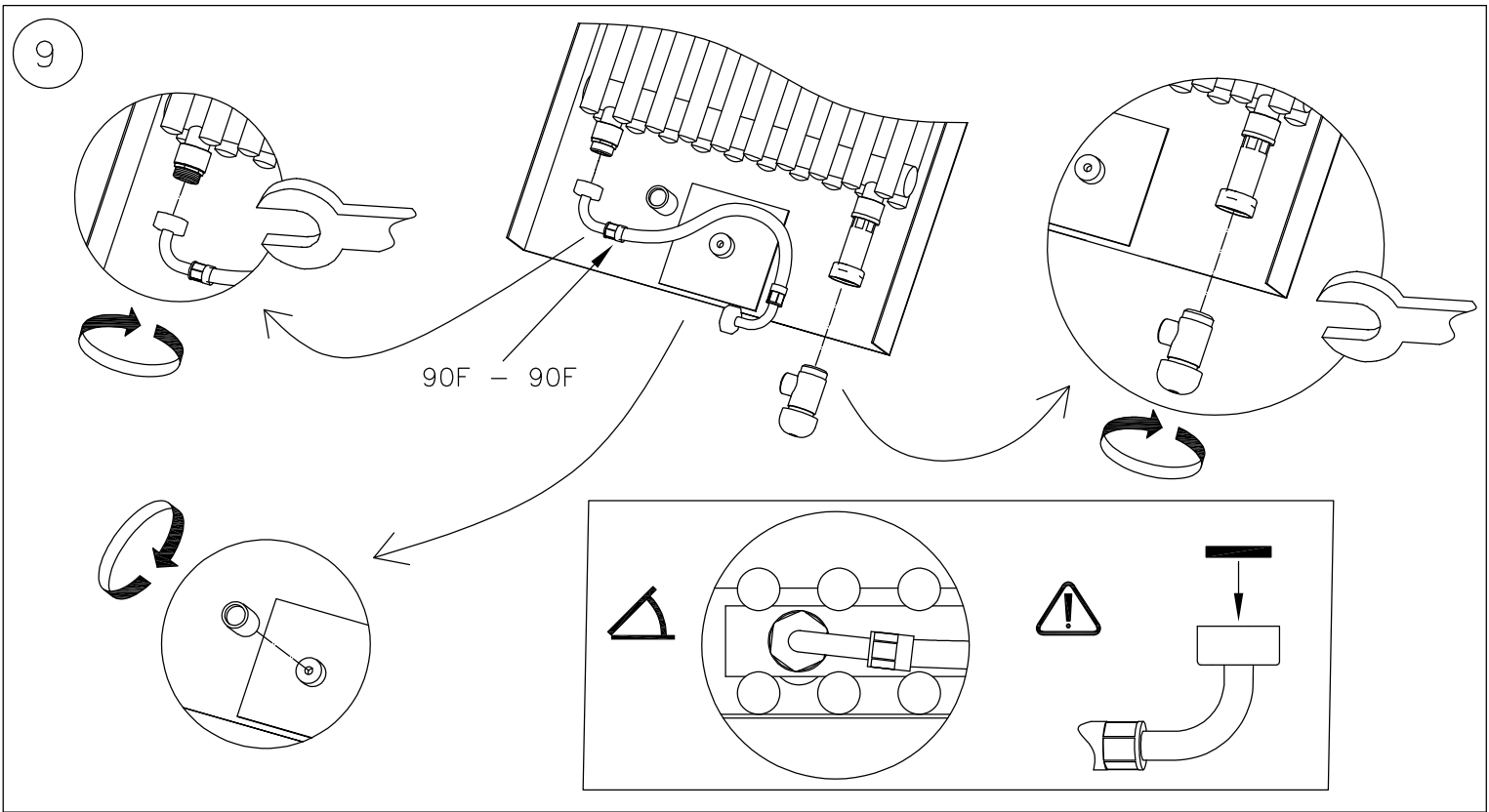


7b

(*):
 ESEMPIO CON RADIATORE
 EJEMPLO CON RADIADOR
 EXAMPLE WITH RADIATOR
 BEISPIEL MIT HEIZKÖRPER
 EXEMPLU CU CALORIFERUL

8





TECHNICAL DATA SHEET Relax Valve



Hydraulic characteristics:

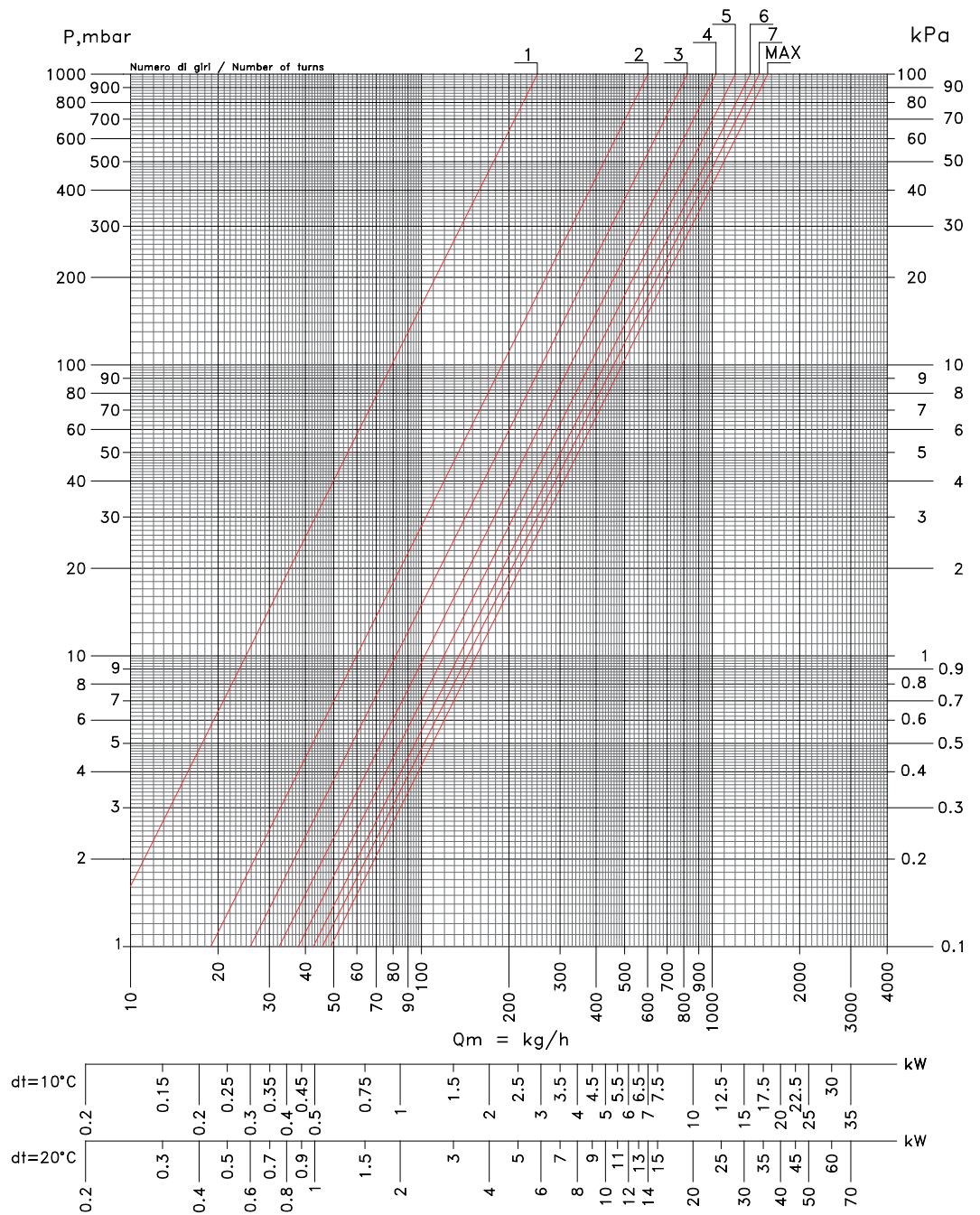
Relax P
Relax OP
Relax Flex
Relax Style

DN15 1/2"

Pre-setting	Kv
N	m ³ /h
 1	0.25
 2	0.60
 3	0.82
 4	1.03
 5	1.20
 6	1.35
 7	1.45
Kvs	1.55

The diagrams show the values of pressure losses of the valve with presetting in the various positions installed manually.

PRESET DN 15 1/2"



Note: To avoid excessive noisiness in the circuit, avoid using thermostatic valves with Δp values of more than 0,2 - 0,25 bar [20-25 kPa].