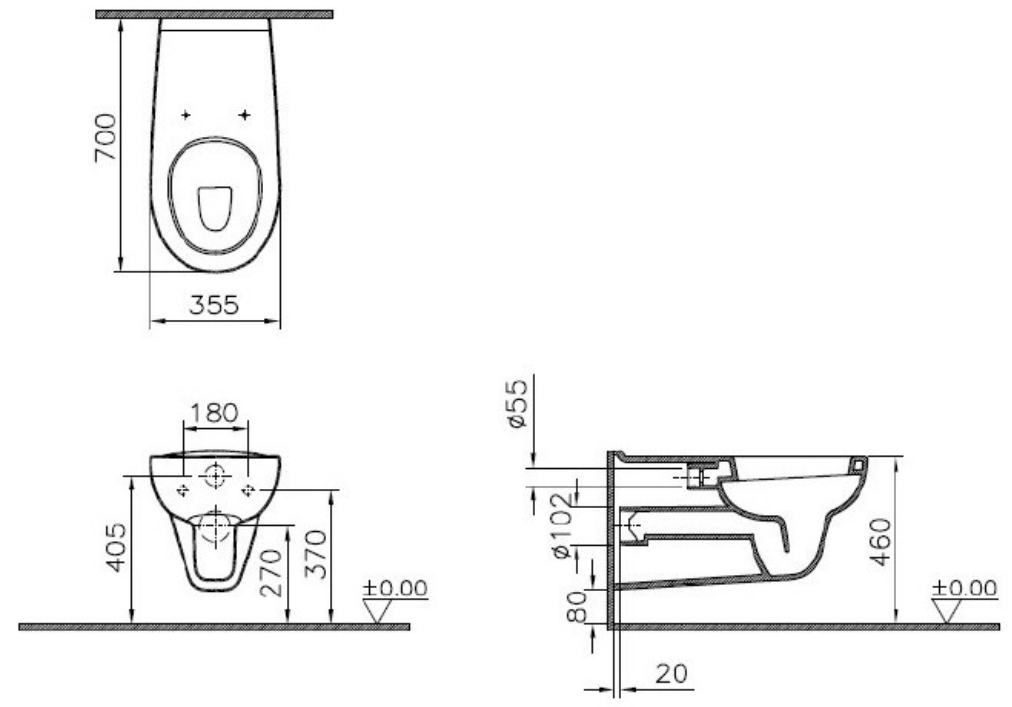
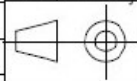


Theoretic Mass(kg)	Revision
Surface Area(dm ²)	A4

Thread	Hole	Shaft



1	1	WC pan		5811	Ceramic				
Item	Quantity	Part Name		Drawing No	Material	Material Class			
					Ceramic	Material Class			
					WC pan				
01	Replaces Drawing Date 20.10.2013	01.09.2014	GOKHAN	Drawn By	Controlled By	Approved By	Date	Drawing No	Scale
RS	Description	Date	NAME	C.GULTER	H.TURKOZ	S.VEDAT SARIGOL	20.10.2013	5811	1/20



This drawing can only be used for the intended purposes. Unauthorized copying is strictly prohibited.