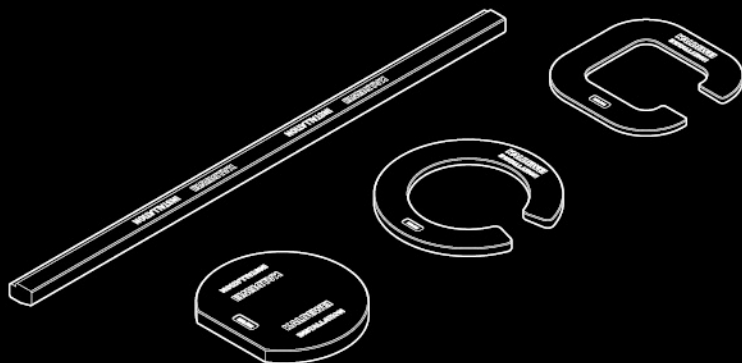


KALDEWEI

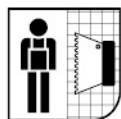
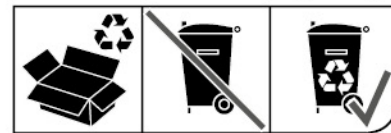
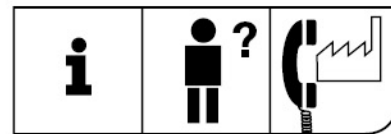
WANNENTRÄGER EXTRAFLACH LOW PROFILE-SUPPORT | SUPPORT EXTRA PLAT SUPPORTO RIBASSATO | SOPORTE EXTRAPLANO



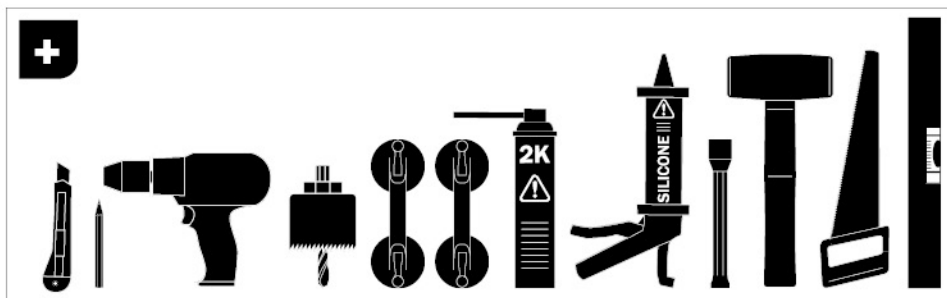
2

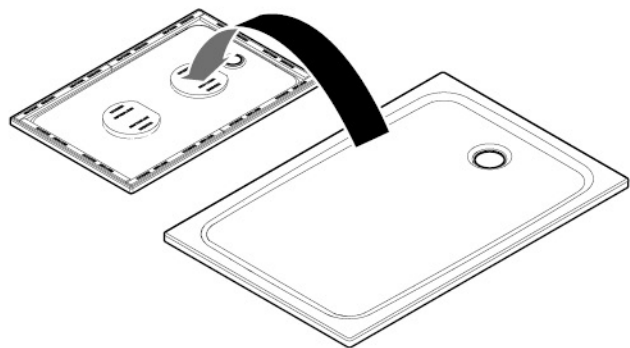
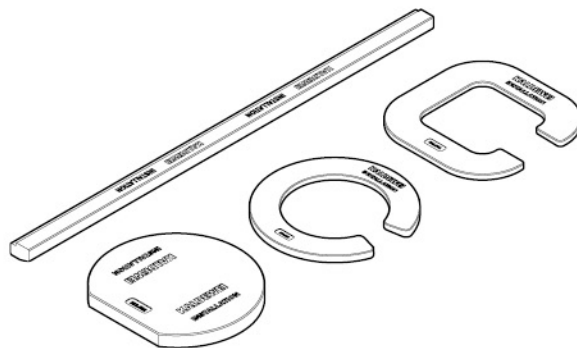
DE Montageanleitung | EN Installation instructions

NL Montagehandleiding | FR Instructions de montage | IT Istruzioni di montaggio
ES Instrucciones de montaje | PT Instruções de montagem | DA Monteringsvejledning
NO Monteringsanvisning | SV Monteringsanvisning | FI Asennusohje | ET Paigaldusjuhised
LV Montāžas instrukcija | LT Montavimo instrukcija | PL Instrukcja montażu | CS Návod k montáži
RU Инструкция по монтажу | UK Інструкція з монтажу | SK Návod na montáž | HU Összeszerelési utasítás | RO Instrucțiuni de montare | SL Navodila za montažo | HR Upute za montažu
BG Ръководство за монтаж | EL Οδηγίες συναρμολόγησης | TR Montaj talimatı | AR بيكرتلا ليلد
ZH 安装说明书 | JA 設置説明書 | KO 조립설명서 | ID Petunjuk perakitan | TH คำแนะนำในการติดตั้ง
VI Hướng dẫn lắp ráp | HI स्थापना निर्देश

1.**2.**

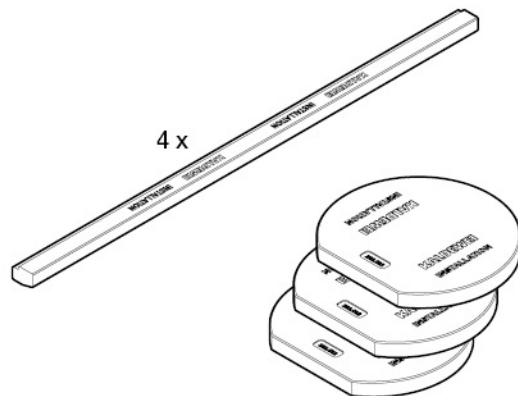
DIN 18 157
DIN 18 534
DIN 52 460



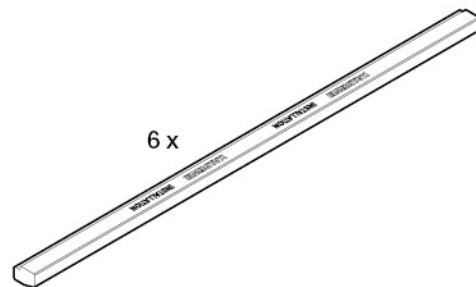
**I****5. - 12.****II****3. - 12.**



A CAYONOPLAN \leq 1200 mm SUPERPLAN \leq 1200 mm

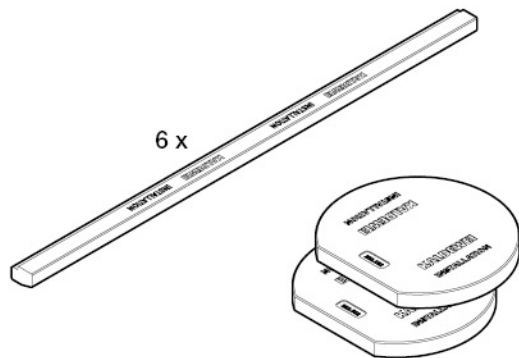


B SUPERPLAN $>$ 1200 mm

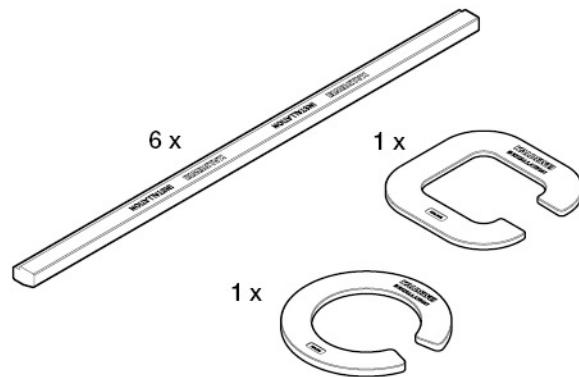




C CAYONOPLAN > 1200 mm



D CONOFLAT SCONA



1



2



a

KA 90
KA 120 / 125

b

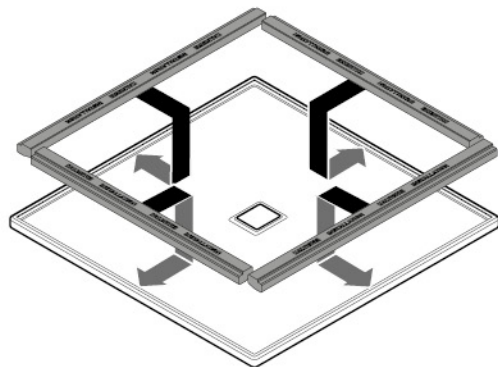
KA 90
KA 120 / 125

WAS 70

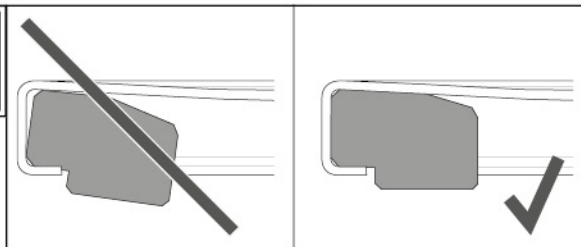
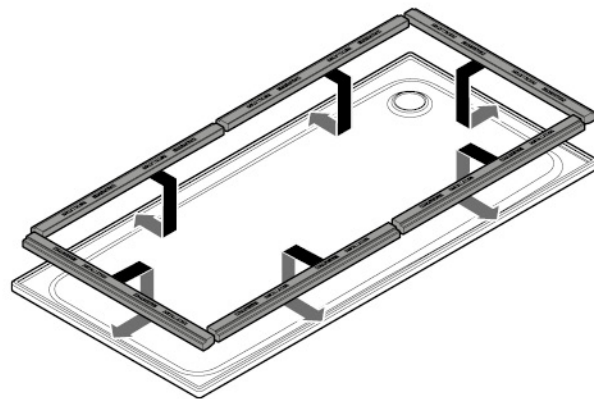


A B C D 3.

≤ 1200 mm



> 1200 mm



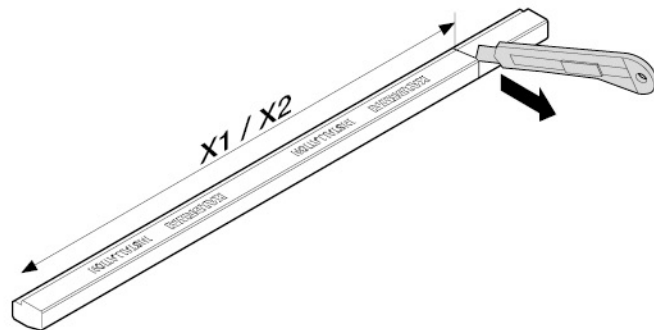
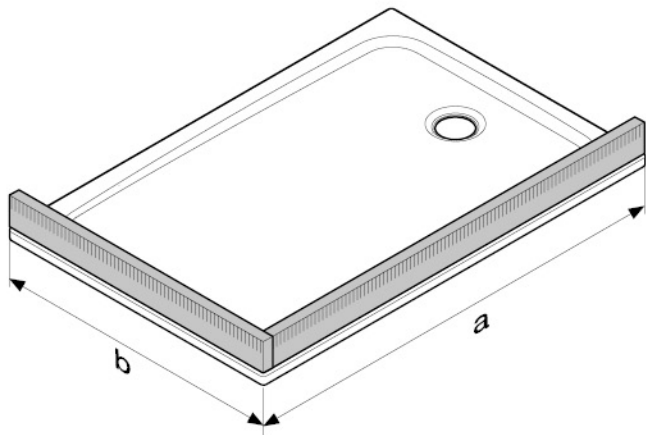
Inch = mm x 0,0394



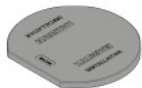
A B C D **i**



!
 $X1 = a - 40 \text{ mm}$
 $X2 = b - 140 \text{ mm}$



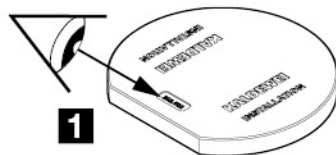
Inch = mm x 0,0394

**A****4.****SUPERPLAN ≤ 1200 mm**

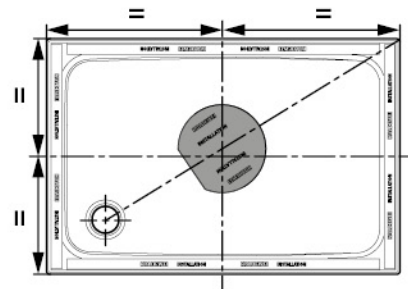
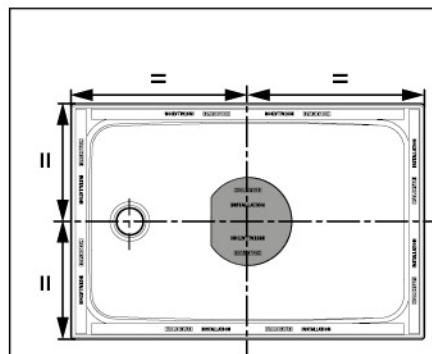
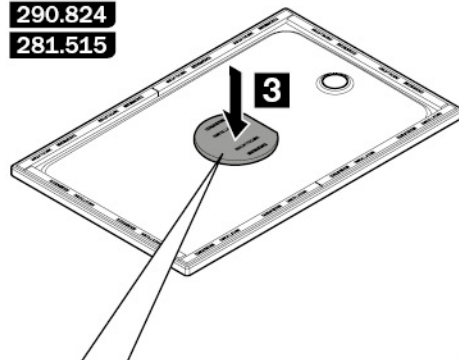
Mod. 385	290.823
Mod. 386	290.824
Mod. 387	290.823
Mod. 388	290.823
Mod. 389	281.515
Mod. 390	290.823
Mod. 391	281.515
Mod. 398	290.823
Mod. 399	281.515
Mod. 400	290.823
Mod. 401	290.823
Mod. 402	290.824
Mod. 403	290.823
Mod. 404	290.824
Mod. 405	290.823
Mod. 406	281.515
Mod. 407	218.515

CAYONOPLAN ≤ 1200 mm

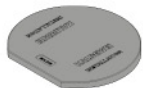
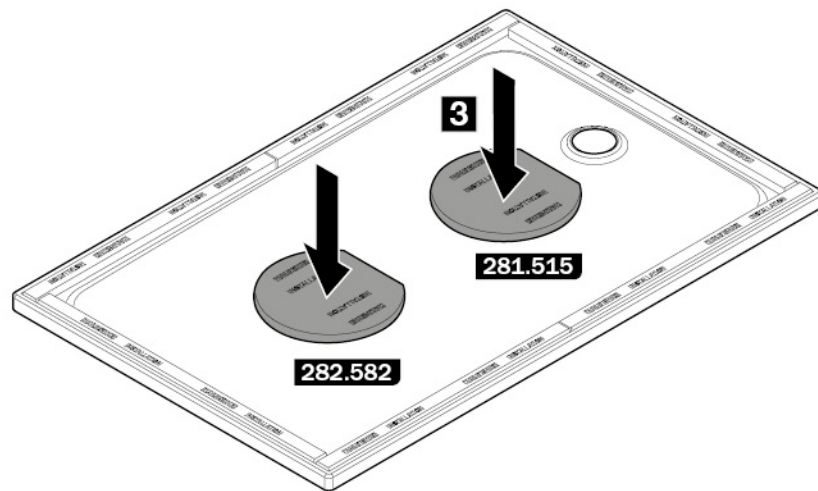
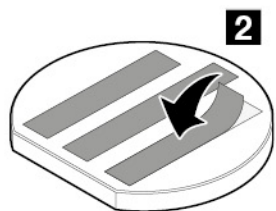
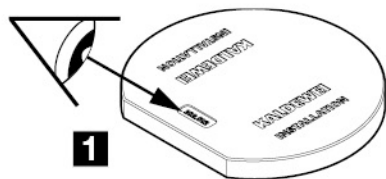
	290.823
--	---------



290.823
290.824
281.515



Inch = mm x 0,0394

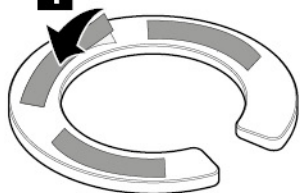
**c****4.**



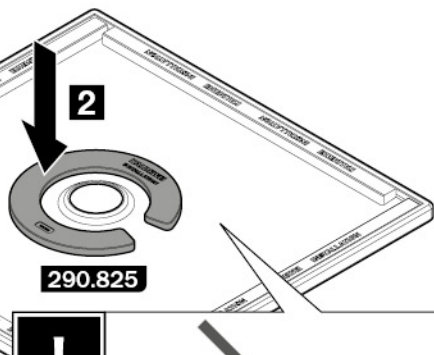
D 4.

SCONA

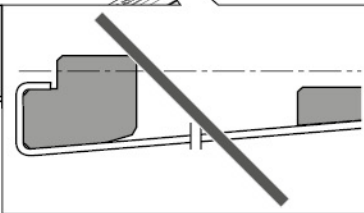
1



2

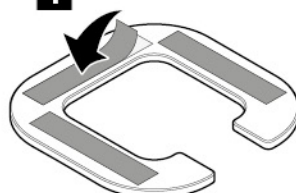


290.825

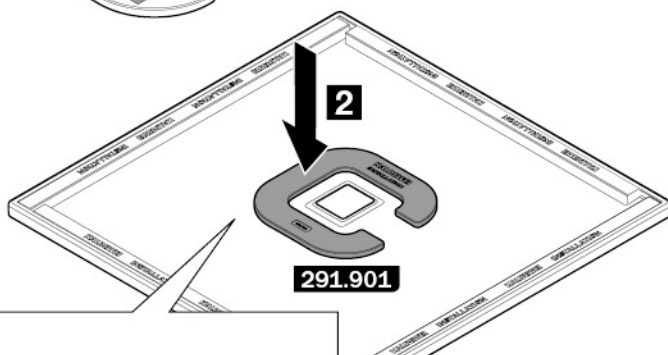


CONOFLAT

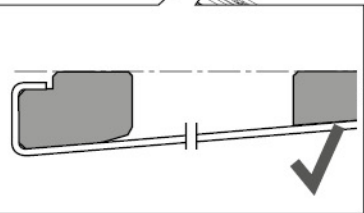
1



2



291.901

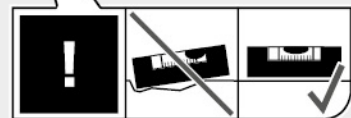
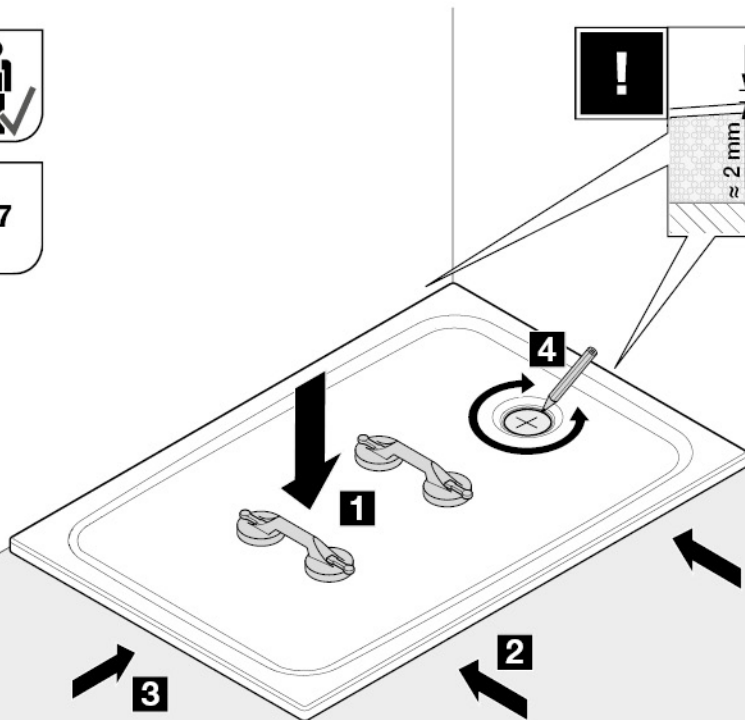
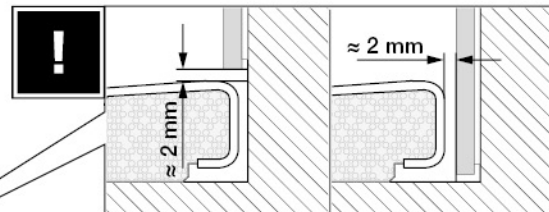




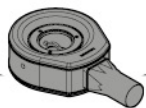
5.



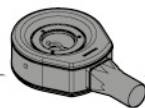
DIN 18 157



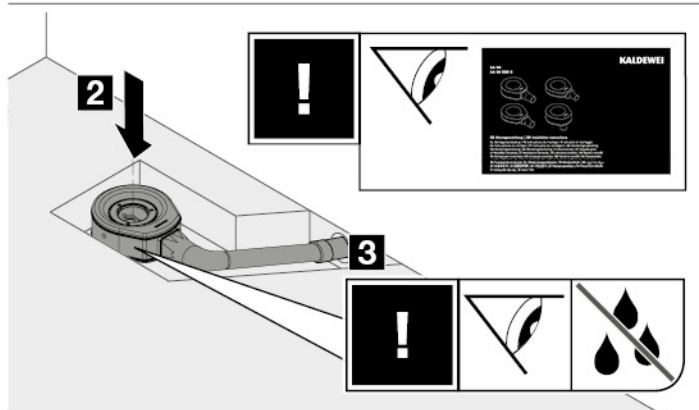
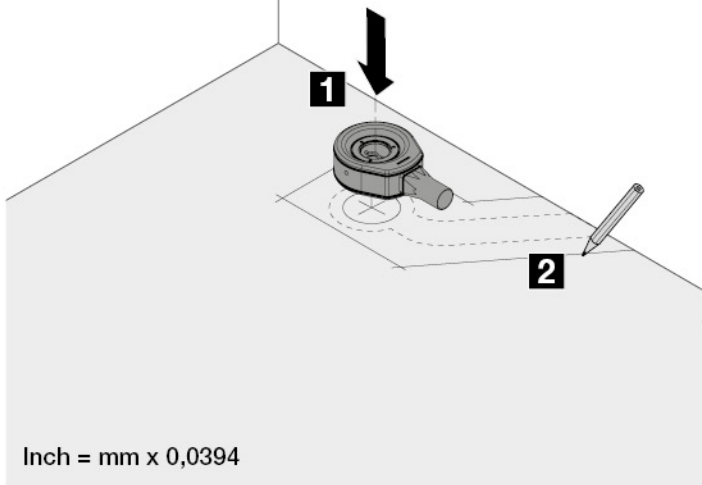
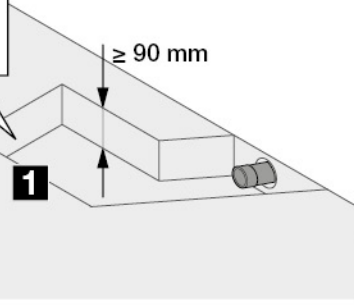
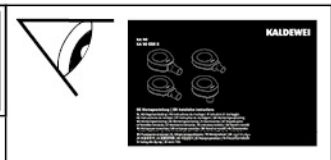
Inch = mm x 0,0394



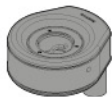
a 6.



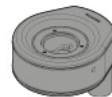
a 7.



Inch = mm x 0,0394



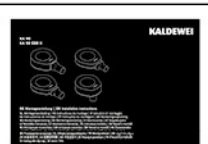
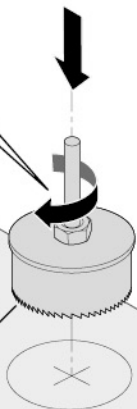
b 6.



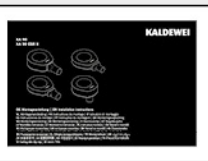
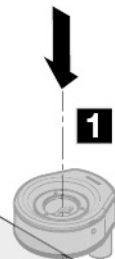
b 7.



$\varnothing \geq 250 \text{ mm}$



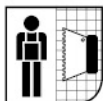
1



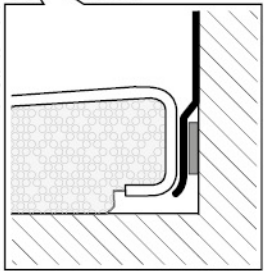
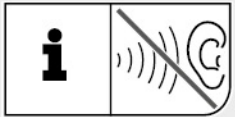
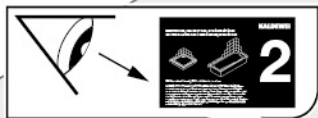
2



Inch = mm x 0,0394

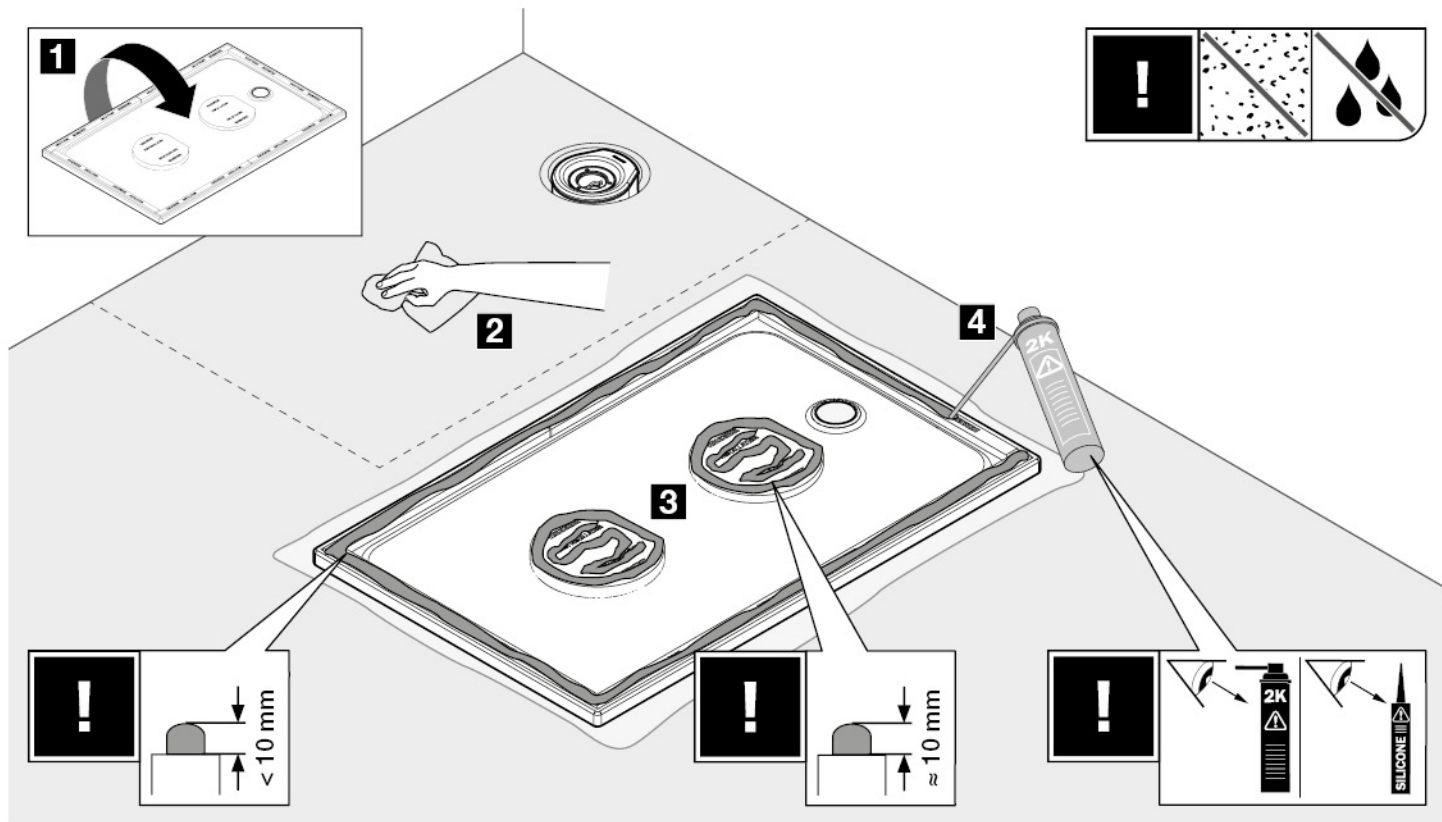
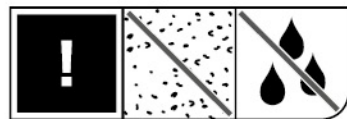
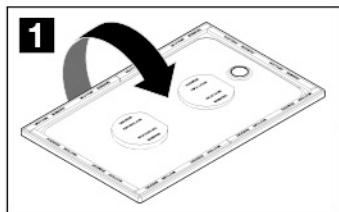


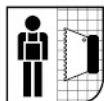
DIN 18 534



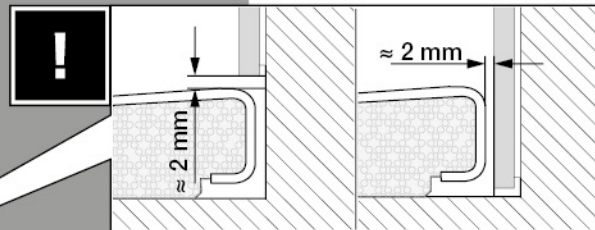
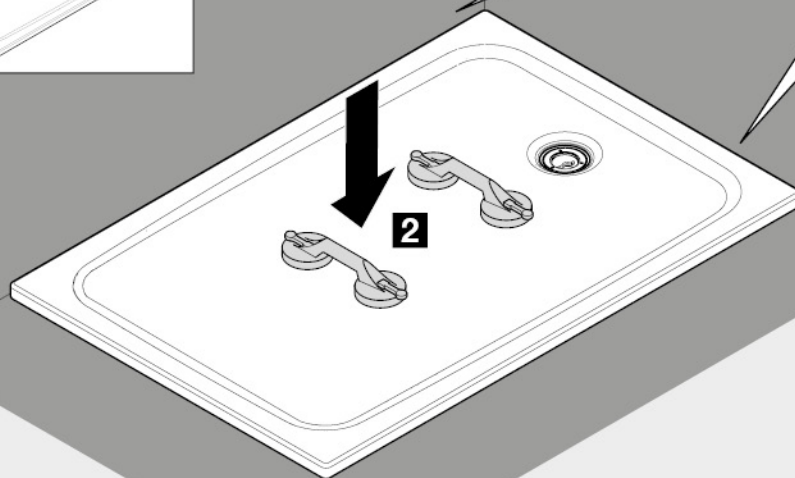
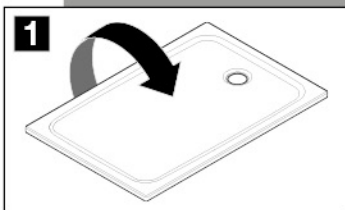


8.





9.



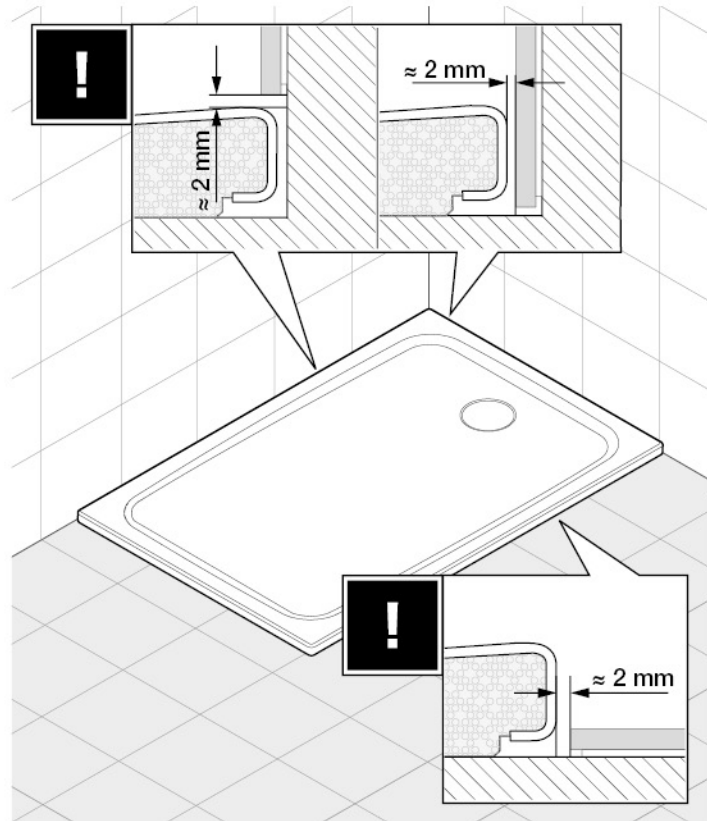
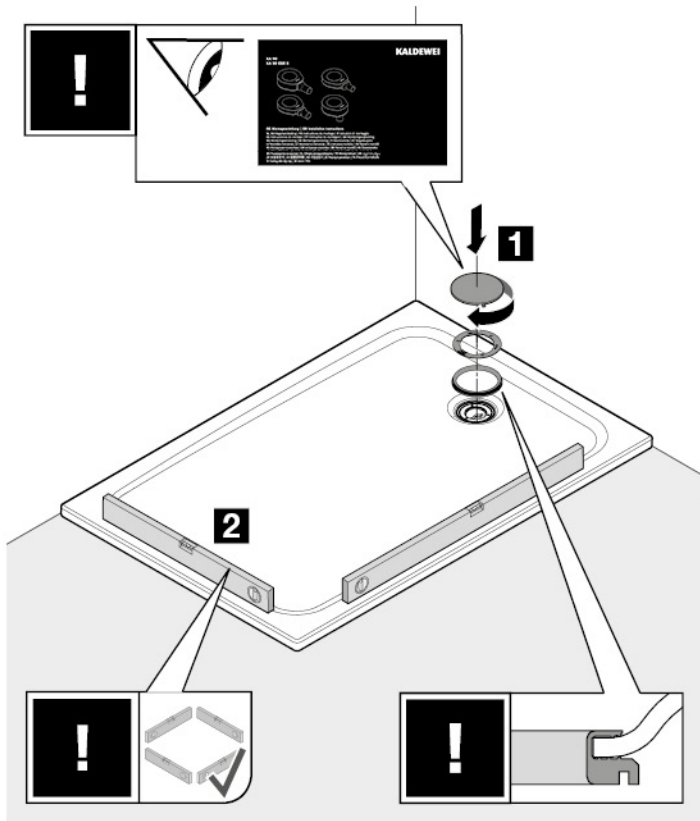
Inch = mm x 0,0394

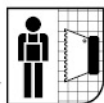


10.

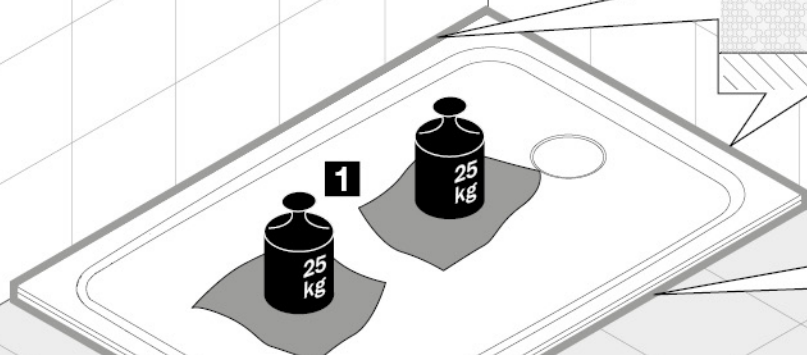
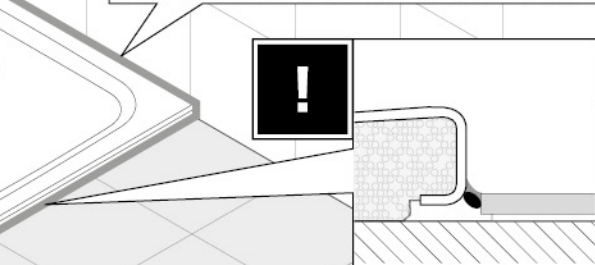
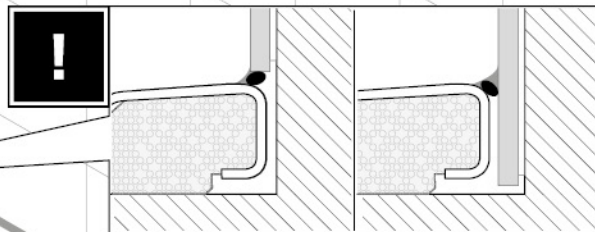


11.





12.





KALDEWEI



Franz Kaldewei GmbH & Co. KG
Beckumer Str. 33-35

D-59229 Ahlen

 +49 2382 785 0

 +49 2382 785 200

www.kaldewei.com

