



**SERIES VZC, VZD**

**ESBE**  
NO.1 IN HYDRONIC SYSTEM CONTROL

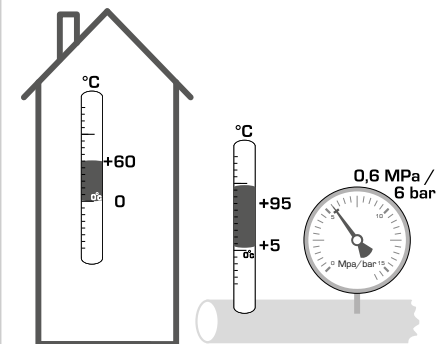
Mtrl.nr: 9814 04 79 • Ritn.nr: 9240 utg. B • Rev. 1605



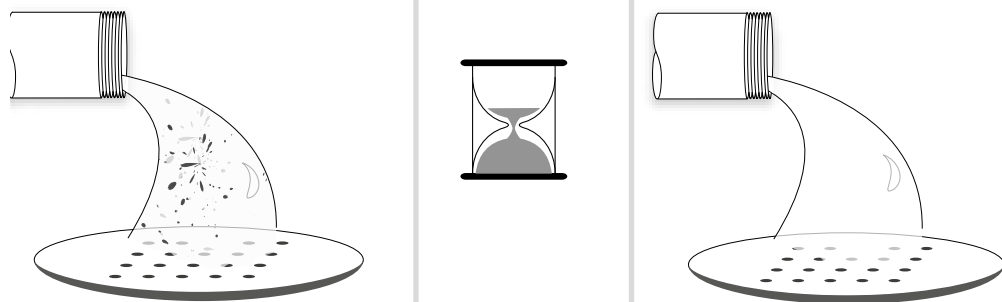
Series VZC151, 161, 152, 162, 253, 263  
Series VZD151, 161, 152, 162, 253, 263

CE

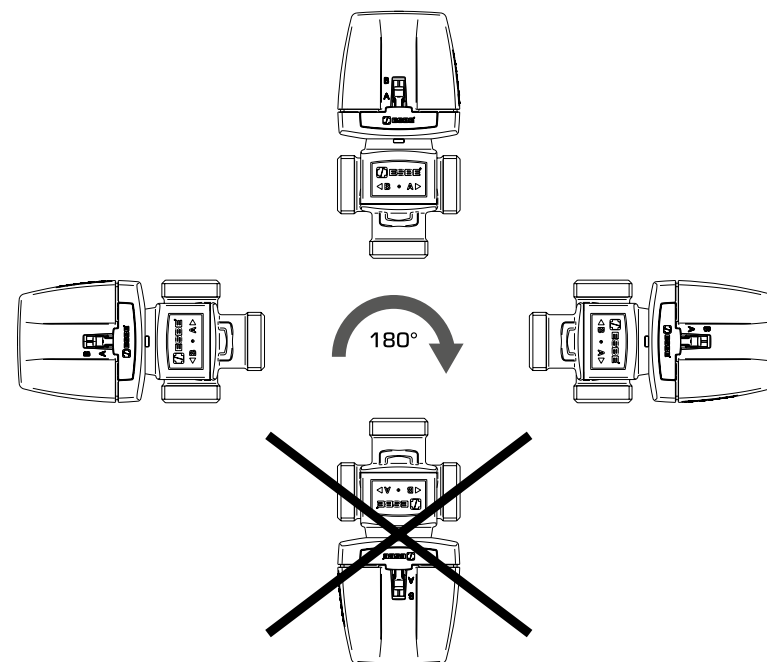
LVD 2014/35/EU  
EMC 2014/30/EU  
RoHS 2011/65/EU  
PED 2014/68/EU, article 4.3



**1**

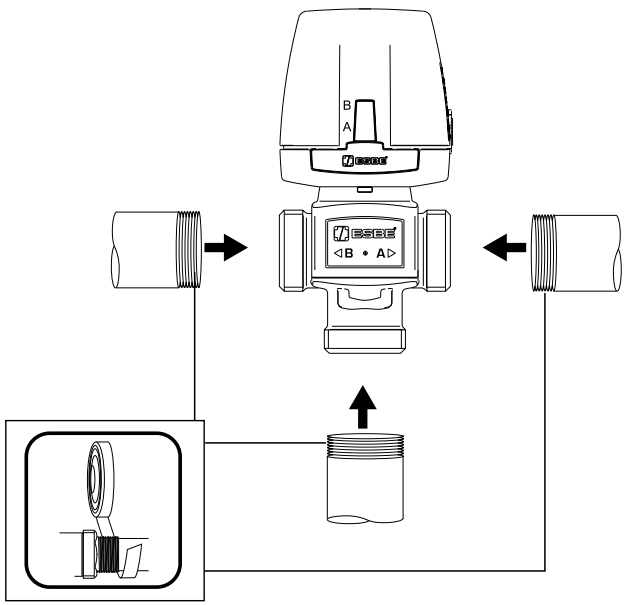


**2**



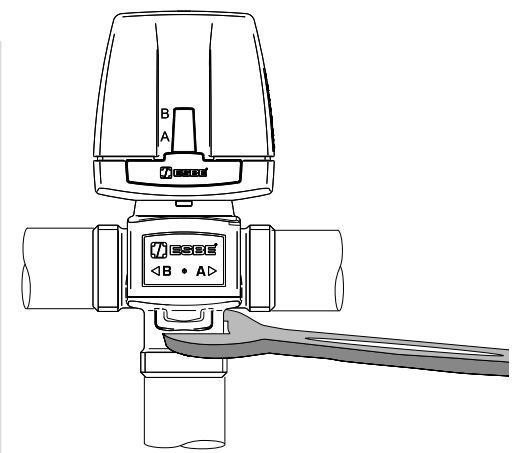
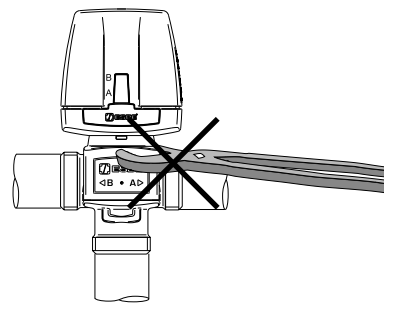
**3**

VZC151/VZC161, VZD151/VZD161

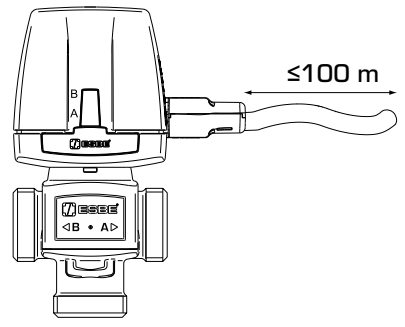
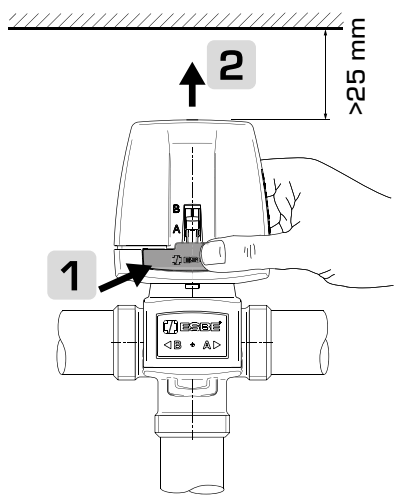
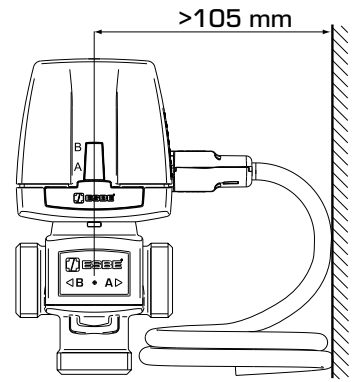


**4**

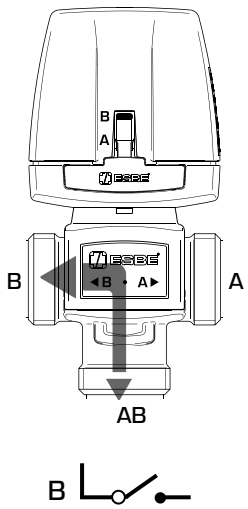
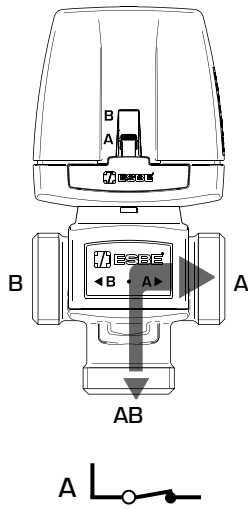
**i**



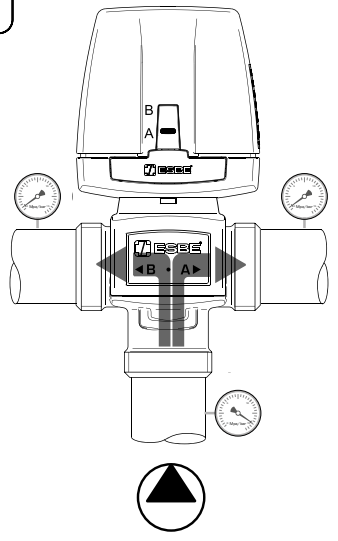
**5**



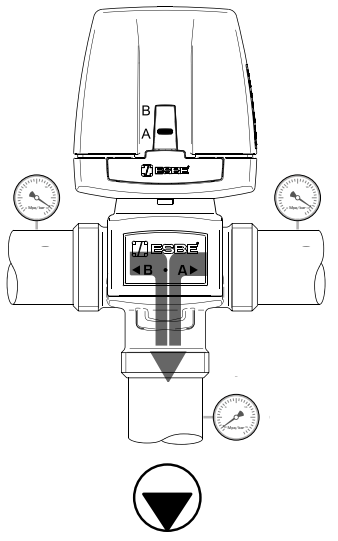
**6**



**7**

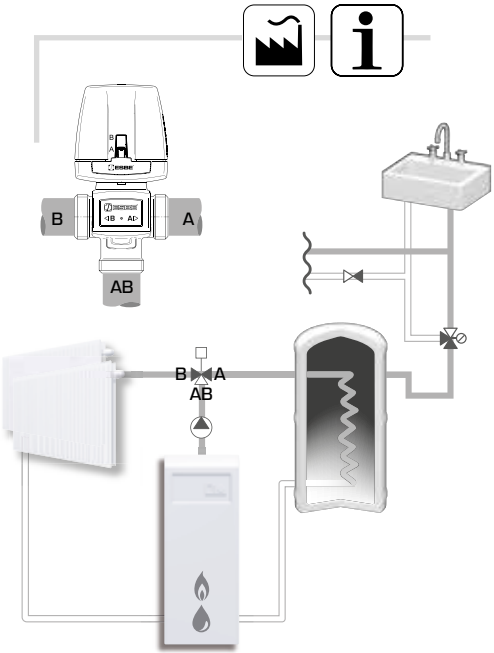


$\Delta P \leq 80 \text{ kPa} / 0,8 \text{ bar}$

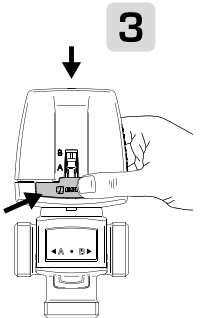
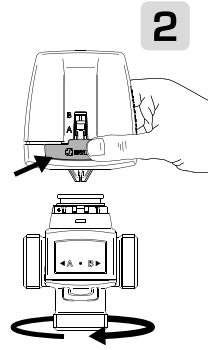
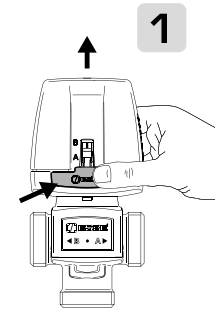
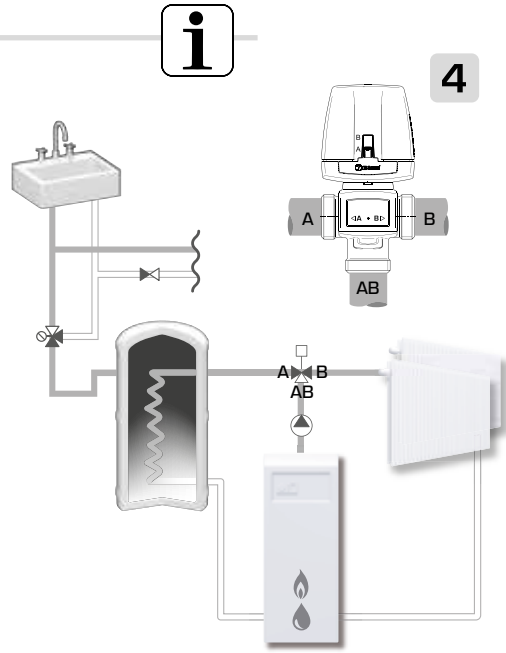


$\Delta P \leq 50 \text{ kPa} / 0,5 \text{ bar}$

**8**

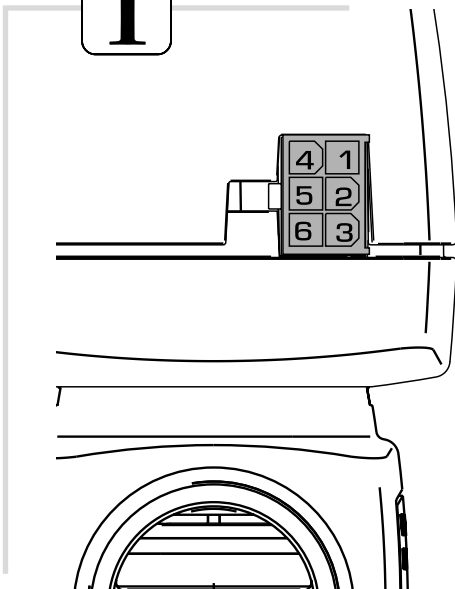
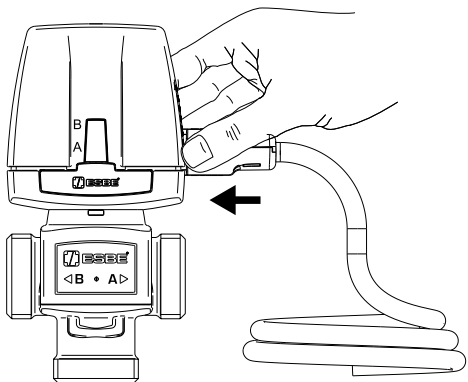


**9**



180°

10

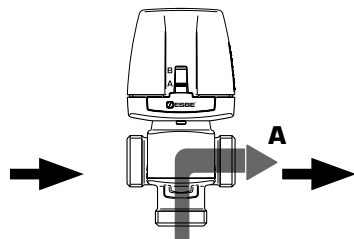
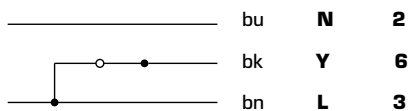


11



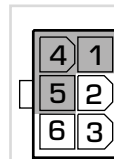
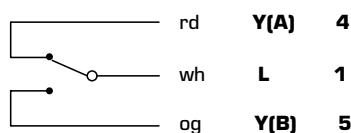
**VZC/VZD 151, 152, 253 — VZC/VZD 161, 162, 263**

— 230 VAC, 50Hz —

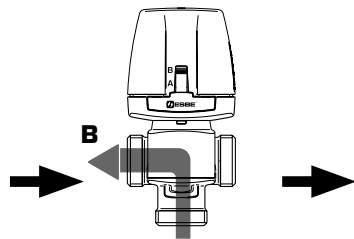


**VZC/VZD 151, 152, 253**

$\frac{2[1]}{250}$  A ~  
250 V



— 230 VAC, 50Hz —



$\frac{2[1]}{250}$  A ~  
250 V

