



HANSAMICRA

Installation and maintenance guide





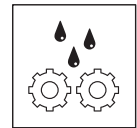
4-5



6-10



11-12



13-17

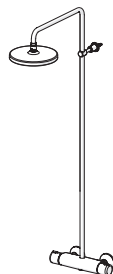
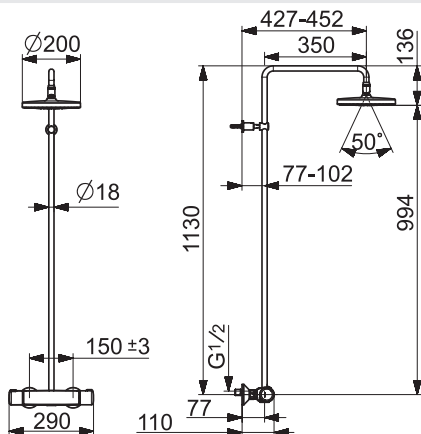


18



4435 0100

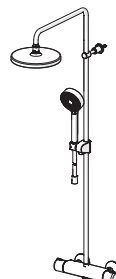
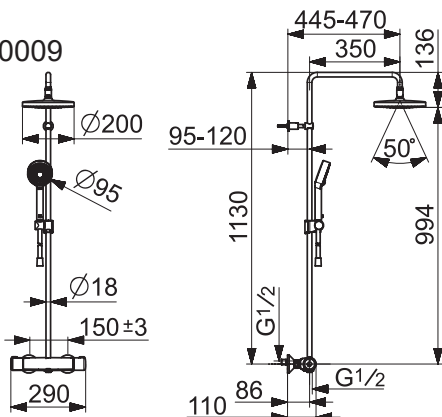
I (ISO 3822)
 EN 1111
 100 - 1000 kPa
 0.27 l/s (300 kPa)
 170 kPa (0.2 l/s)
 max. +65°C



mpi.hansa.com/44350100

4435 0130 , 4435 0130 33, 4435 0130 0007, 4435 0130 0009

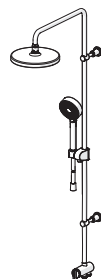
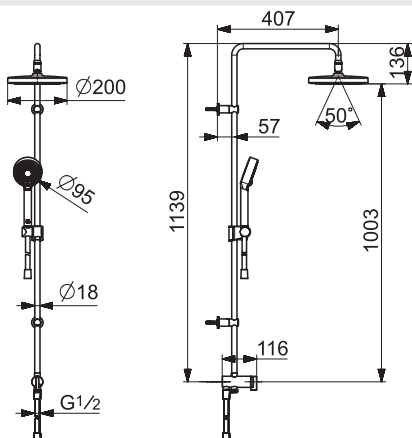
I (ISO 3822)
 EN 1111, EN 1112, EN 1113
 100 - 1000 kPa
 0.25 / 0.26 l/s (300 kPa)
 0.125 l/s (300 kPa w/Controller)(0007)
 0.15 l/s (300 kPa w/Controller)(0009)
 180 kPa (0.2 l/s)
 max. +65°C



mpi.hansa.com/44350130

4438 0200

I (ISO 3822)
 EN 1112, EN 1113
 100 - 1000 kPa
 0.25 / 0.26 l/s (300 kPa)
 180 kPa (0.2 l/s)
 max. +65°C

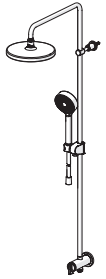
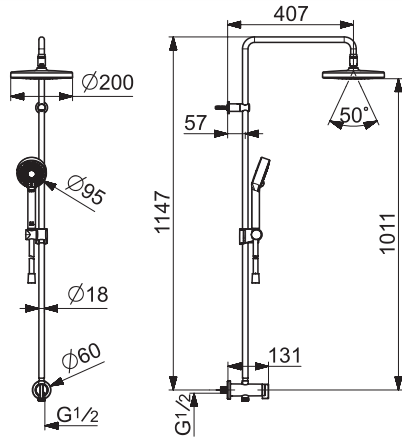


mpi.hansa.com/44380200



4439 0200

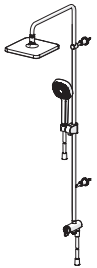
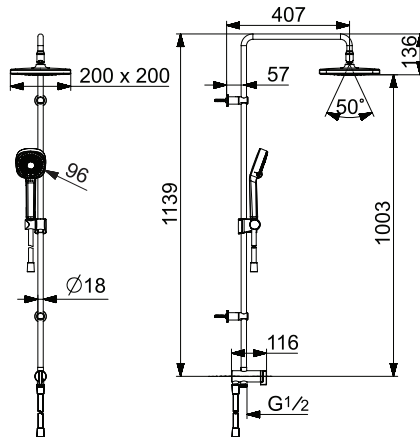
I (ISO 3822)
 EN 1112, EN 1113
 100 - 1000 kPa
 0.25 / 0.26 l/s (300 kPa)
 180 kPa (0.2 l/s)
 max. +65°C



mpi.hansa.com/44390200

4438 0300

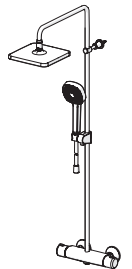
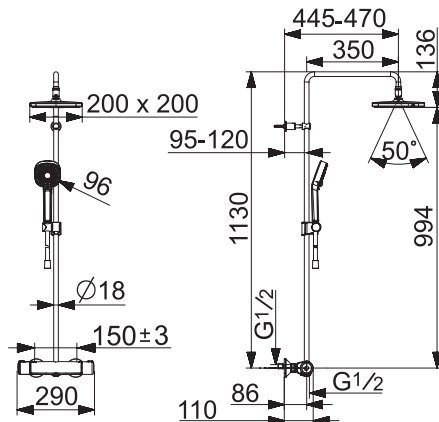
I (ISO 3822)
 EN 1111, EN 1112, EN 1113
 100 - 1000 kPa
 0.10 l/s (Eco)
 0.2 l/s (300 kPa)
 max. +65°C



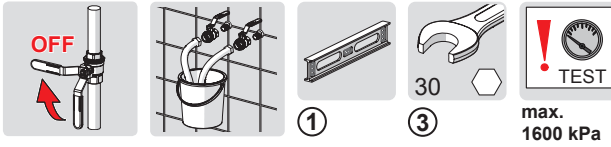
mpi.hansa.com/44380300

4435 0230

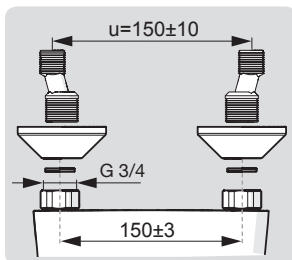
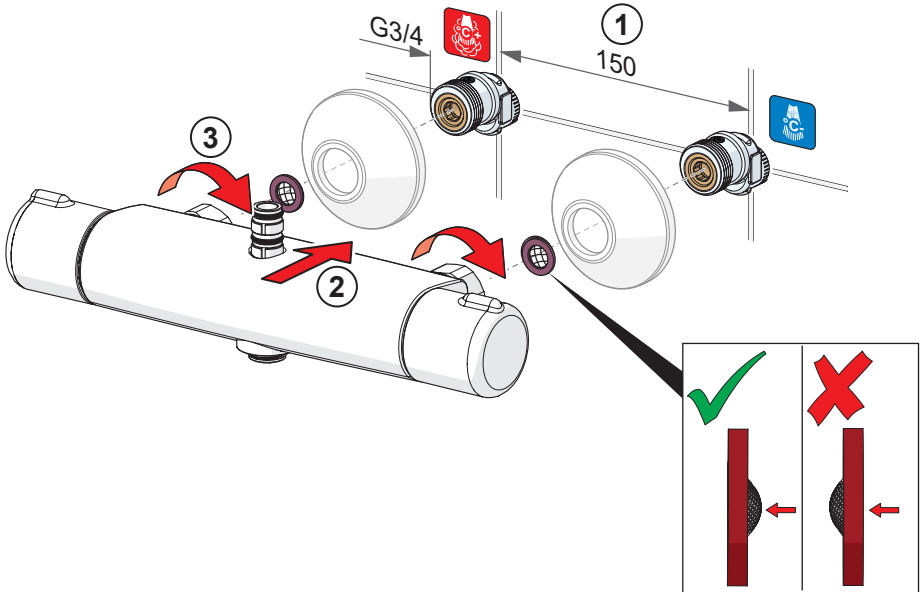
I (ISO 3822)
 EN 1112, EN 1113, EN 1111
 100 - 1000 kPa
 0.3 / 0.26 l/s (300 kPa)
 180 kPa (0.2 l/s)
 max. +65°C

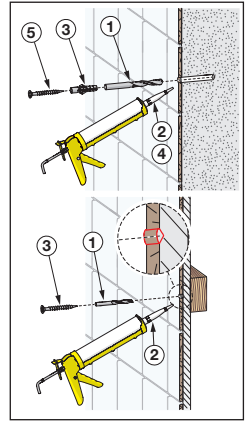
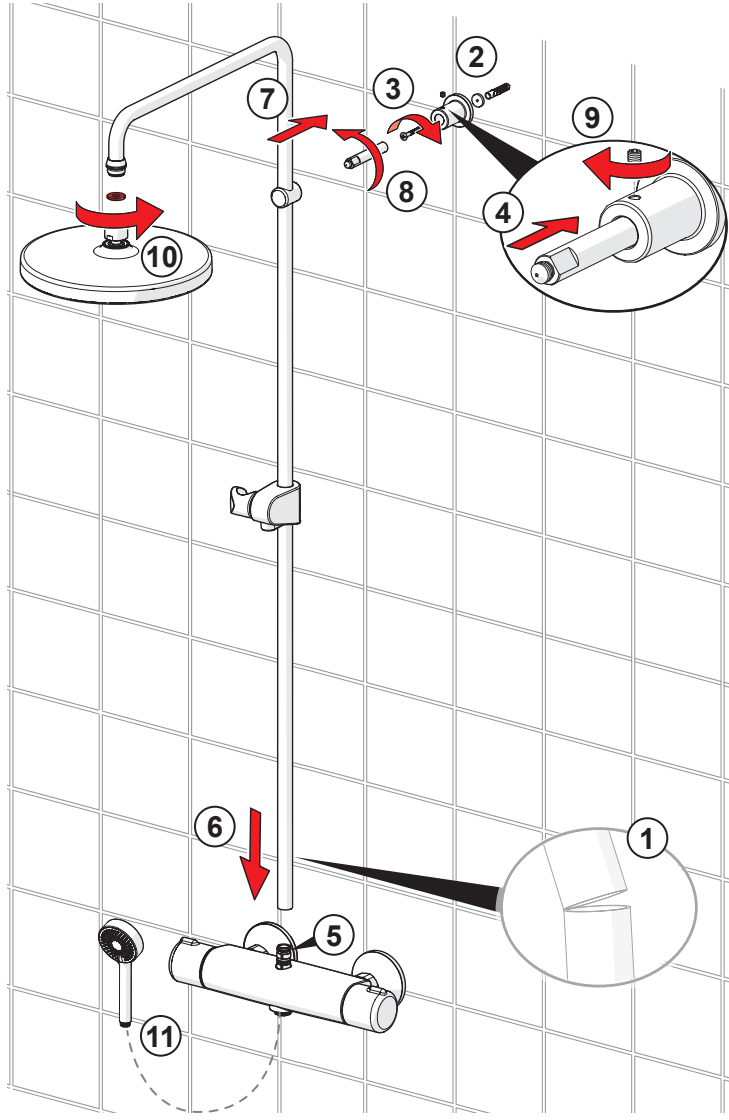
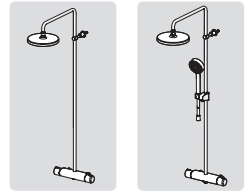
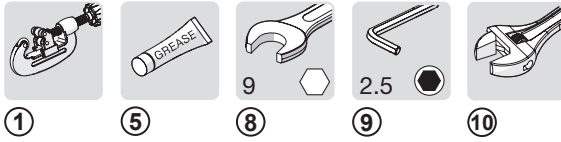


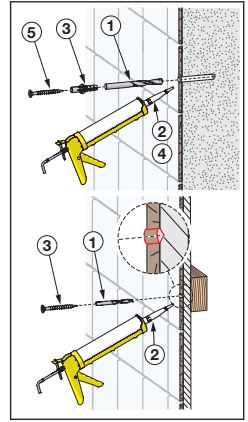
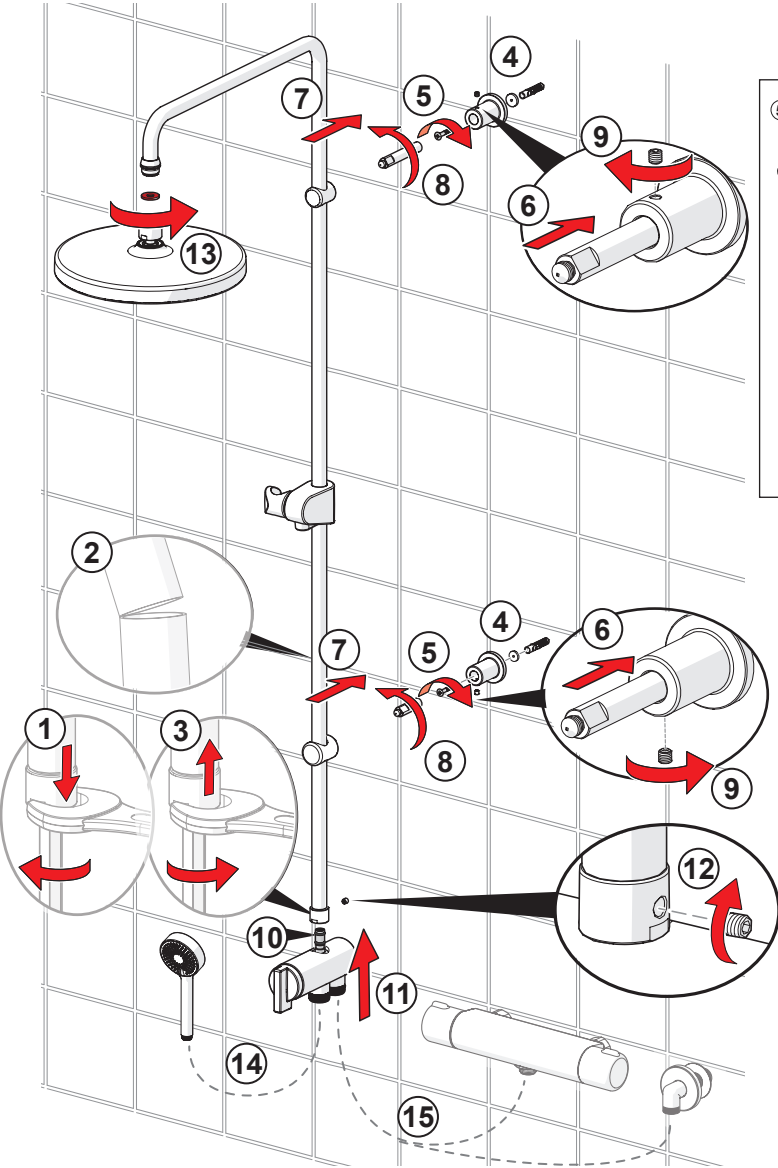
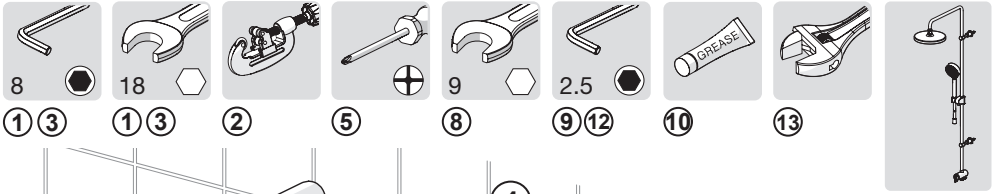
mpi.hansa.com/44350230

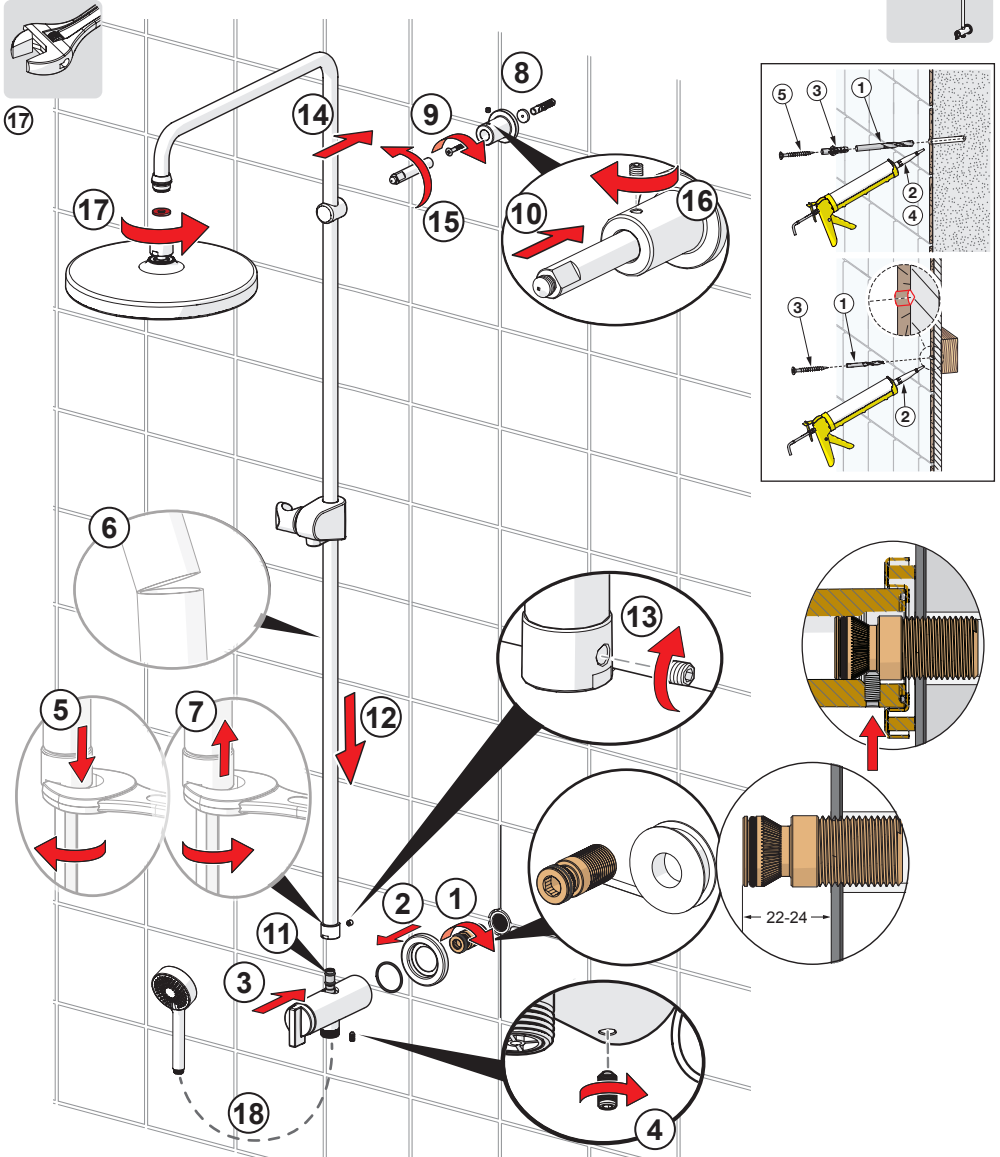
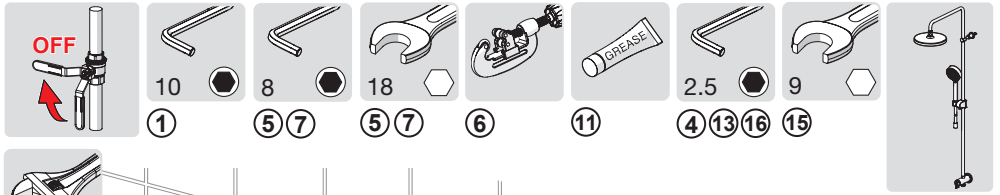


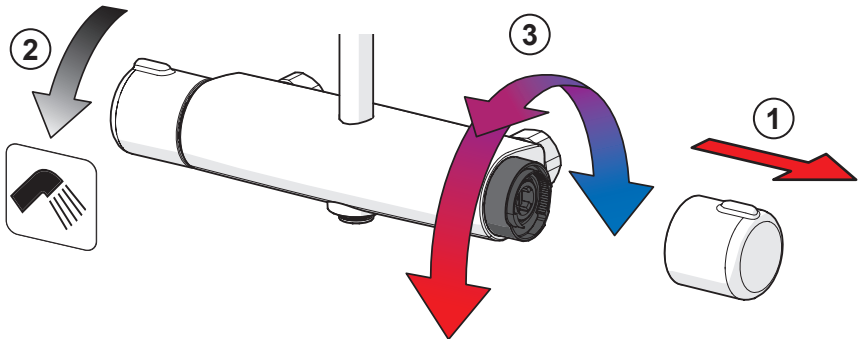
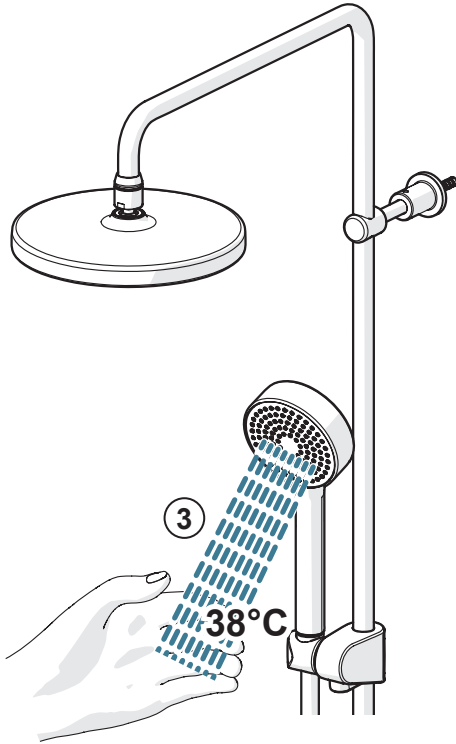
max.
1600 kPa

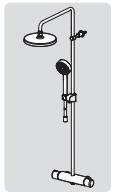
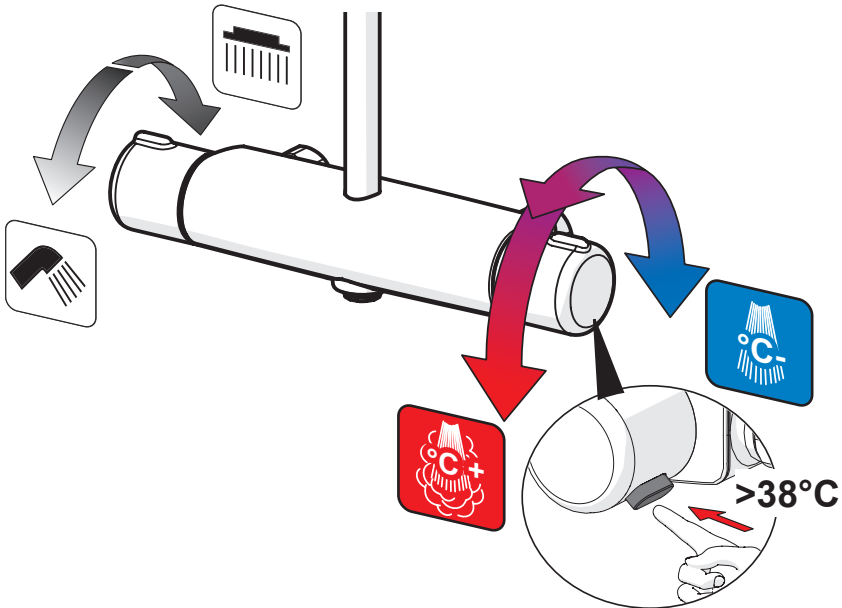
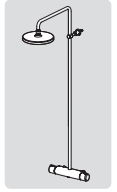
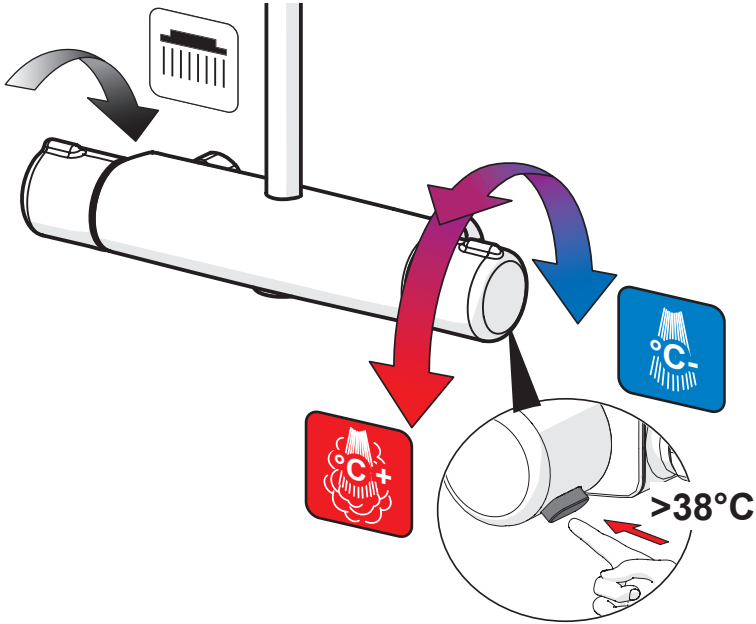


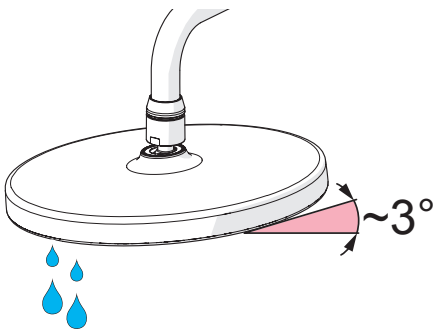
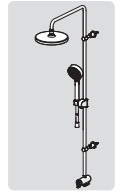
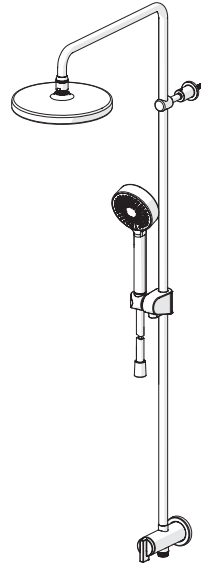
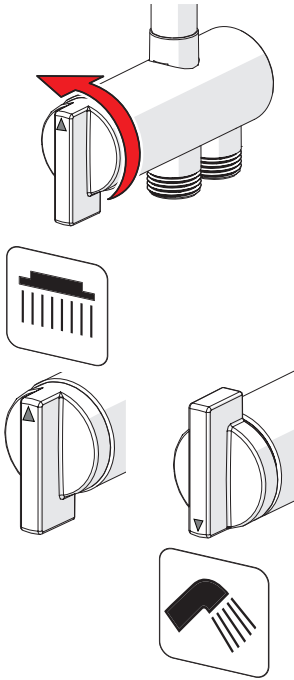




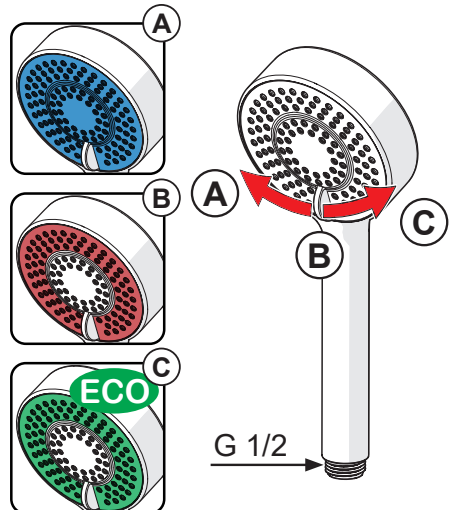


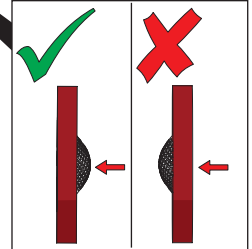
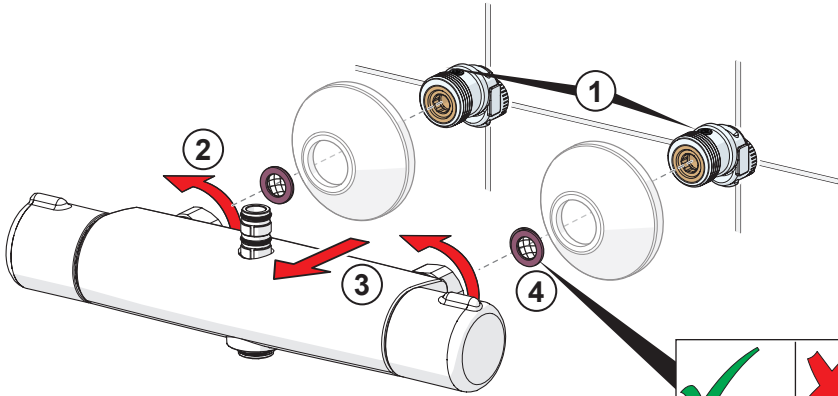
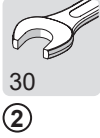
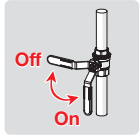
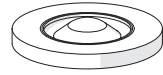


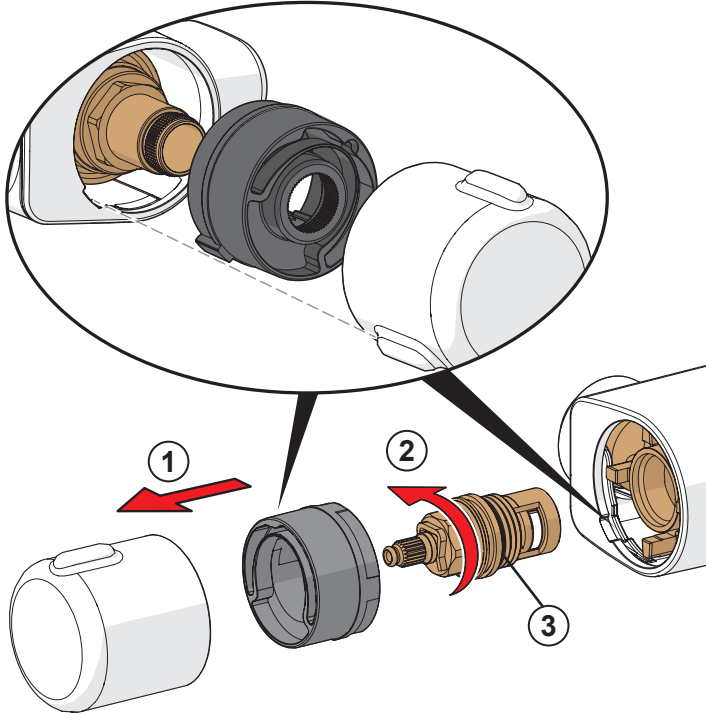
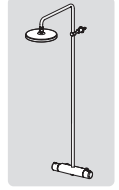
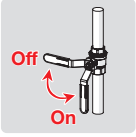


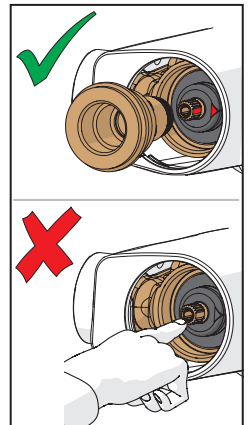
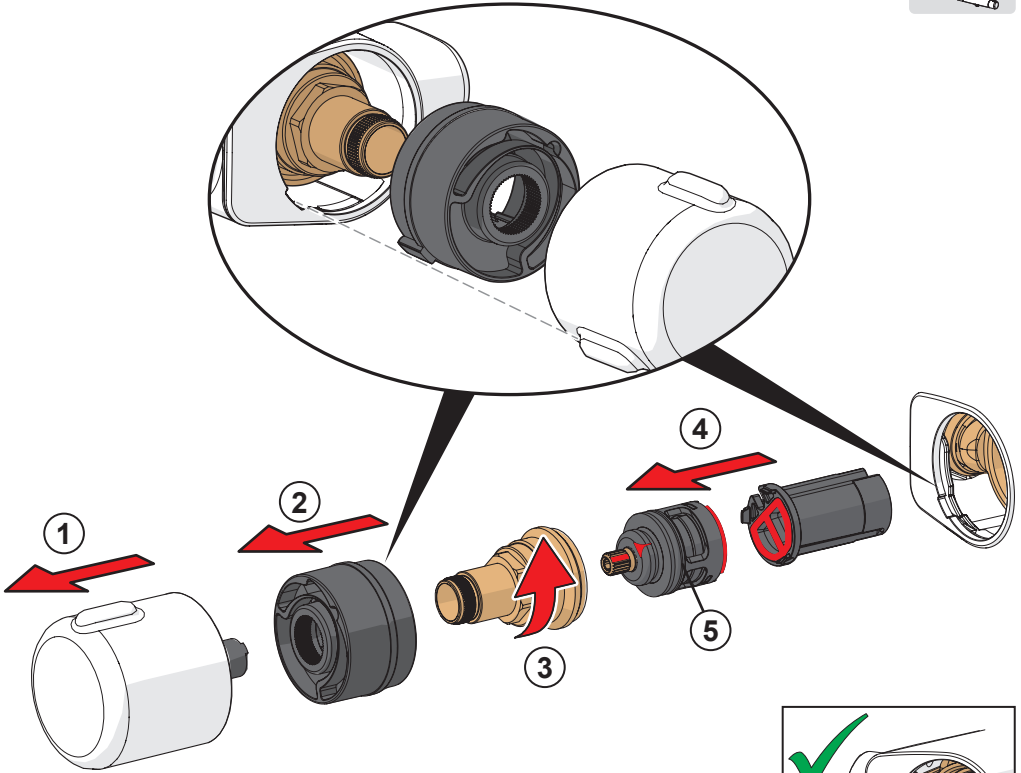
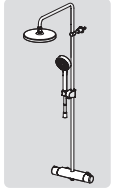
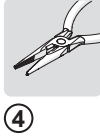
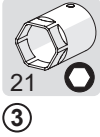
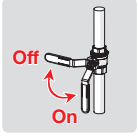
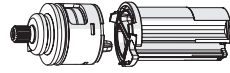


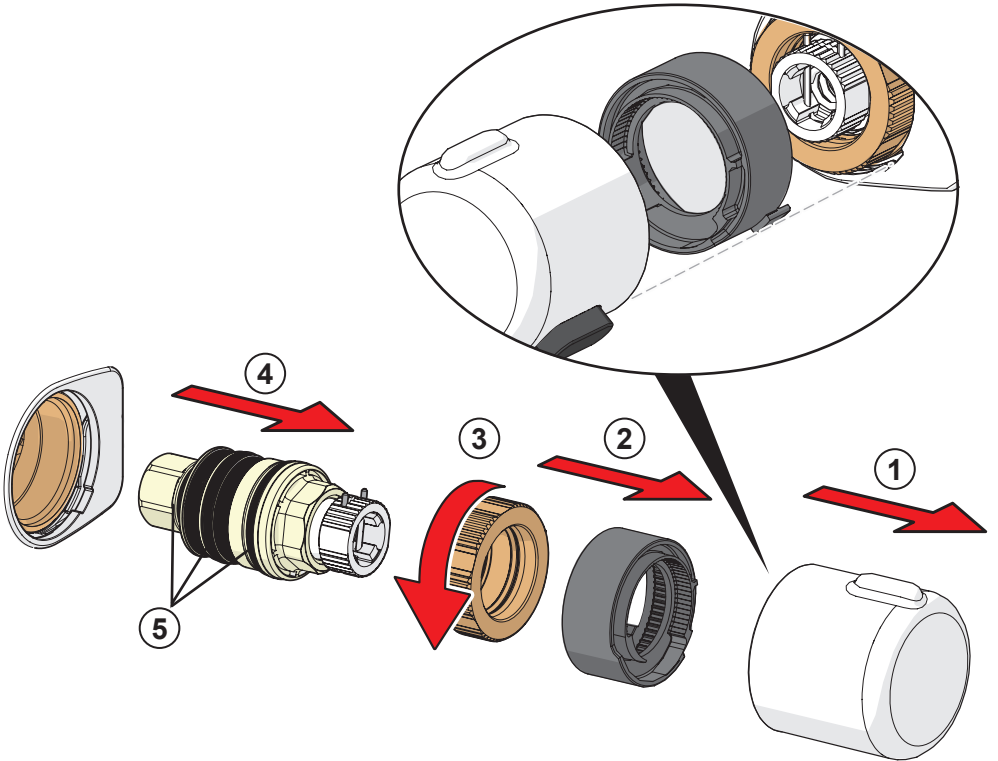
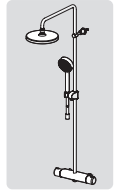
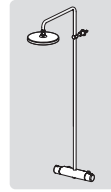
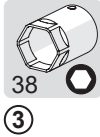
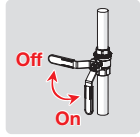
Max 65°C

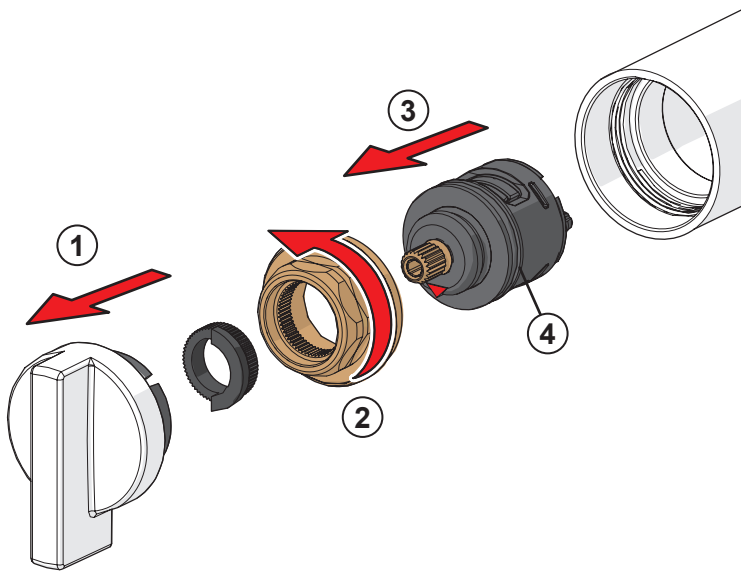
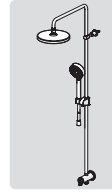
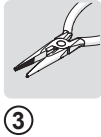
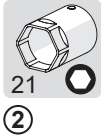
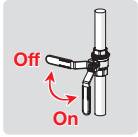
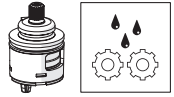


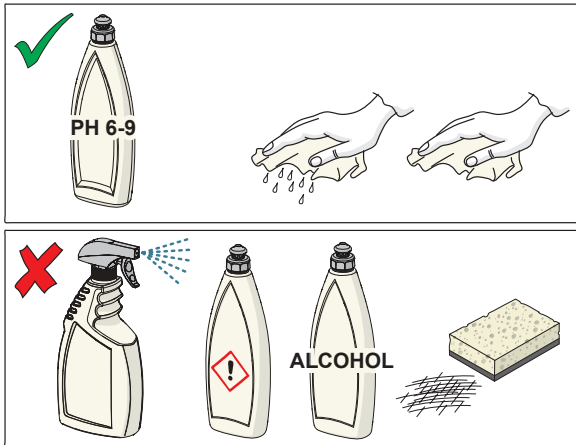
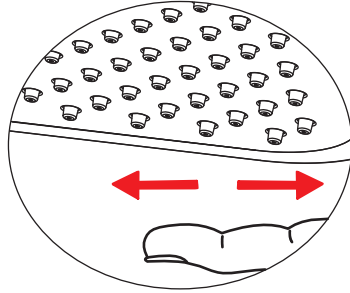












CLEANING.HANSA.COM

Oras Group is a powerful European provider of sanitary fittings: the market leader in the Nordics and a leading company in Continental Europe. The company's mission is to make the use of water easy and sustainable and its vision is to become the European leader of advanced sanitary fittings. Oras Group has two strong brands: Oras and Hansa.

The Group's head office is located in Rauma, Finland, and the Group has three manufacturing sites: Kralovice (Czech Republic), Olesno (Poland) and Rauma (Finland). Oras Group employs approximately 1,200 people in twenty countries. Oras Group is owned by Oras Invest, a family company and an industrial owner.

HANSA Armaturen GmbH
P. O. BOX 81 02 40
D-70519 Stuttgart
Sigmaringer Strasse 107
D-70567 Stuttgart
Tel.: +49 711 16 14 0
Fax: +49 711 16 14 368
info@hansa.de
www.hansa.com



943423D-03-22