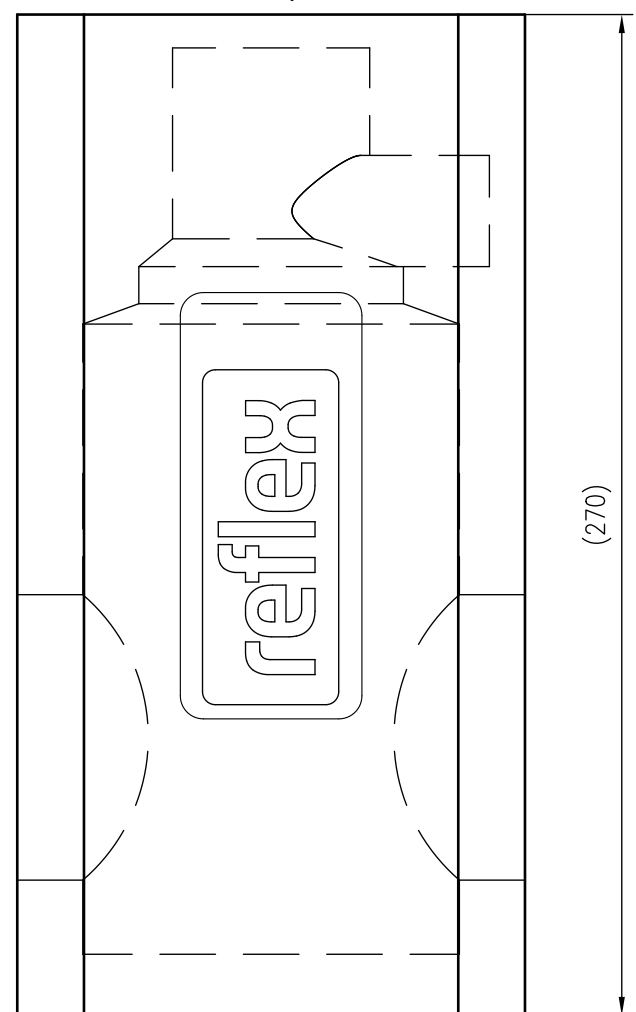
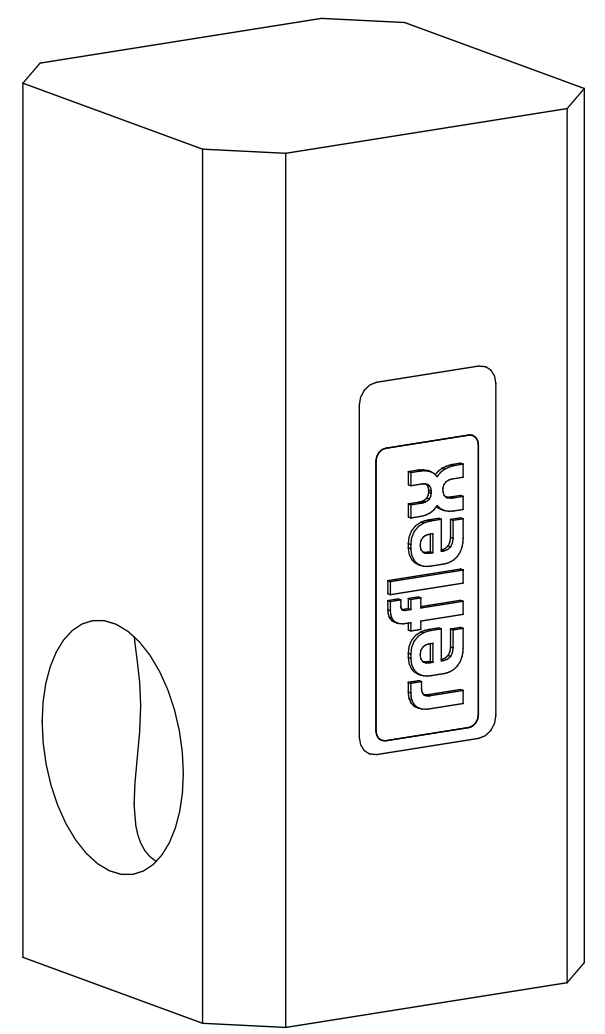


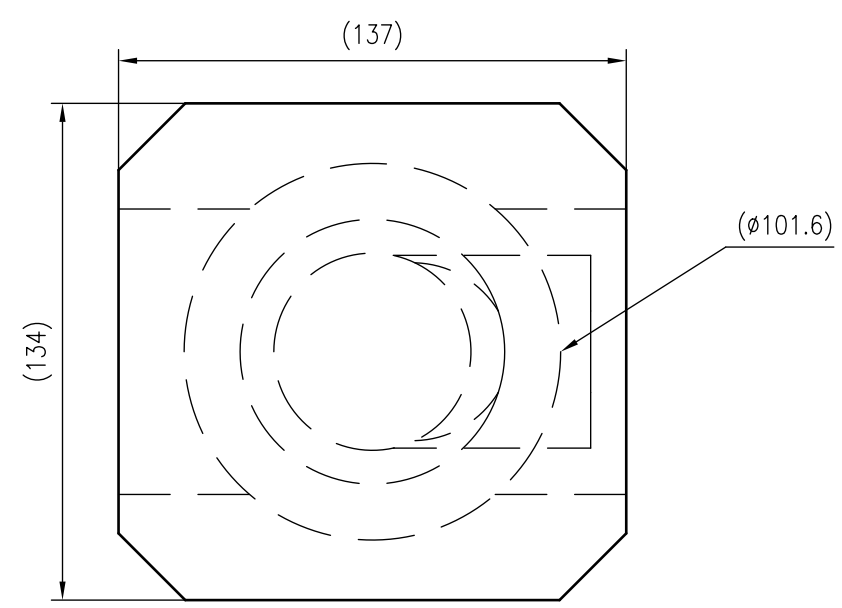
Side view



Front view



Isometric view



Top view



Unterliegt nicht dem Änderungsdienst/ Not subject to change management	Maßstab/ Scale: 1:2	Format/ Size: A3
---------------------------------------------------------------------------	------------------------	---------------------

Revision 04.11.2016	Exiso A D 2 – 9254801
------------------------	-----------------------