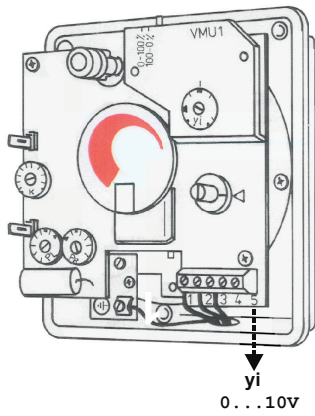
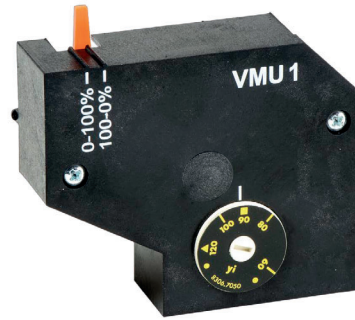


1



# resideo

## Centra VMU1



Manufactured for and on behalf of  
Pittway 3 Sàrl, Z.A., La Pièce 4, 1180 Rolle, Switzerland

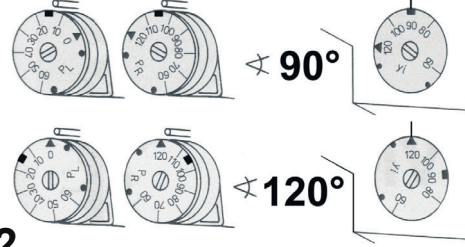
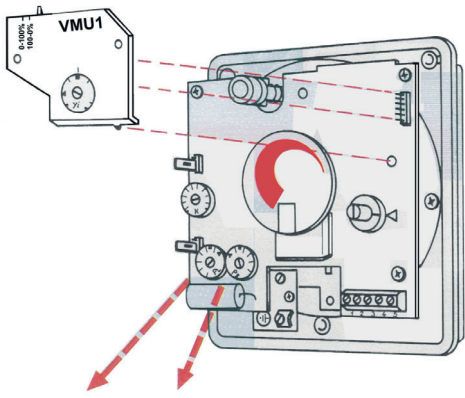
MU1B-1717GEZ3 R0422

For more information  
[homecomfort.resideo.com/europe](http://homecomfort.resideo.com/europe)

Subject to change.  
© 2022 Pittway Sàrl, Inc. All rights reserved.

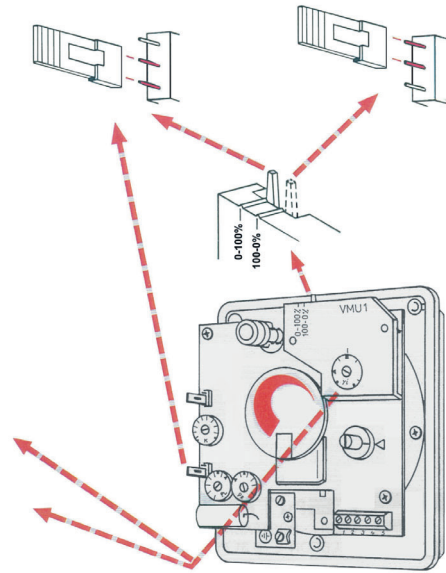
This document contains proprietary information of Pittway Sàrl and its affiliated companies and is protected by copyright and other international laws. Reproduction or improper use without specific written authorization of Pittway Sàrl is strictly forbidden.

2



2

3



3