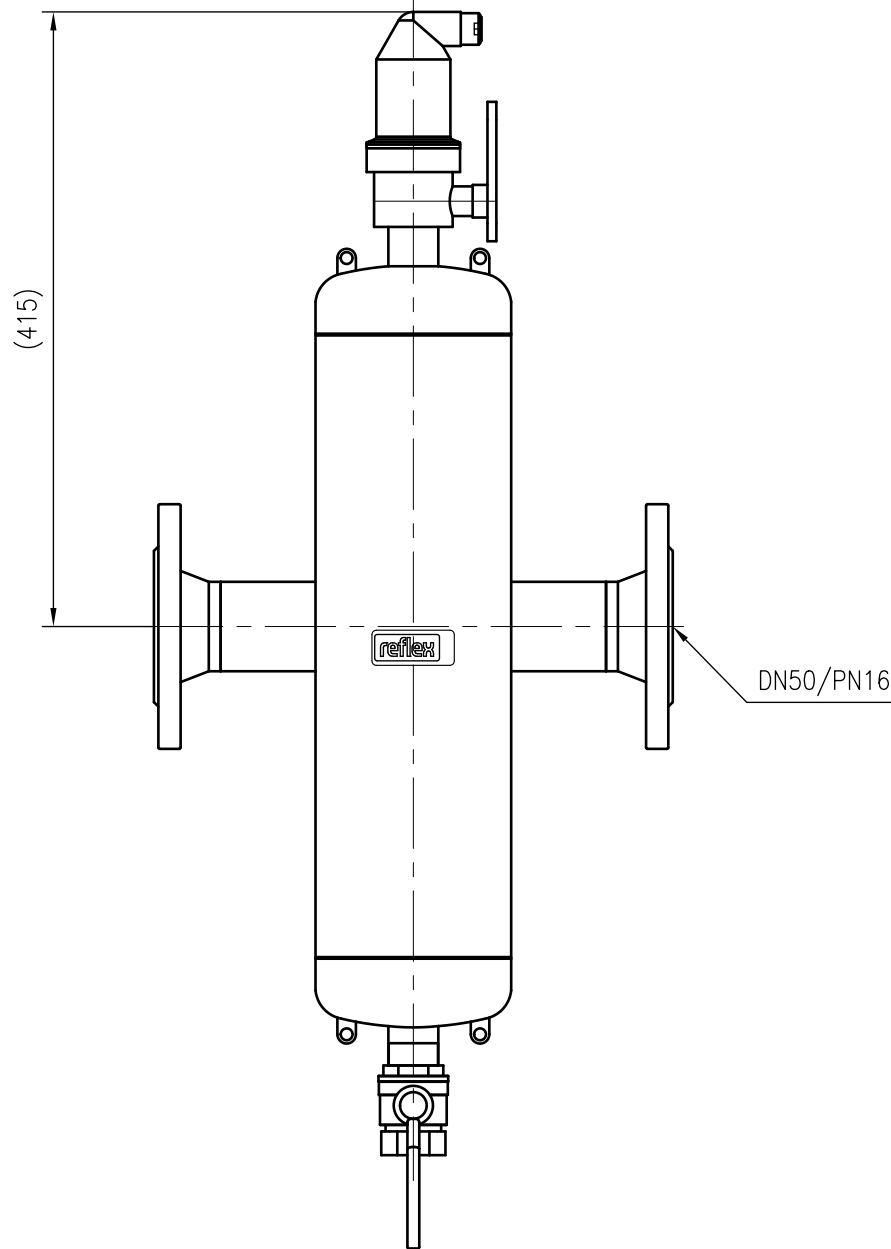
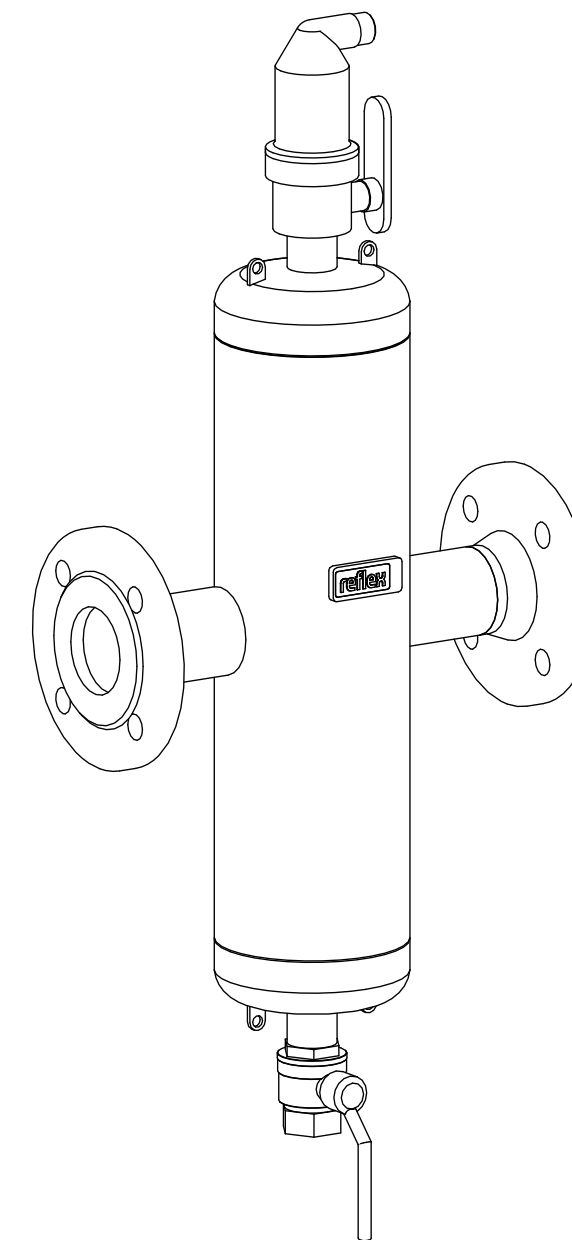


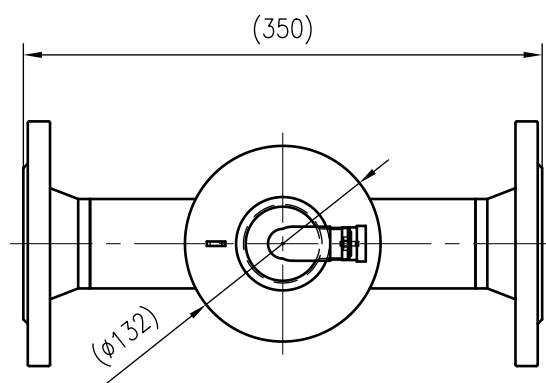
Side view



Front view



Isometric view



Top view



|   |                       |                        |                     |
|---|-----------------------|------------------------|---------------------|
| Unterliegt nicht dem Änderungsdienst/<br>Not subject to change management |                       | Maßstab/<br>Scale: 1:5 | Format/<br>Size: A3 |
| Revision<br>23.05.2016  | Extwin TW50 – 8253300 |                        |                     |