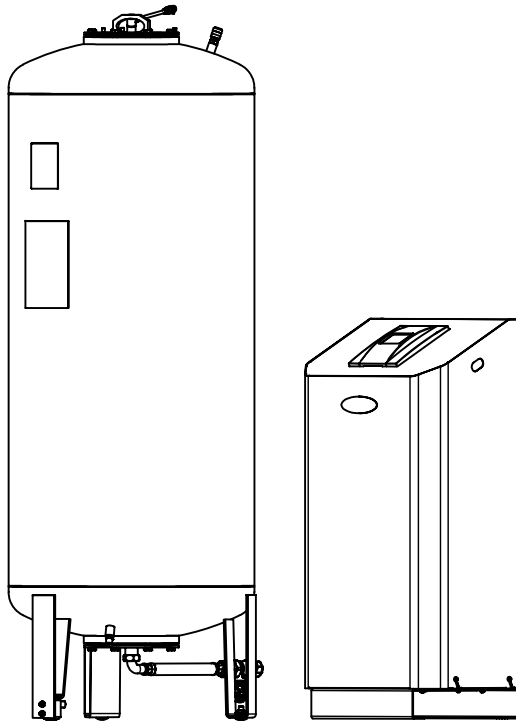


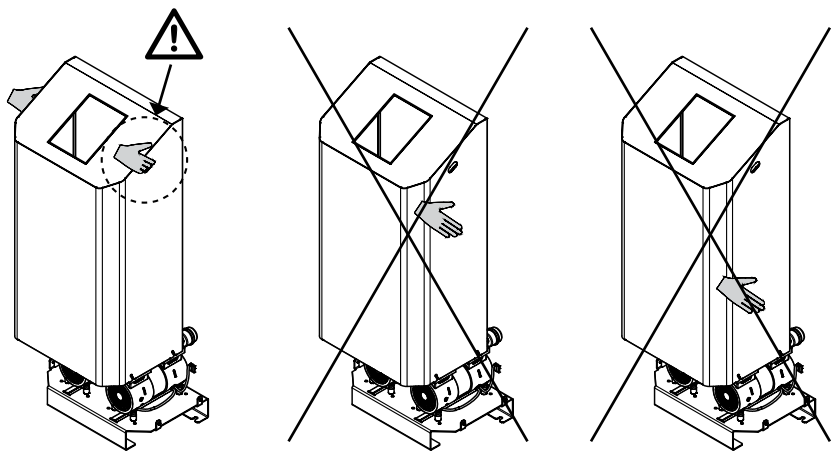
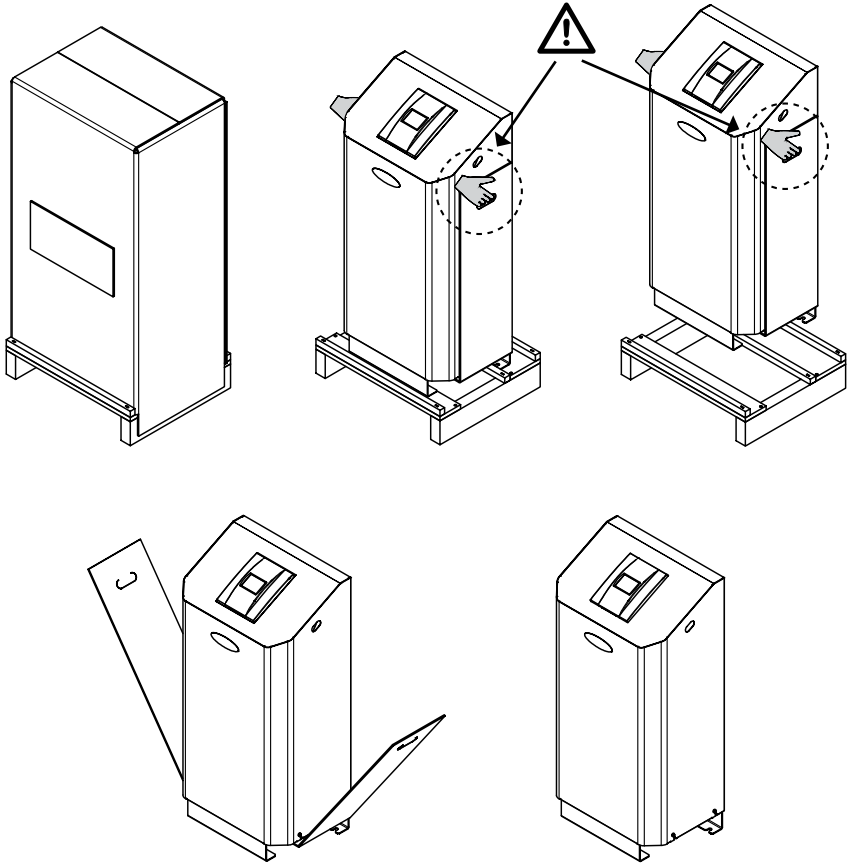
# Compresso Connect C10.1 / C15.1 / C10.2 / C15.2 INSTALL

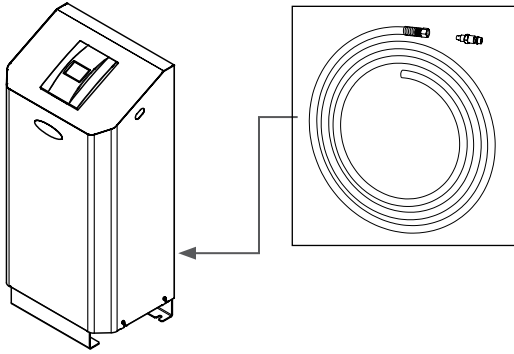
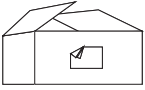


SAFETY - INSPECTION - DISASSEMBLING prescriptions	
1	Read the instructions carefully before starting the work.
2	Always use the correct tools and equipment.
3	Always use the correct personal protective equipment (PPE).
4	Always use the correct lifting technique.
5	Always use the correct electrical safety procedures.
6	Always use the correct gas safety procedures.
7	Always use the correct fire safety procedures.
8	Always use the correct noise safety procedures.
9	Always use the correct vibration safety procedures.
10	Always use the correct dust safety procedures.
11	Always use the correct fumes safety procedures.
12	Always use the correct biological safety procedures.
13	Always use the correct chemical safety procedures.
14	Always use the correct radiation safety procedures.
15	Always use the correct electrical safety procedures.
16	Always use the correct gas safety procedures.
17	Always use the correct fire safety procedures.
18	Always use the correct noise safety procedures.
19	Always use the correct vibration safety procedures.
20	Always use the correct dust safety procedures.
21	Always use the correct fumes safety procedures.
22	Always use the correct biological safety procedures.
23	Always use the correct chemical safety procedures.
24	Always use the correct radiation safety procedures.
25	Always use the correct electrical safety procedures.
26	Always use the correct gas safety procedures.
27	Always use the correct fire safety procedures.
28	Always use the correct noise safety procedures.
29	Always use the correct vibration safety procedures.
30	Always use the correct dust safety procedures.
31	Always use the correct fumes safety procedures.
32	Always use the correct biological safety procedures.
33	Always use the correct chemical safety procedures.
34	Always use the correct radiation safety procedures.
35	Always use the correct electrical safety procedures.
36	Always use the correct gas safety procedures.
37	Always use the correct fire safety procedures.
38	Always use the correct noise safety procedures.
39	Always use the correct vibration safety procedures.
40	Always use the correct dust safety procedures.
41	Always use the correct fumes safety procedures.
42	Always use the correct biological safety procedures.
43	Always use the correct chemical safety procedures.
44	Always use the correct radiation safety procedures.
45	Always use the correct electrical safety procedures.
46	Always use the correct gas safety procedures.
47	Always use the correct fire safety procedures.
48	Always use the correct noise safety procedures.
49	Always use the correct vibration safety procedures.
50	Always use the correct dust safety procedures.
51	Always use the correct fumes safety procedures.
52	Always use the correct biological safety procedures.
53	Always use the correct chemical safety procedures.
54	Always use the correct radiation safety procedures.
55	Always use the correct electrical safety procedures.
56	Always use the correct gas safety procedures.
57	Always use the correct fire safety procedures.
58	Always use the correct noise safety procedures.
59	Always use the correct vibration safety procedures.
60	Always use the correct dust safety procedures.
61	Always use the correct fumes safety procedures.
62	Always use the correct biological safety procedures.
63	Always use the correct chemical safety procedures.
64	Always use the correct radiation safety procedures.
65	Always use the correct electrical safety procedures.
66	Always use the correct gas safety procedures.
67	Always use the correct fire safety procedures.
68	Always use the correct noise safety procedures.
69	Always use the correct vibration safety procedures.
70	Always use the correct dust safety procedures.
71	Always use the correct fumes safety procedures.
72	Always use the correct biological safety procedures.
73	Always use the correct chemical safety procedures.
74	Always use the correct radiation safety procedures.
75	Always use the correct electrical safety procedures.
76	Always use the correct gas safety procedures.
77	Always use the correct fire safety procedures.
78	Always use the correct noise safety procedures.
79	Always use the correct vibration safety procedures.
80	Always use the correct dust safety procedures.
81	Always use the correct fumes safety procedures.
82	Always use the correct biological safety procedures.
83	Always use the correct chemical safety procedures.
84	Always use the correct radiation safety procedures.
85	Always use the correct electrical safety procedures.
86	Always use the correct gas safety procedures.
87	Always use the correct fire safety procedures.
88	Always use the correct noise safety procedures.
89	Always use the correct vibration safety procedures.
90	Always use the correct dust safety procedures.
91	Always use the correct fumes safety procedures.
92	Always use the correct biological safety procedures.
93	Always use the correct chemical safety procedures.
94	Always use the correct radiation safety procedures.
95	Always use the correct electrical safety procedures.
96	Always use the correct gas safety procedures.
97	Always use the correct fire safety procedures.
98	Always use the correct noise safety procedures.
99	Always use the correct vibration safety procedures.
100	Always use the correct dust safety procedures.

*The texts, graphics and diagrams in this document may be subject to alteration without prior notice or reason being given. [www.imi-hydronic.com](http://www.imi-hydronic.com)*

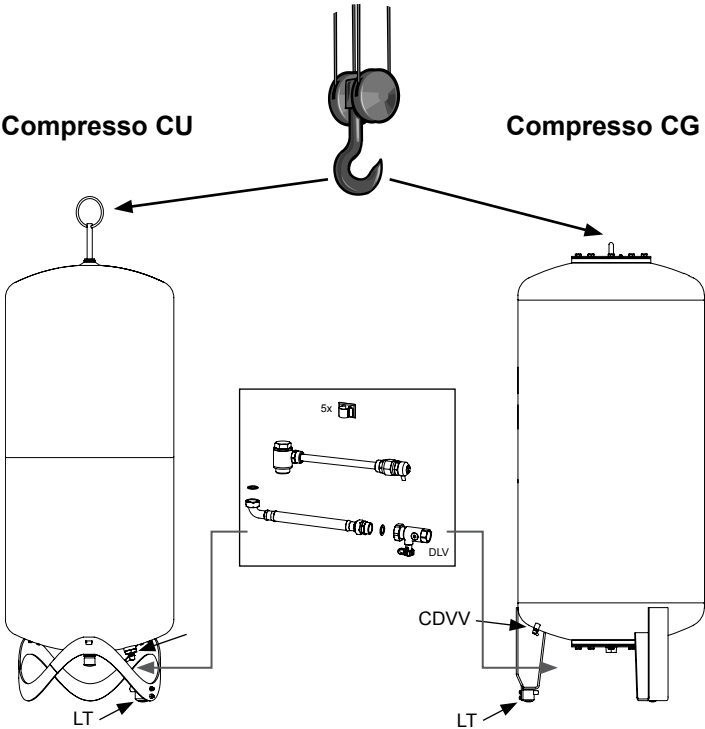
# TecBox

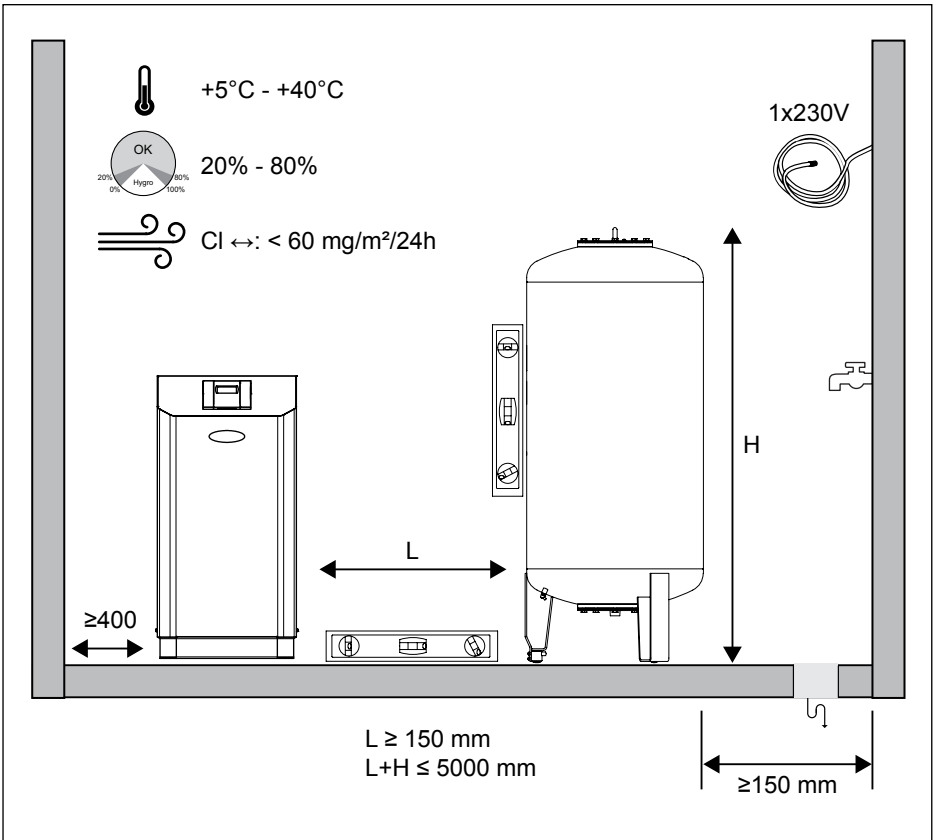
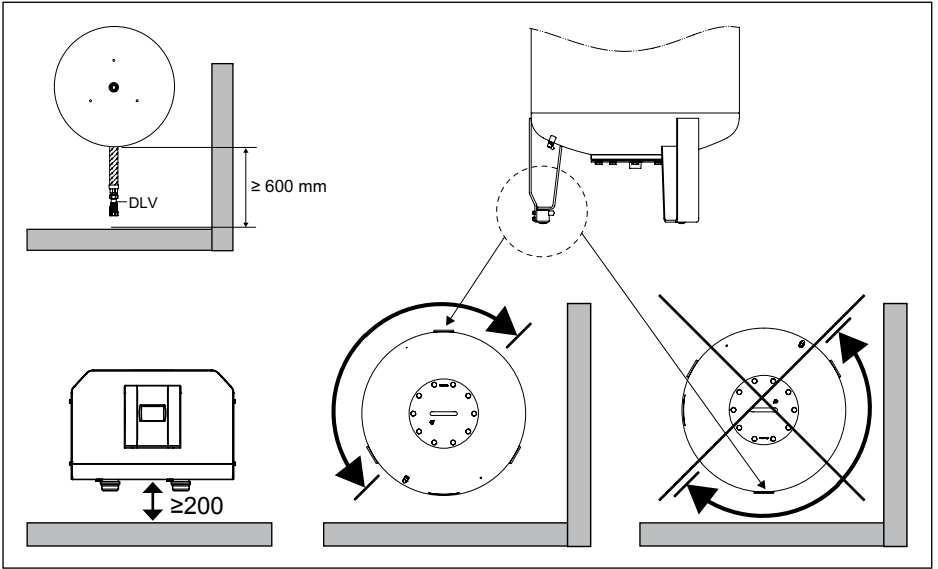




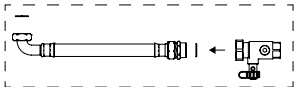
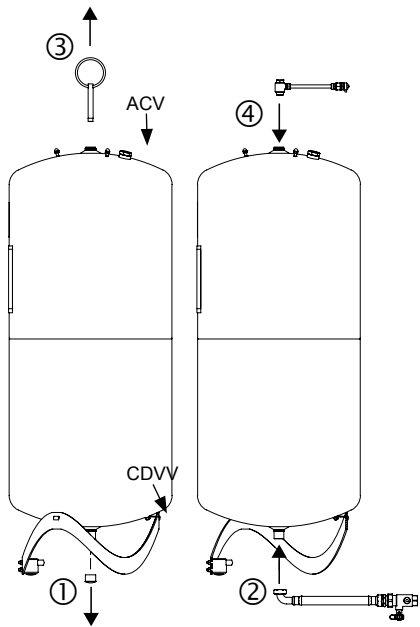
**Compresso CU**

**Compresso CG**

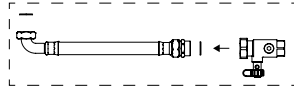
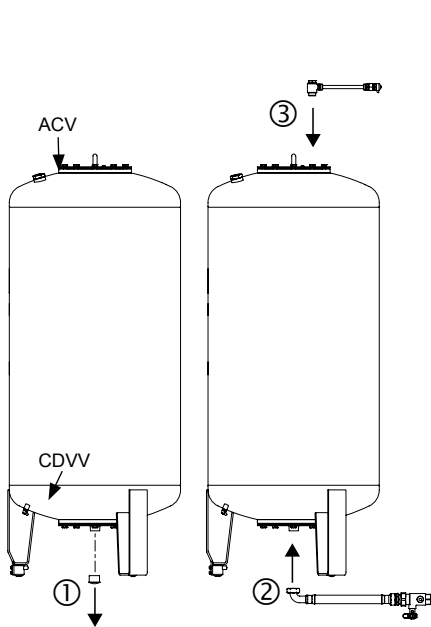




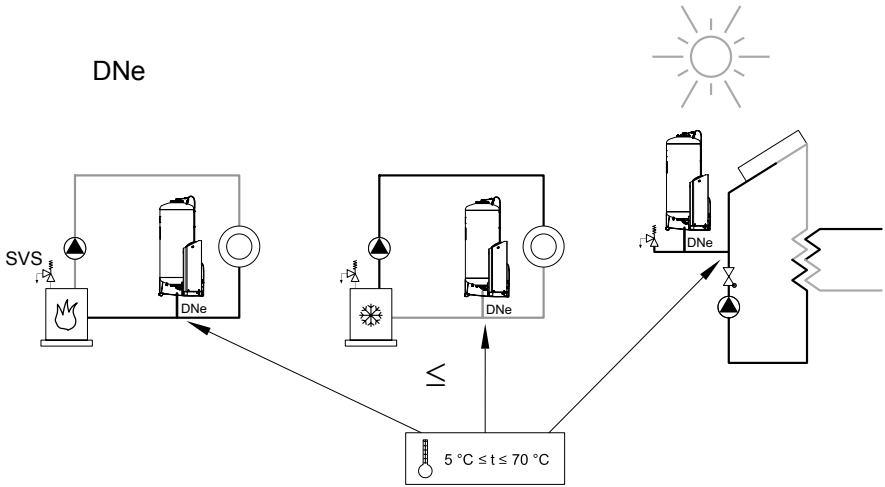
### Compresso CU



### Compresso CG



DNe



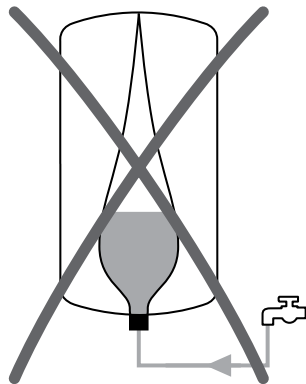
$t < 5\text{ °C}$   
 $t > 70\text{ °C}$

IMI Hydronic Engineering

**DNe**

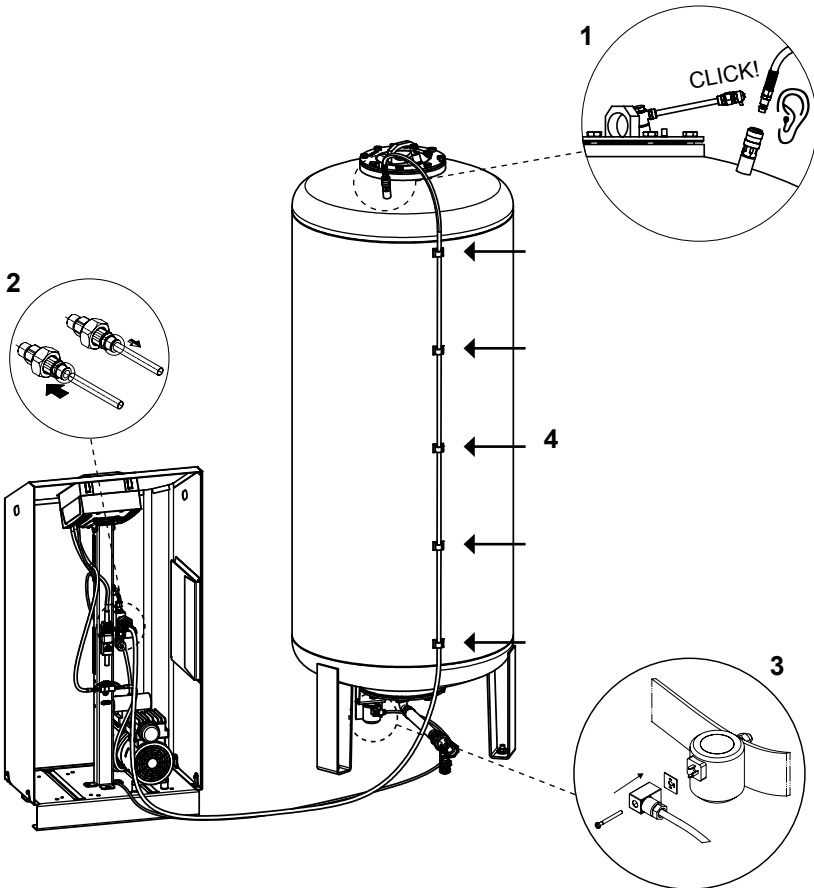
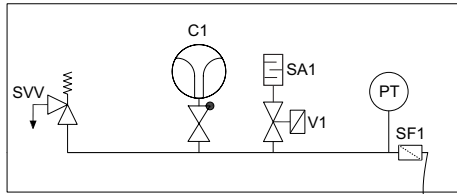
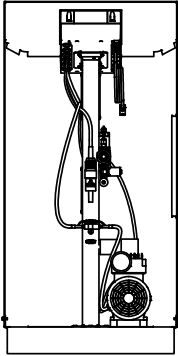
≤ 30 m	DNe	20	25	32	40	50	65	80
EN 12828	Q   kW	1000	1700	3000	3900	6000	11000	15000
SWKI 93-1 *	Q   kW	300	600	900	1400	3000	6000	9000
$t_{s_{max}} \leq 50\text{ °C}$	Q   kW	1600	2700	4800	6300	9600	18100	24600

\*) CH



# Compresso C10.1 / C15.1

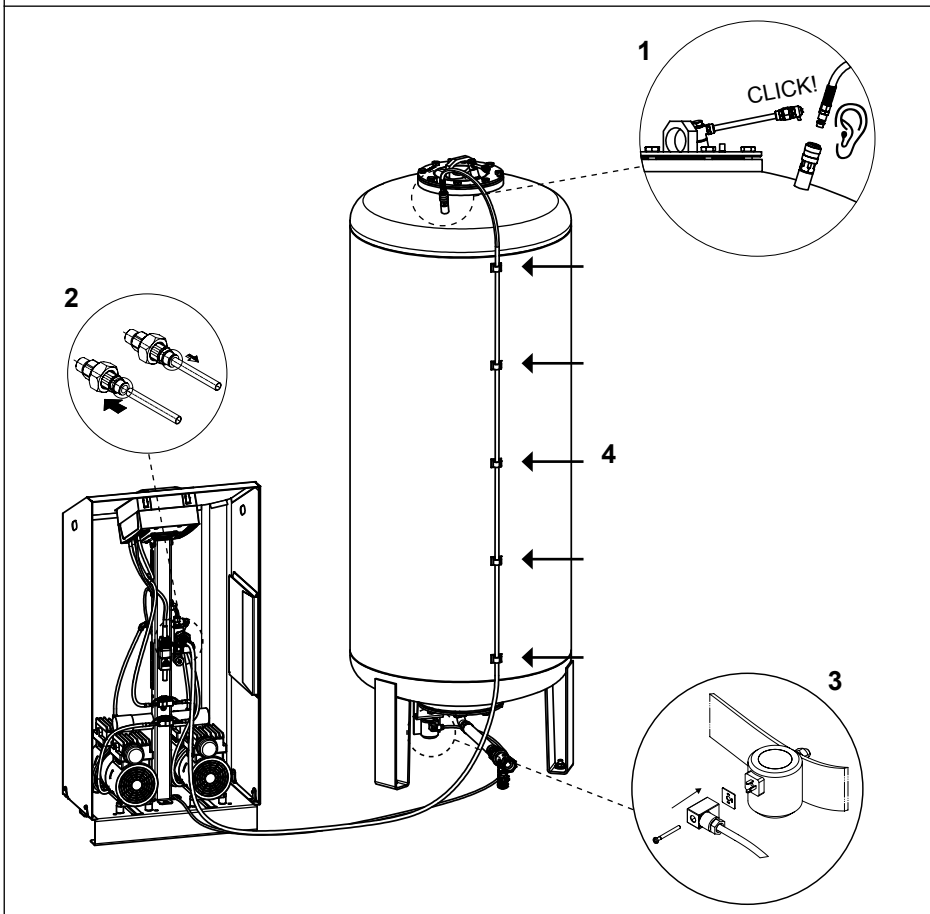
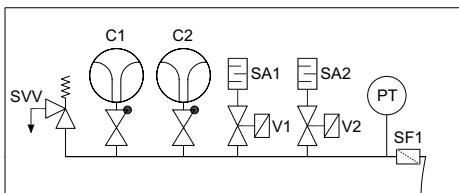
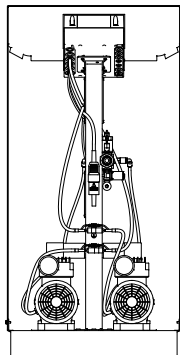
## TecBox



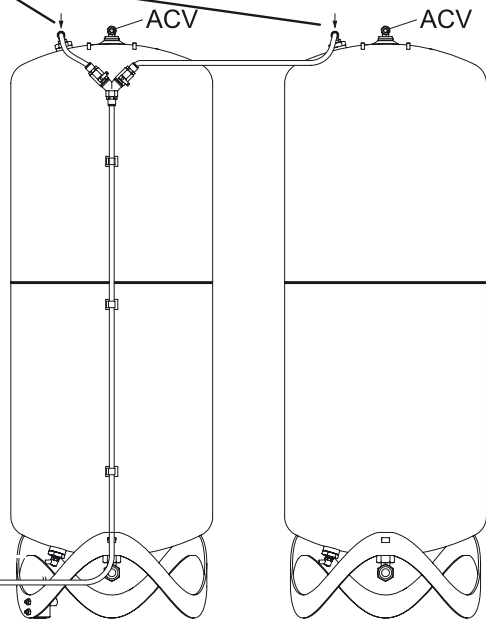
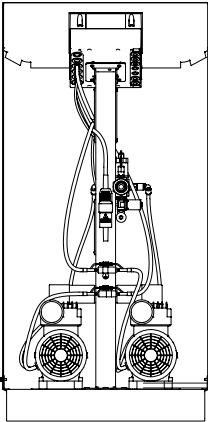
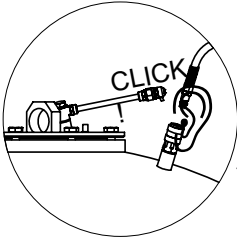
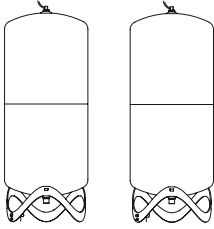


# Compresso C10.2 / C15.2

## TecBox



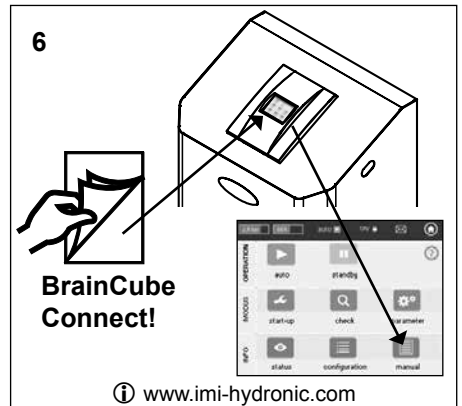
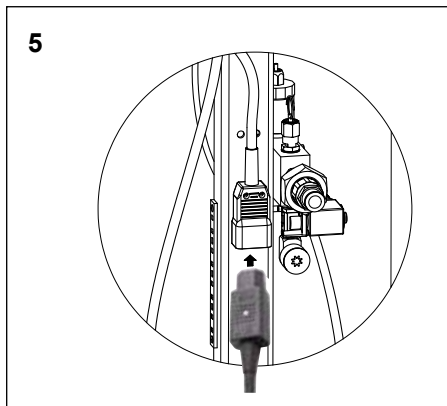
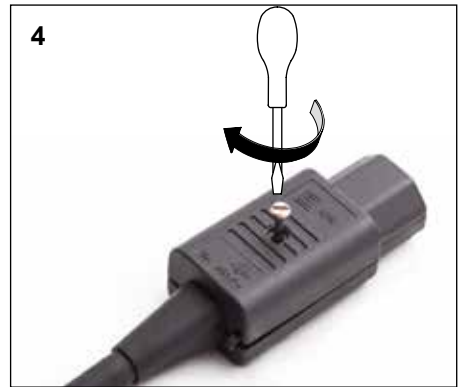
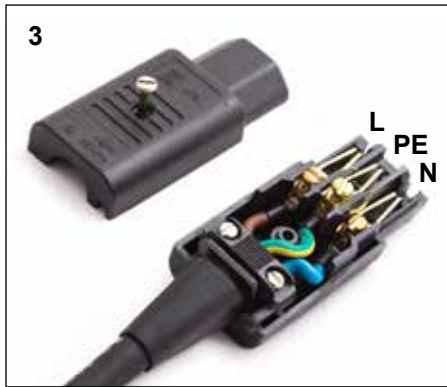
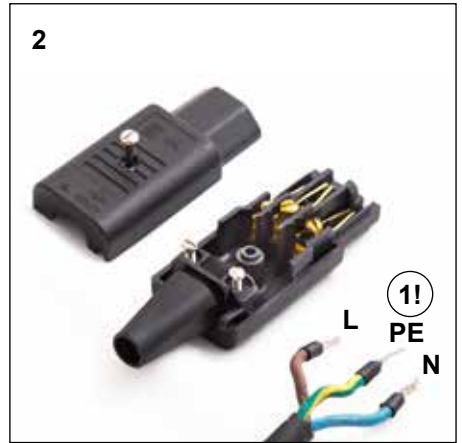
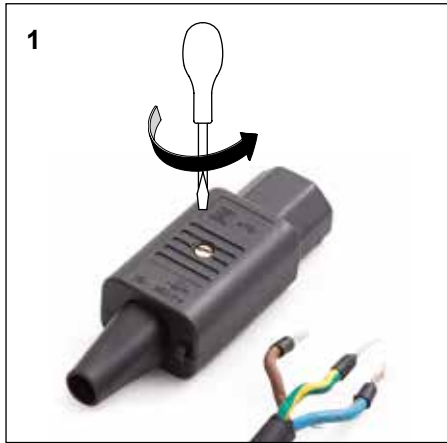
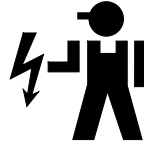
**2 x**



230V/50/60 Hz  
10A / 3 x 1,0 mm<sup>2</sup>

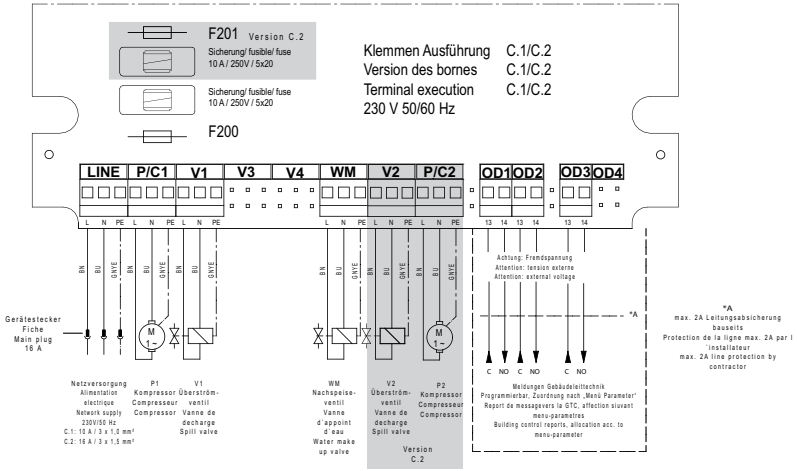


#1-5



www.imi-hydronic.com

# 230V/50/60 Hz



# 24V

