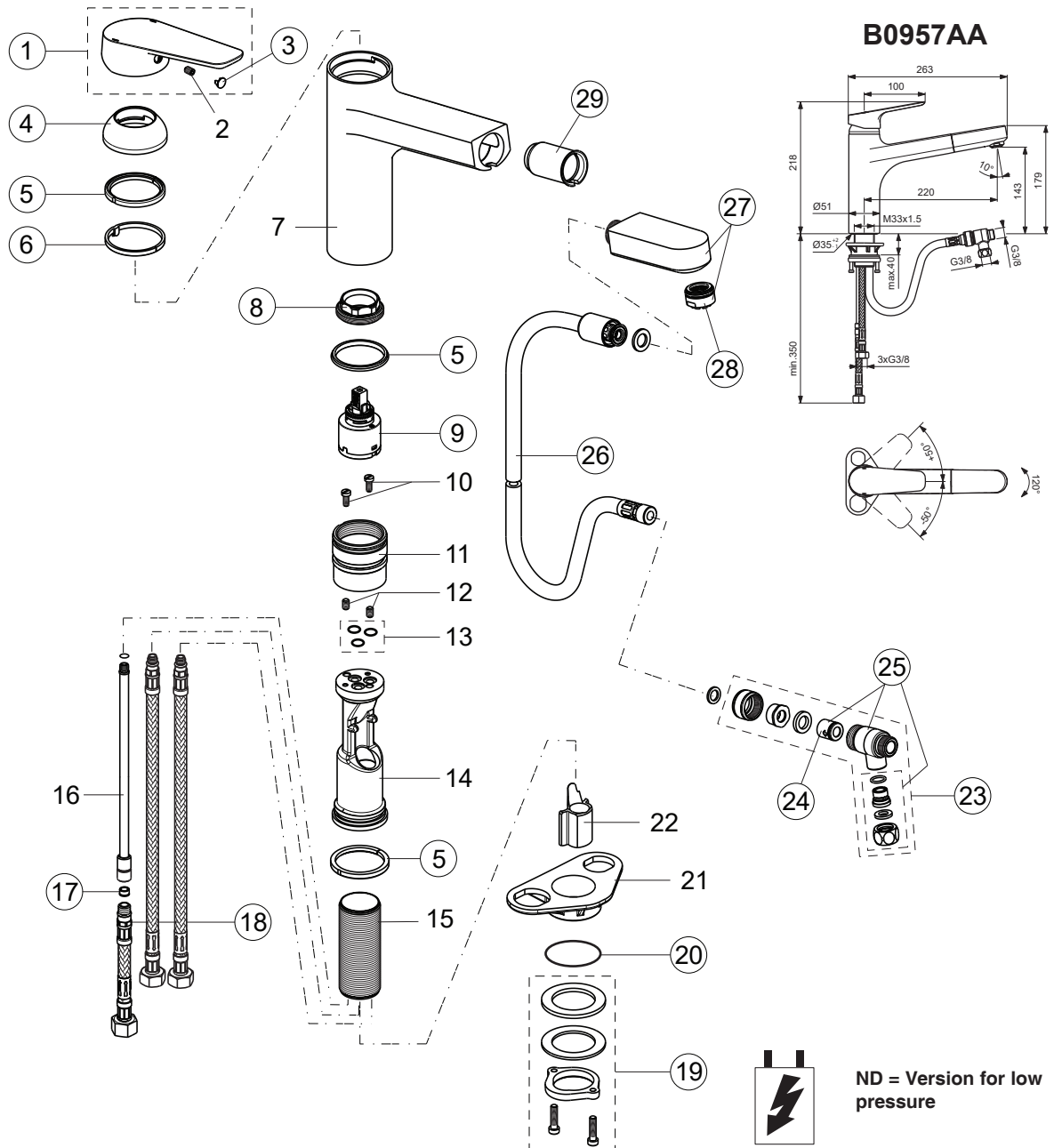


# CERAPLAN III



| Pos. | Signify                       | Spare parts-Nr | Quantity | Pos. | Signify                            | Spare parts-Nr | Quantity |
|------|-------------------------------|----------------|----------|------|------------------------------------|----------------|----------|
| 1    | Lever,w/logo-compl.           | A860978AA      | 1 Pcs.   | 20   | O-Ring Ø36.2x2.62                  | A962575NU      | 1 Pcs.   |
| 2    | Screw M5x8                    |                | 1 Pcs.   | 21   | U plate support bracket fixing kit |                | 1 Pcs.   |
| 3    | Cap decorative                | B960473AA      | 1 Pcs.   | 22   | Schlauchfuehrung                   | B960465AA      | 1 Pcs.   |
| 4    | Cap                           | A860979AA      | 1 Pcs.   | 23   | Connecting set,ND                  | B961346NU      | 1 Pcs.   |
| 5    | Sealring                      | A860980NU      | 1 Set    | 24   | Non return valve                   | A962630NU      | 1 Pcs.   |
| 6    | Ring slider,120°              | B961310NU      | 1 Set    | 25   | T-Stueck                           | B964682AA      | 1 Pcs.   |
| 7    | Body                          |                | 1 Pcs.   | 26   | Metal shower hose L1500mm-COMBI    |                | 1 Pcs.   |
| 8    | Screw M37x1.5                 | A860981NU      | 1 Pcs.   | 27   | Shower complete                    | B961353AA      | 1 Pcs.   |
| 9    | Cartridge Ø35mm               | B961477NU      | 1 Pcs.   | 28   | Flow liner M24x1,ND                | A960935AA      | 1 Pcs.   |
| 10   | Screw M4x10                   |                | 2 Pcs.   | 29   | Plastic insert                     | A960911NU      | 1 Pcs.   |
| 11   | Adapter                       |                | 1 Pcs.   |      |                                    |                |          |
| 12   | Screw M5x8                    |                | 2 Pcs.   |      |                                    |                |          |
| 13   | O-Ring-set                    |                | 1 Set    |      |                                    |                |          |
| 14   | Manifold,ND                   |                | 1 Pcs.   |      |                                    |                |          |
| 15   | Shank M33x1.5                 |                | 1 Pcs.   |      |                                    |                |          |
| 16   | Pipe,w/nipples, M8/M10,L227mm |                | 1 Pcs.   |      |                                    |                |          |
| 17   | Flow limiter 6 l/min          | B961090NU      | 1 Pcs.   |      |                                    |                |          |
| 18   | Fl.hose G3/8,M8x1/L620        | B960364NU      | 1 Pcs.   |      |                                    |                |          |
|      | Fl.pexhose G3/8/L445          | A963600NU      | 1 Pcs.   |      |                                    |                |          |
| 19   | Connecting group              | B960255NU      | 1 Set    |      |                                    |                |          |