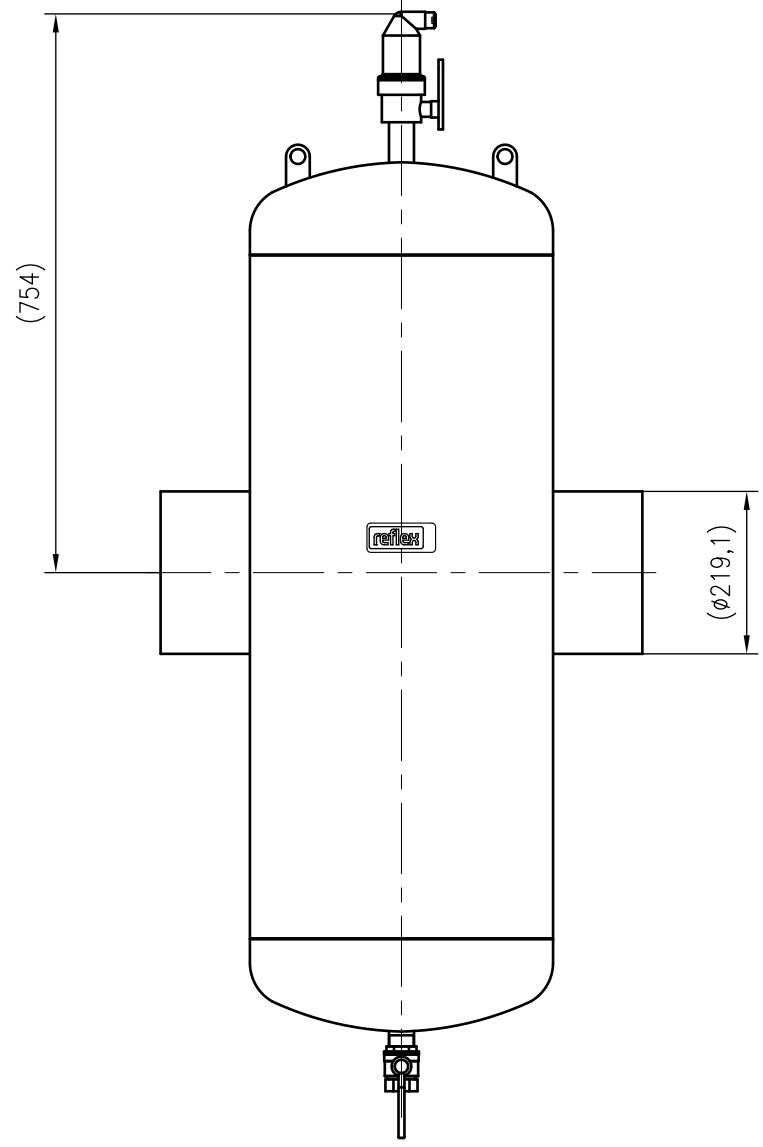
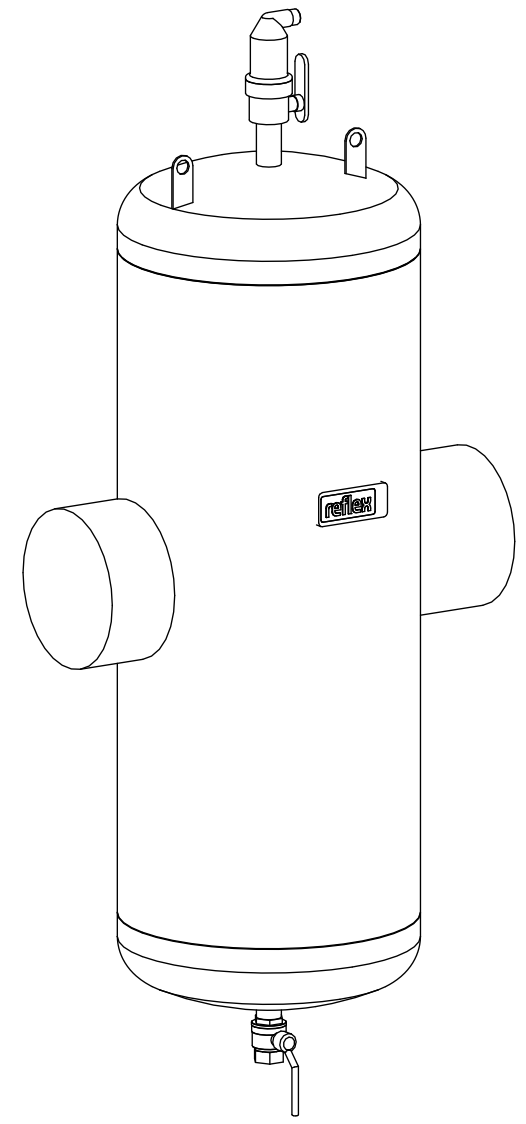


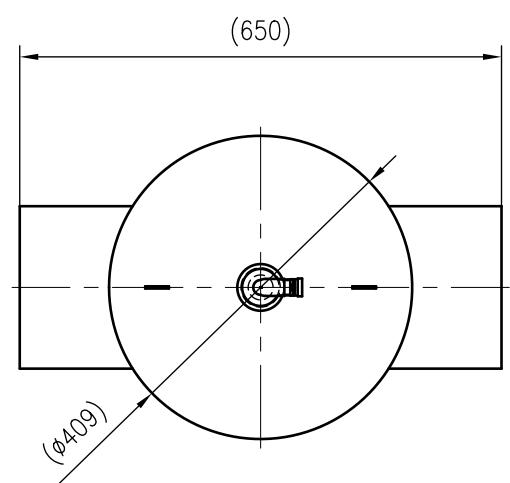
Side view



Front view



Isometric view



Top view



Unterliegt nicht dem Änderungsdienst/ Not subject to change management	Maßstab/ Scale: 1:10	Format/ Size: A3
---	-------------------------	---------------------

Revision 23.05.2016	Extwin TW219.1 – 8253160
------------------------	--------------------------