

1 2 3 4 5 6 7 8

A

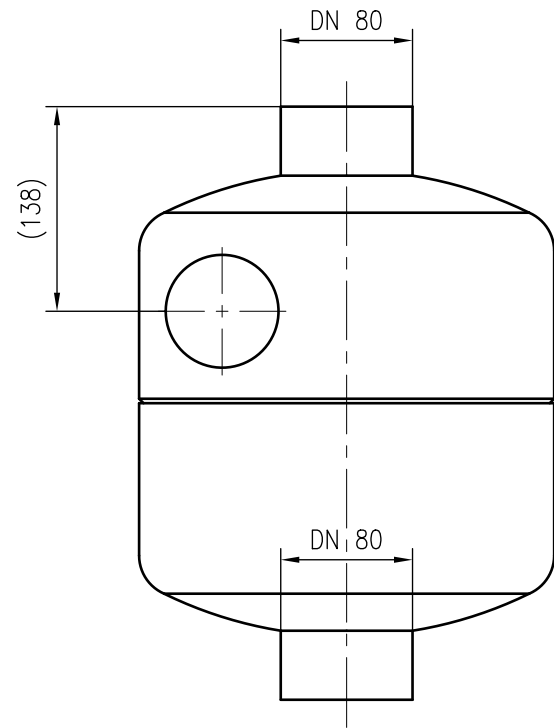
A

B

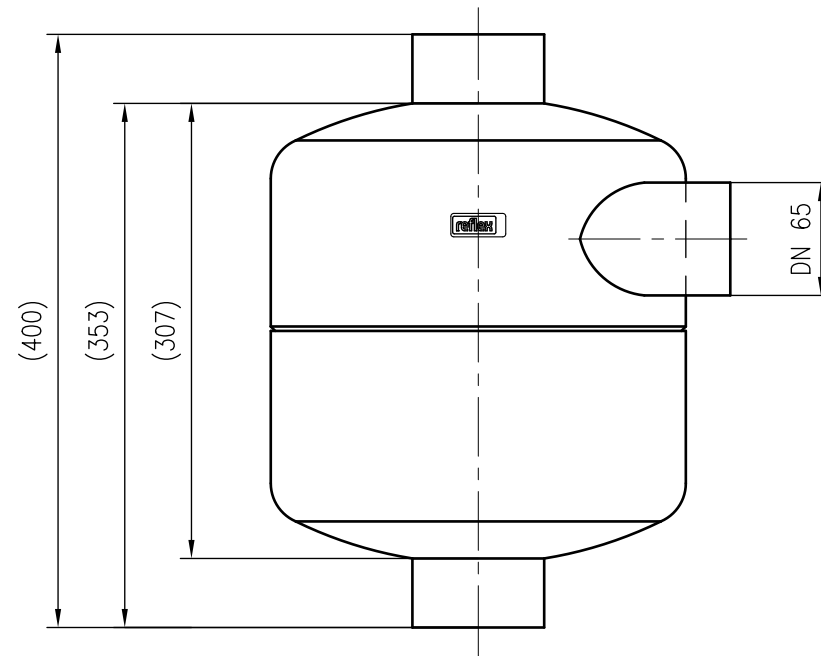
B

C

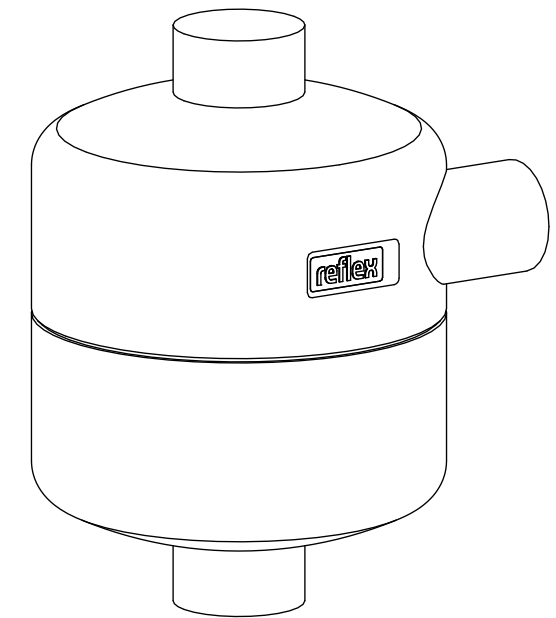
C



Side view



Front view



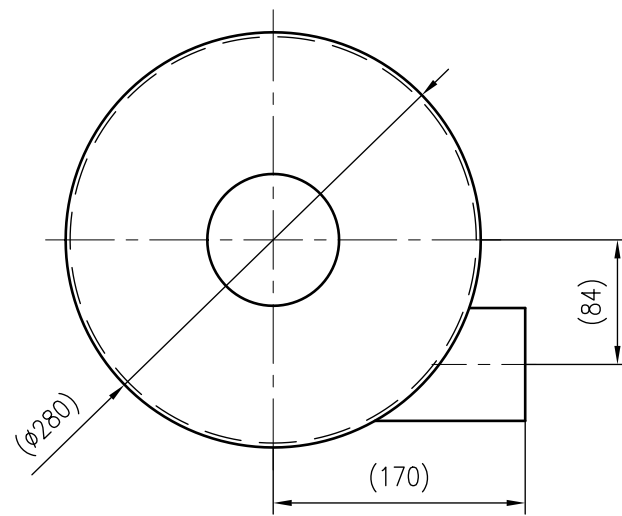
Isometric view

D

D

E

E



Top view



Unterliegt nicht dem Änderungsdienst/ Not subject to change management	Maßstab/ Scale: 1:5	Format/ Size: A3
---	------------------------	---------------------

Revision 19.05.2016	Expansion trapf T270 – 8681000
------------------------	--------------------------------

1 2 3 4 5 6 7 8 A3

F

F