



# HANSA

Installation and maintenance guide





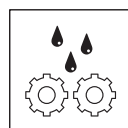
4-14



15-22



23



23-27



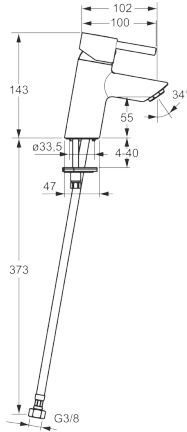
28





**5242 2277**

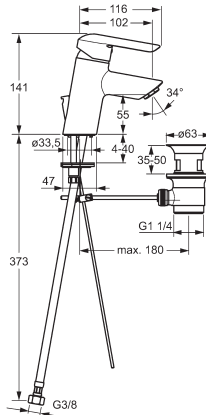
I (ISO 3822)  
 EN 817  
 100 - 1000 kPa  
 0.10 l/s (300 kPa w/Controller)  
 200 kPa (0.1 l/s)  
 max. +80°C



[mpi.hansa.com/52422277](http://mpi.hansa.com/52422277)

**5240 2273**

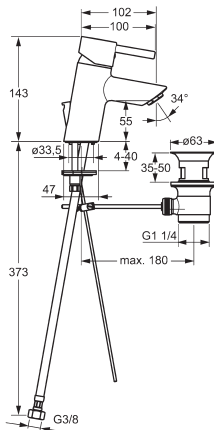
EN 817  
 50 - 1000 kPa  
 0.10 l/s (300 kPa w/Controller)  
 max. +80°C



[mpi.hansa.com/52402273](http://mpi.hansa.com/52402273)

**5240 2277**

EN 817  
 50 - 1000 kPa  
 0.10 l/s (300 kPa w/Controller)  
 max. +80°C



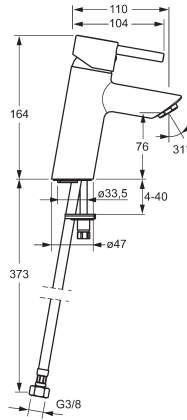
[mpi.hansa.com/52402277](http://mpi.hansa.com/52402277)





**5237 2277, 5237 2277 0037**

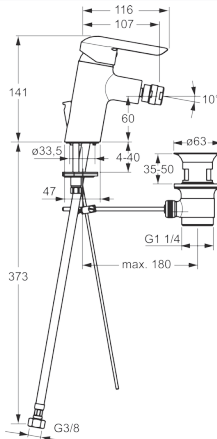
I (ISO 3822)  
 EN 817  
 100 - 1000 kPa  
 0.10 l/s (300 kPa w/Controller)  
 200 kPa (0.1 l/s)  
 max. +80°C



[mpi.hansa.com/52372277](http://mpi.hansa.com/52372277)

**5243 3273**

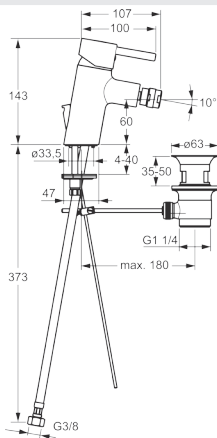
EN 817  
 50 - 1000 kPa  
 0.10 l/s (300 kPa w/Controller)  
 max. +90°C



[mpi.hansa.com/52433273](http://mpi.hansa.com/52433273)

**5243 3277**

EN 817  
 50 - 1000 kPa  
 0.10 l/s (300 kPa w/Controller)  
 max. +90°C

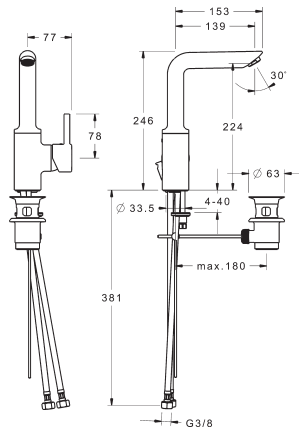


[mpi.hansa.com/52433277](http://mpi.hansa.com/52433277)



## 5254 2287

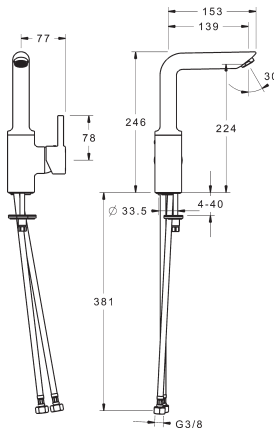
EN 817  
100 - 1000 kPa  
0.10 l/s (300 kPa w/Controller)  
max. +80°C



[mpi.hansa.com/52542287](http://mpi.hansa.com/52542287)

## 5255 2287

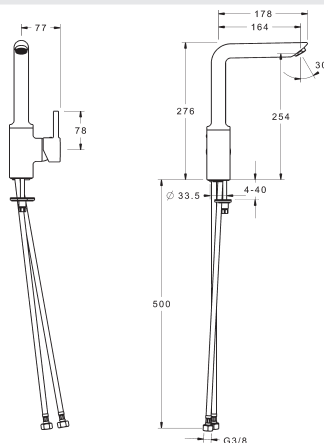
EN 817  
100 - 1000 kPa  
0.10 l/s (300 kPa w/Controller)  
max. +80°C



[mpi.hansa.com/52552287](http://mpi.hansa.com/52552287)

## 5220 2207

EN 817  
100 - 1000 kPa  
0.20 l/s (300 kPa)  
max. +80°C



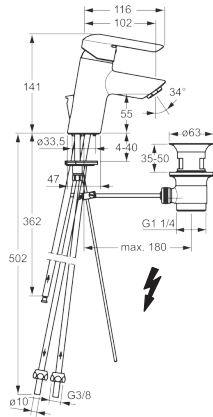
[mpi.hansa.com/52202207](http://mpi.hansa.com/52202207)





**5246 1173**

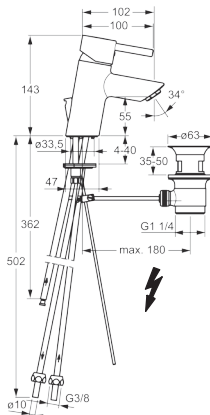
EN 817  
50 - 500 kPa  
max. +90°C



[mpi.hansa.com/52461173](http://mpi.hansa.com/52461173)

**5246 1177**

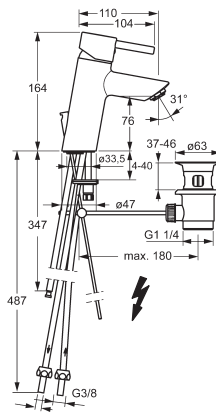
EN 817  
50 - 500 kPa  
max. +90°C



[mpi.hansa.com/52461177](http://mpi.hansa.com/52461177)

**5238 1177**

EN 817  
50 - 500 kPa  
max. +90°C

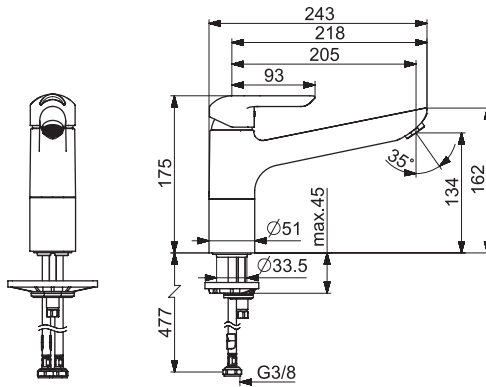


[mpi.hansa.com/52381177](http://mpi.hansa.com/52381177)



### 5248 2273

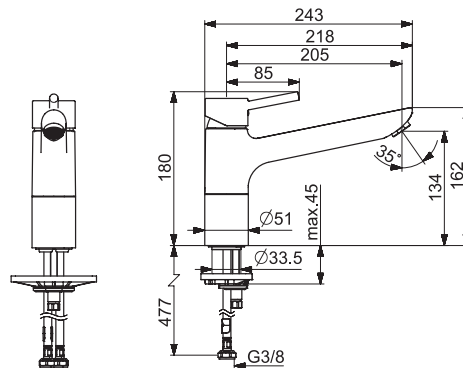
EN 817  
100 - 1000 kPa  
0.20 l/s (300 kPa)  
max. +90°C



[mpi.hansa.com/52482273](http://mpi.hansa.com/52482273)

### 5248 2277

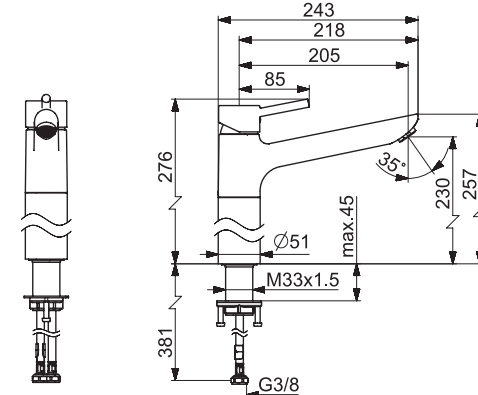
EN 817  
100 - 1000 kPa  
0.20 l/s (300 kPa)  
max. +90°C



[mpi.hansa.com/52482277](http://mpi.hansa.com/52482277)

### 5247 2277

EN 817  
50 - 1000 kPa  
0.10 l/s (300 kPa w/Controller)  
max. +80°C

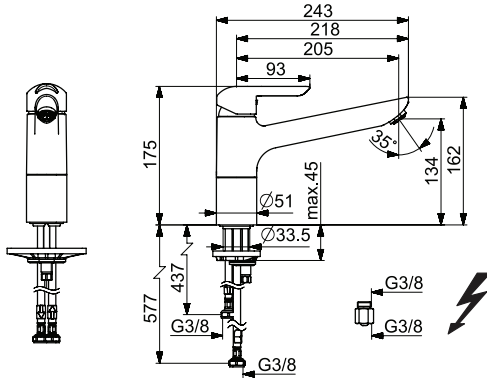


[mpi.hansa.com/52472277](http://mpi.hansa.com/52472277)



**5249 1173**

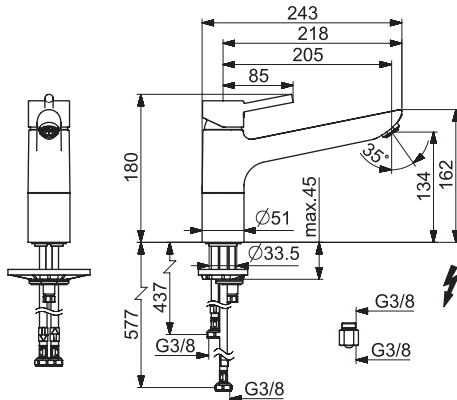
EN 817  
50 - 500 kPa  
max. +90°C



[mpi.hansa.com/52491173](http://mpi.hansa.com/52491173)

**5249 1177**

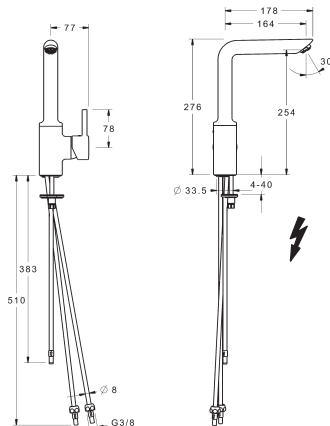
I (ISO 3822)  
EN 817  
100 - 1000 kPa  
0.15 l/s (300 kPa)  
0.10 l/s (300 kPa w/Controller)  
200 kPa (0.1 l/s)  
max. +80°C



[mpi.hansa.com/52491177](http://mpi.hansa.com/52491177)

**5222 1107**

EN 817  
50 - 500 kPa  
max. +80°C

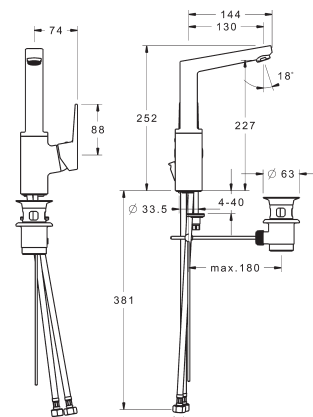


[mpi.hansa.com/52221107](http://mpi.hansa.com/52221107)



### 4028 2203 0061

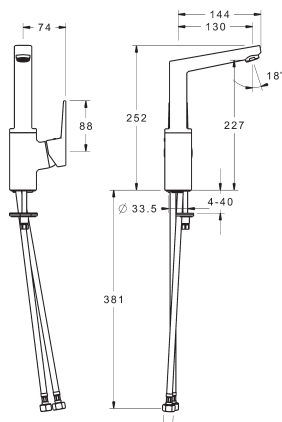
EN 817  
50 - 1000 kPa  
0.20 l/s (300 kPa)  
max. +90°C



[mpi.hansa.com/402822030061](http://mpi.hansa.com/402822030061)

### 4029 2203 0061

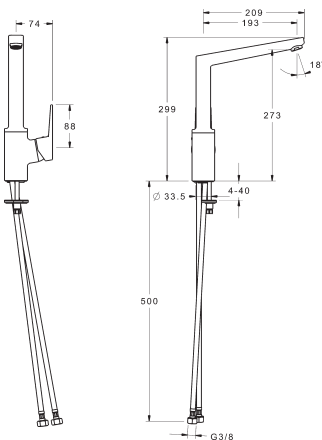
EN 817  
50 - 1000 kPa  
0.10 l/s (300 kPa w/Controller)  
max. +80°C



[mpi.hansa.com/402922030061](http://mpi.hansa.com/402922030061)

### 4031 2203 0061

EN 817  
50 - 1000 kPa  
0.10 l/s (300 kPa w/Controller)  
max. +80°C

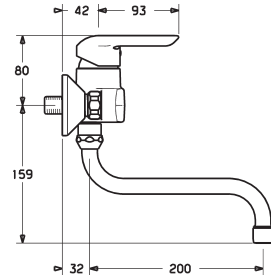
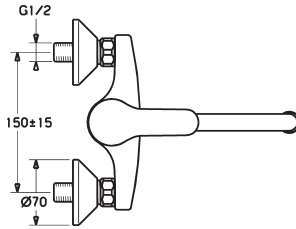


[mpi.hansa.com/403122030061](http://mpi.hansa.com/403122030061)



**5253 2103**

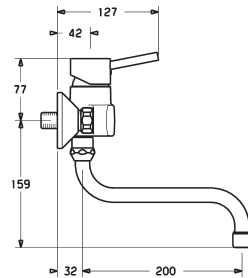
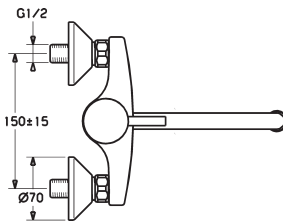
EN 817  
 50 - 1000 kPa  
 0.20 l/s (300 kPa w/Controller)  
 max. +90°C



[mpi.hansa.com/52532103](http://mpi.hansa.com/52532103)

**5253 2107**

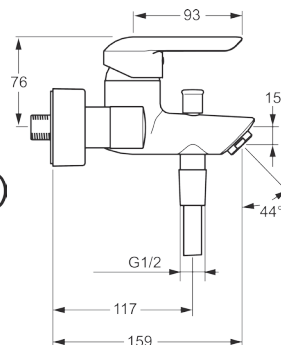
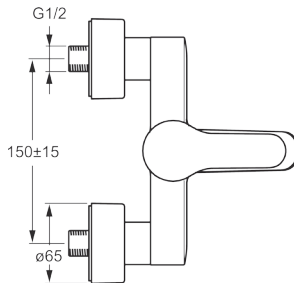
EN 817  
 50 - 1000 kPa  
 0.20 l/s (300 kPa w/Controller)  
 max. +90°C



[mpi.hansa.com/52532107](http://mpi.hansa.com/52532107)

**5244 2173**

I (ISO 3822)  
 EN 817  
 100 - 1000 kPa  
 0.20 l/s (300 kPa)  
 300 kPa (0.2 l/s)  
 max. +90°C

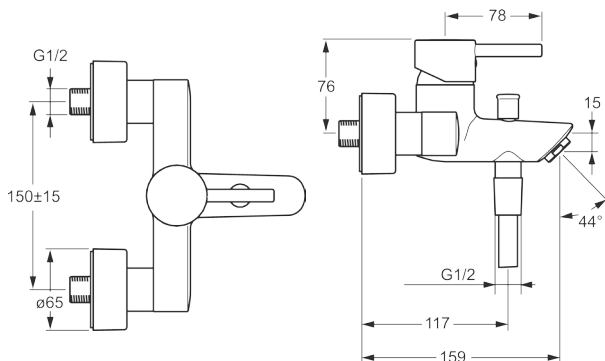


[mpi.hansa.com/52442173](http://mpi.hansa.com/52442173)



## 5244 2177

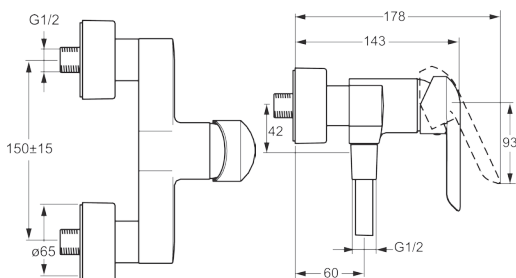
I (ISO 3822)  
EN 817  
100 - 1000 kPa  
0.34 / 0.32 l/s (300 kPa)  
250 kPa (0.3 l/s)  
max. +90°C



[mpi.hansa.com/52442177](http://mpi.hansa.com/52442177)

## 5245 0173

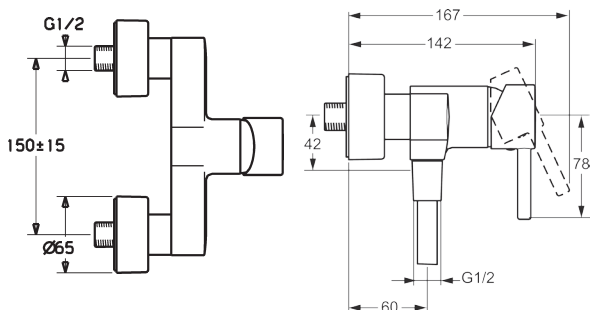
EN 817  
50 - 1000 kPa  
0.28 l/s (300 kPa)  
max. +90°C



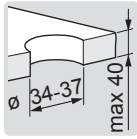
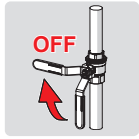
[mpi.hansa.com/52450173](http://mpi.hansa.com/52450173)

## 5245 0177

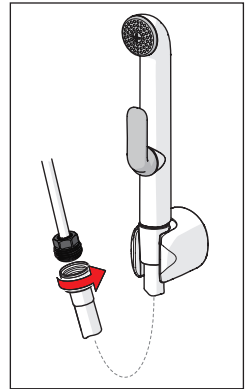
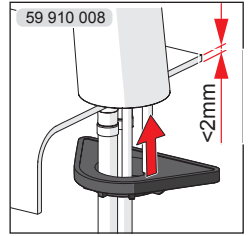
I (ISO 3822)  
EN 817  
100 - 1000 kPa  
0.28 l/s (300 kPa)  
160 kPa (0.2 l/s)  
max. +90°C



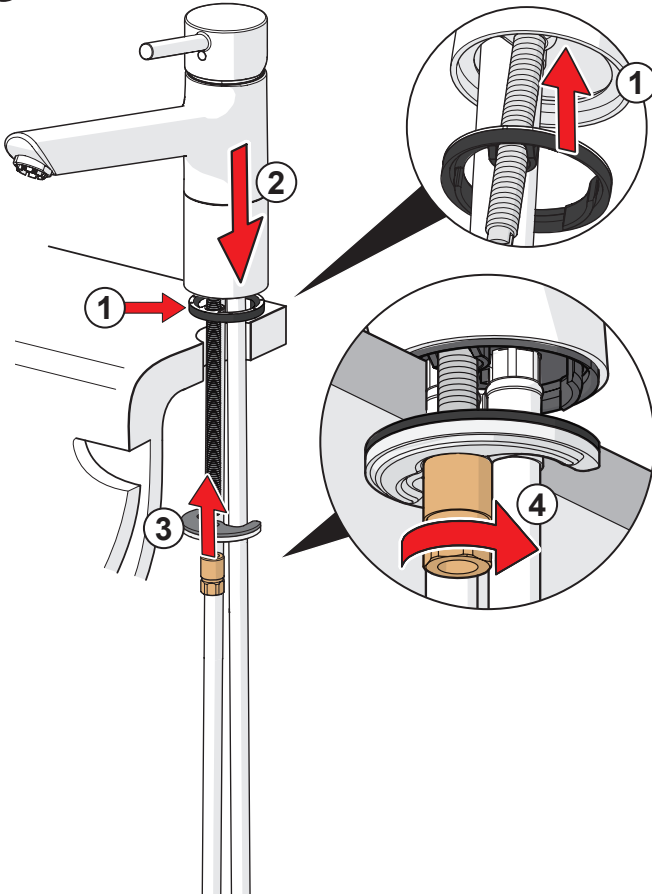
[mpi.hansa.com/52450177](http://mpi.hansa.com/52450177)

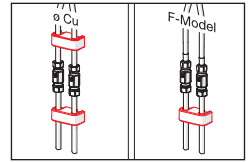
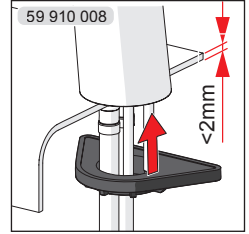
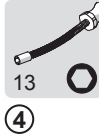
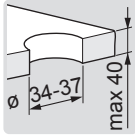
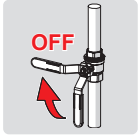


max.  
1600 kPa

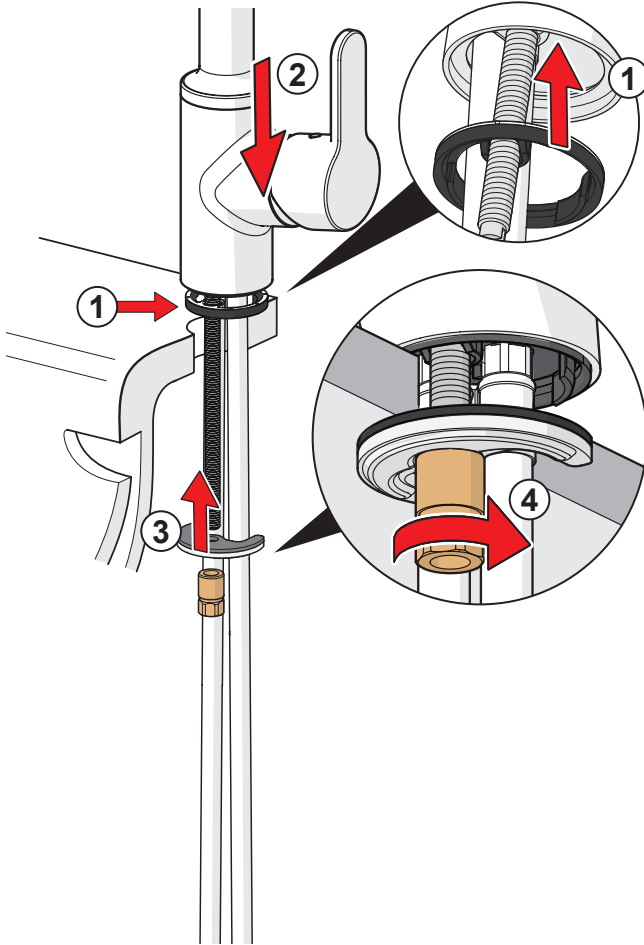


**1**

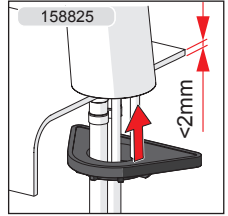
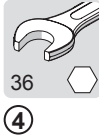
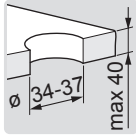
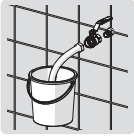
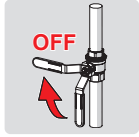




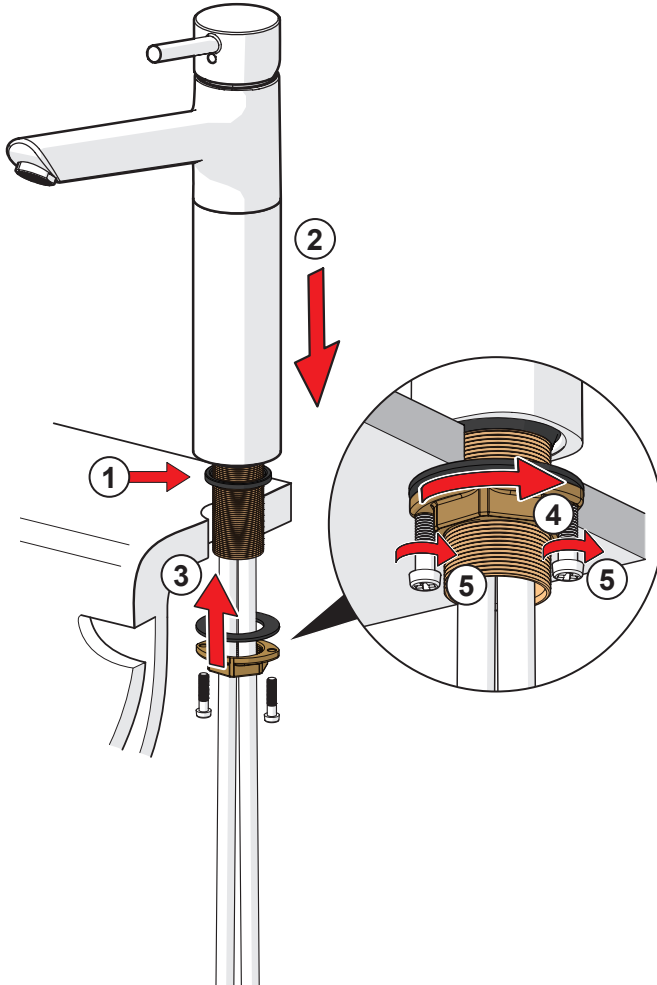
**1**

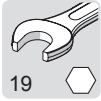






**1**





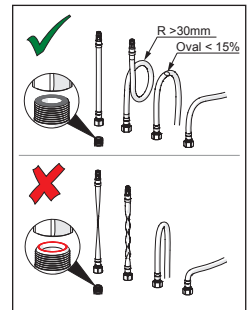
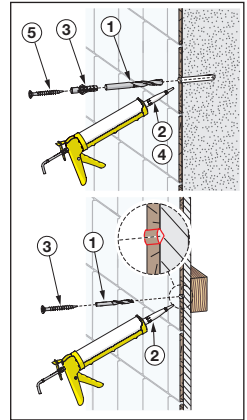
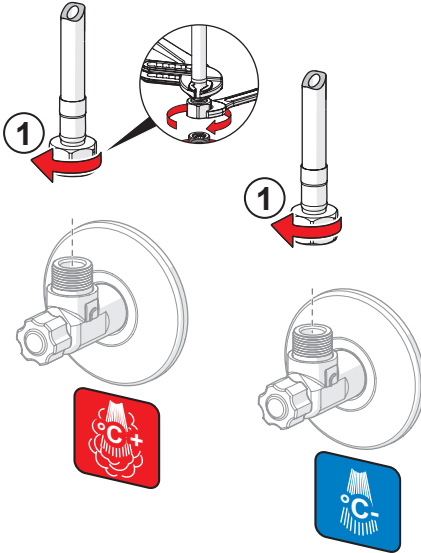
19



①

max.  
1600 kPa

②

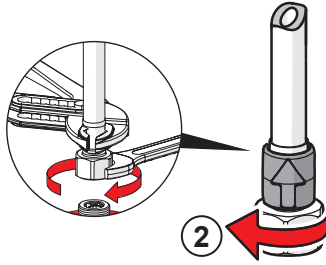




19  
①②③④



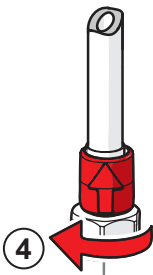
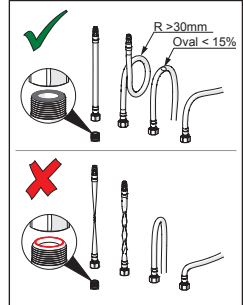
**A**



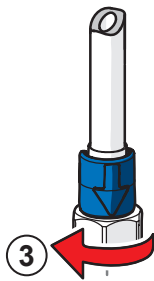
2



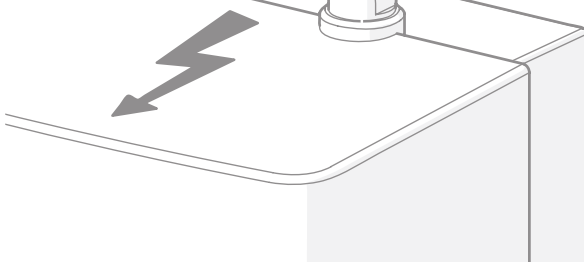
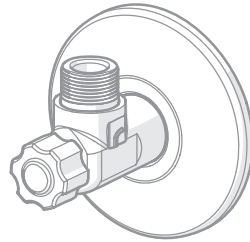
1

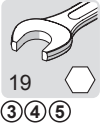


4

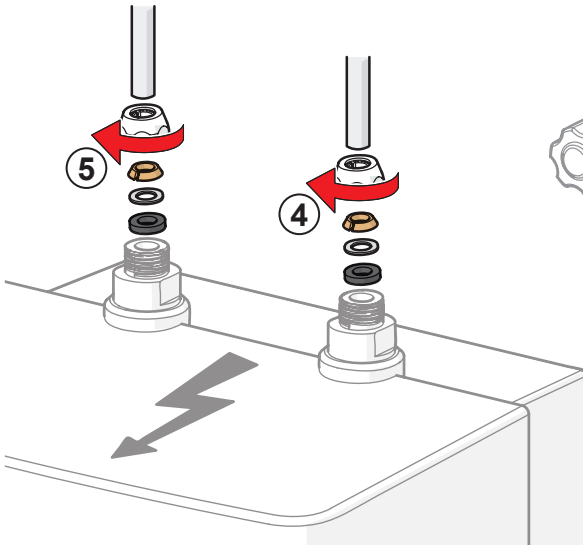
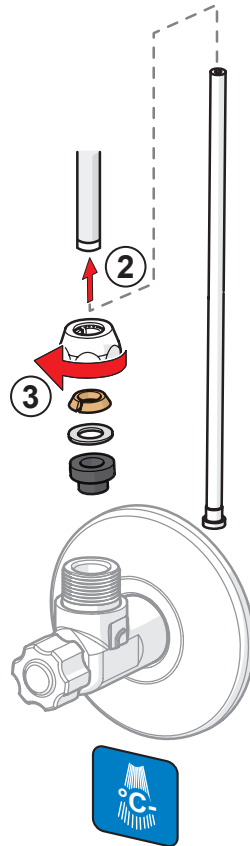
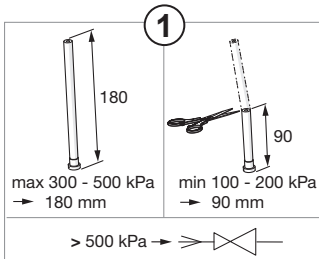


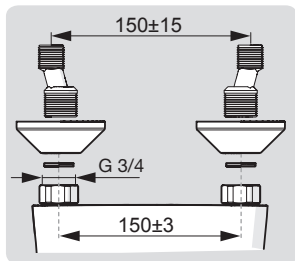
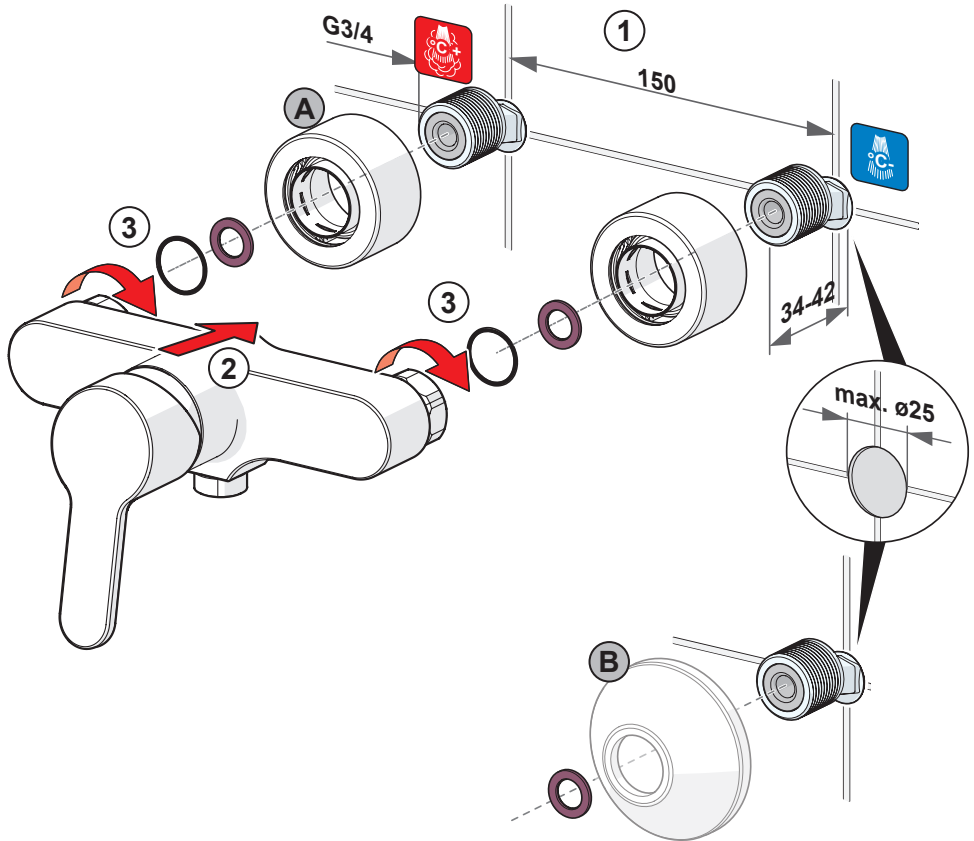
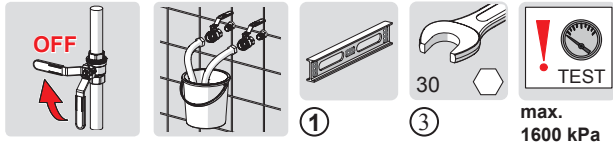
3





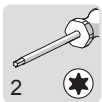
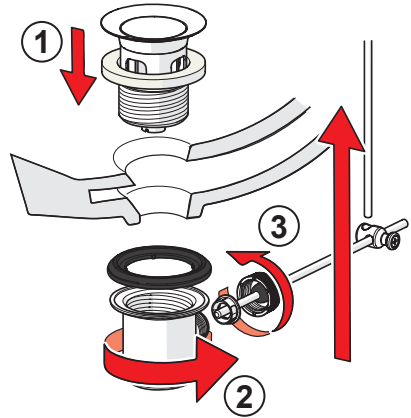
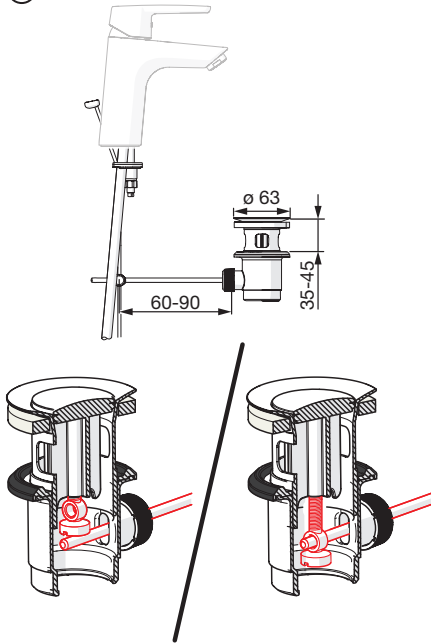
**B**



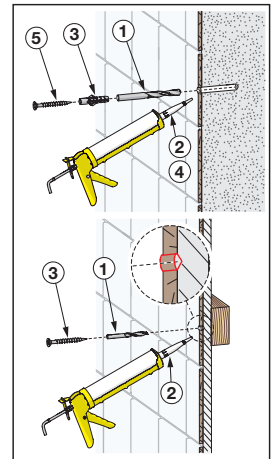
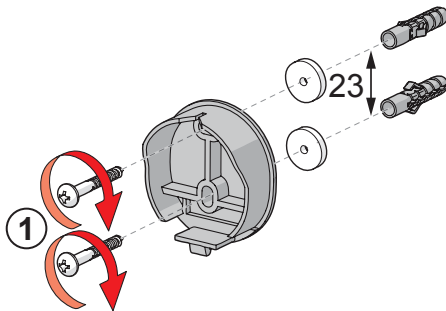
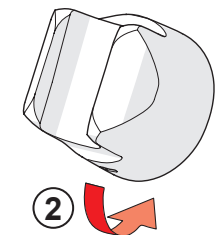


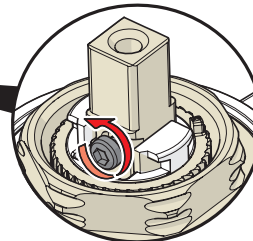
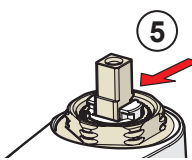
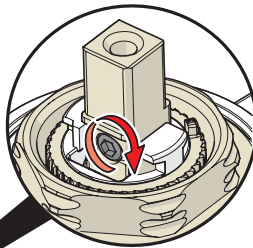
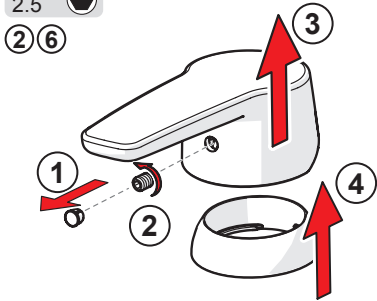
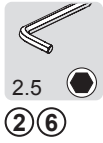
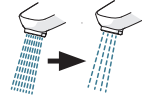
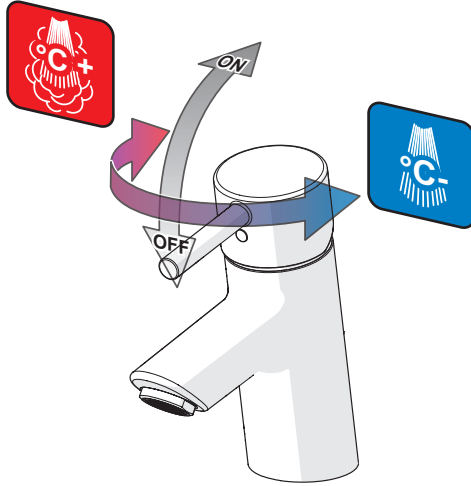


① ② ③



①







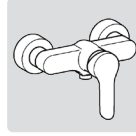
②



Ⓐ



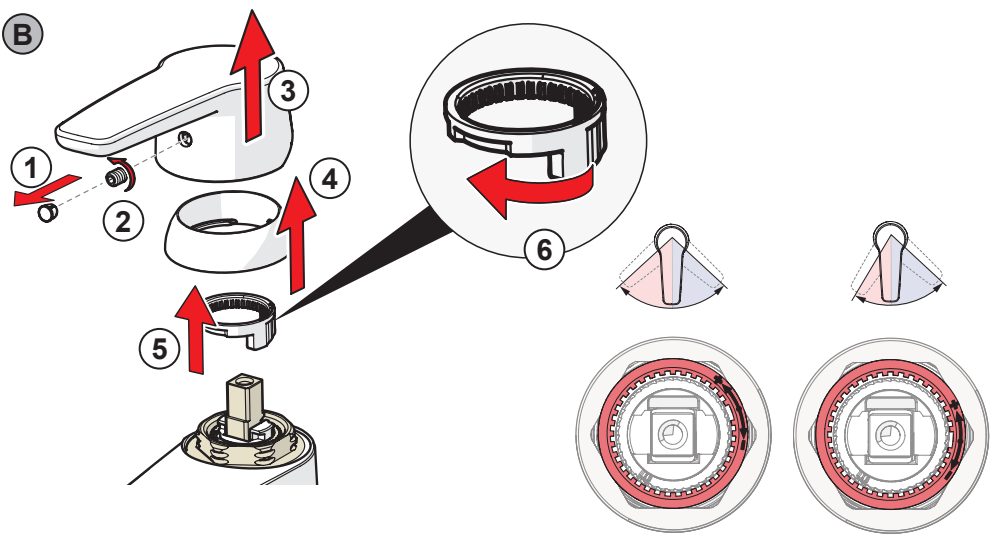
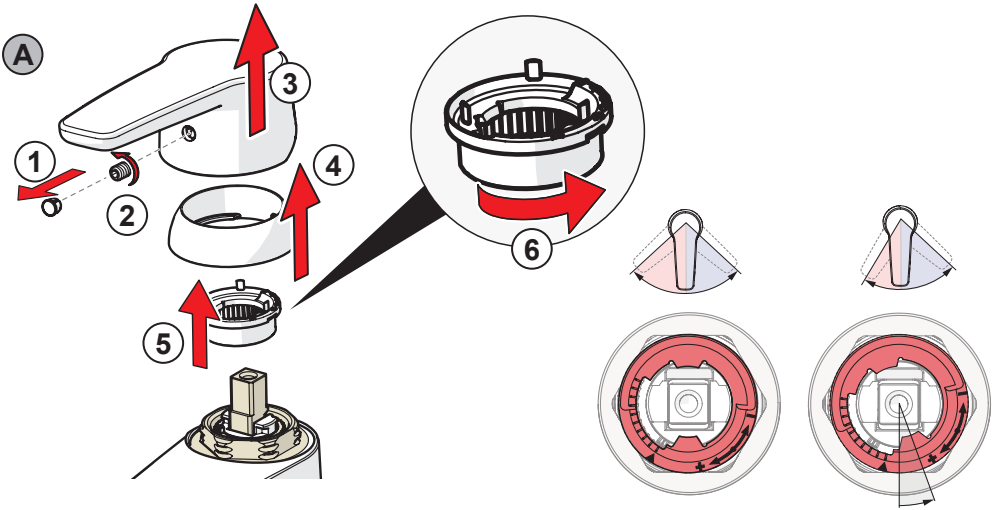
Ⓐ



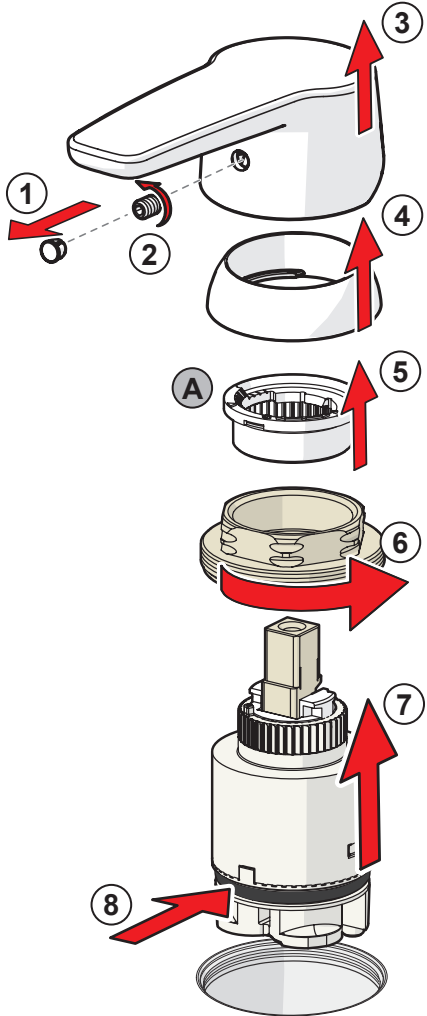
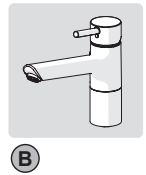
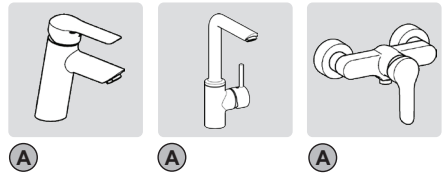
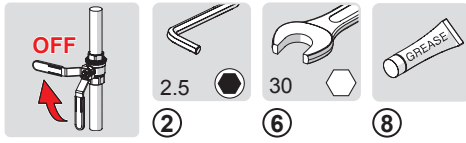
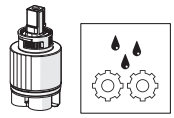
Ⓐ



Ⓑ









A1



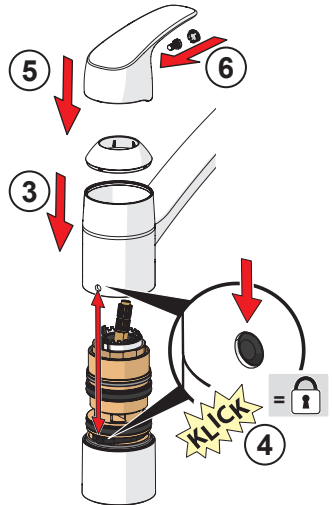
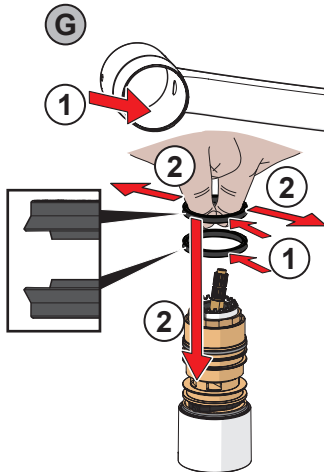
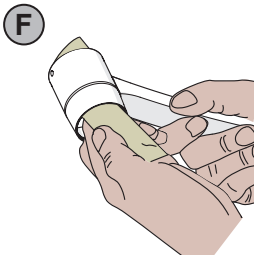
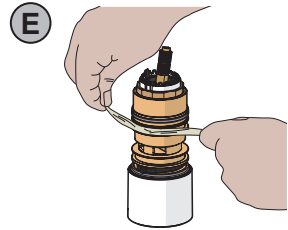
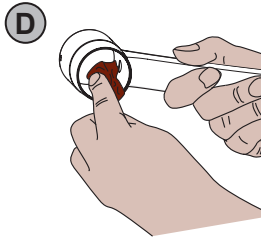
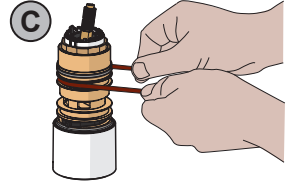
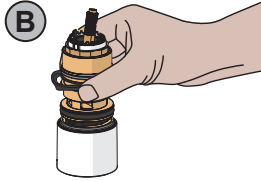
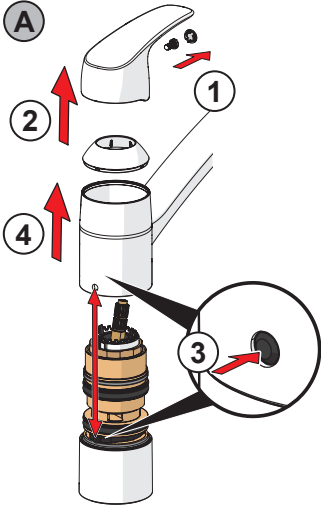
G1



G2

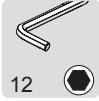


G6





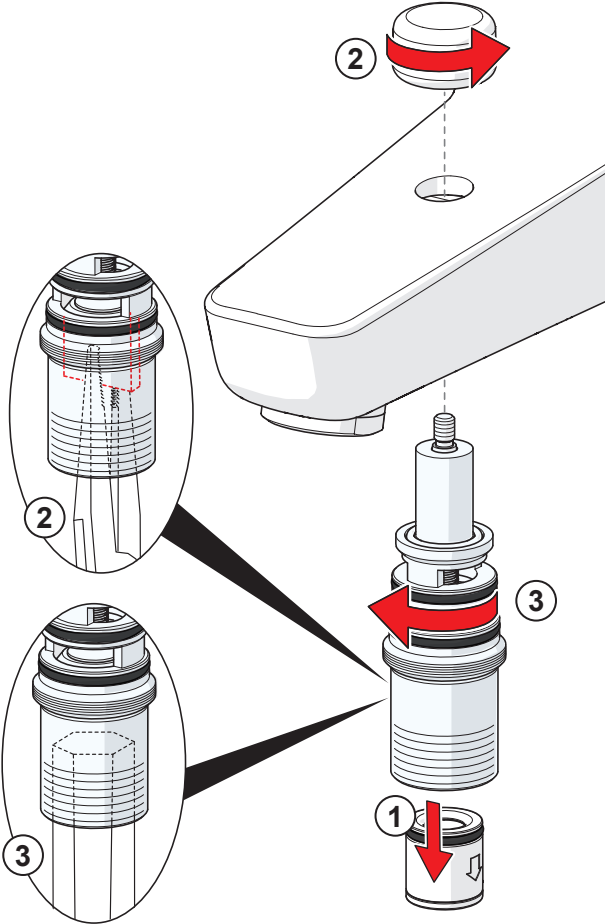
① ②

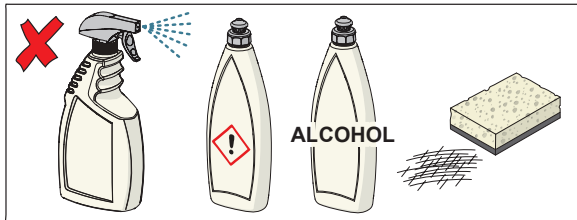
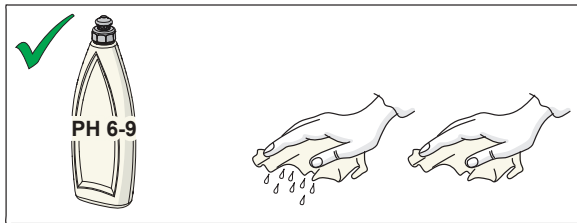
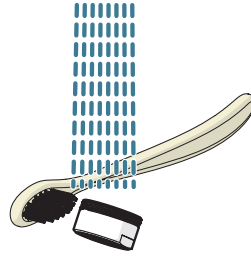
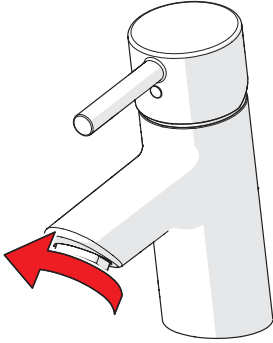


③



③





CLEANING.HANSA.COM







Oras Group is a powerful European provider of sanitary fittings: the market leader in the Nordics and a leading company in Continental Europe. The company's mission is to make the use of water easy and sustainable and its vision is to become the European leader of advanced sanitary fittings. Oras Group has two strong brands: Oras and Hansa.

The Group's head office is located in Rauma, Finland, and the Group has three manufacturing sites: Kralovice (Czech Republic), Olesno (Poland) and Rauma (Finland). Oras Group employs approximately 1,200 people in twenty countries. Oras Group is owned by Oras Invest, a family company and an industrial owner.

HANSA Armaturen GmbH  
P. O. BOX 81 02 40  
D-70519 Stuttgart  
Sigmaringer Strasse 107  
D-70567 Stuttgart  
Tel.: +49 711 16 14 0  
Fax: +49 711 16 14 368  
info@hansa.de  
www.hansa.com



943377D-08-20