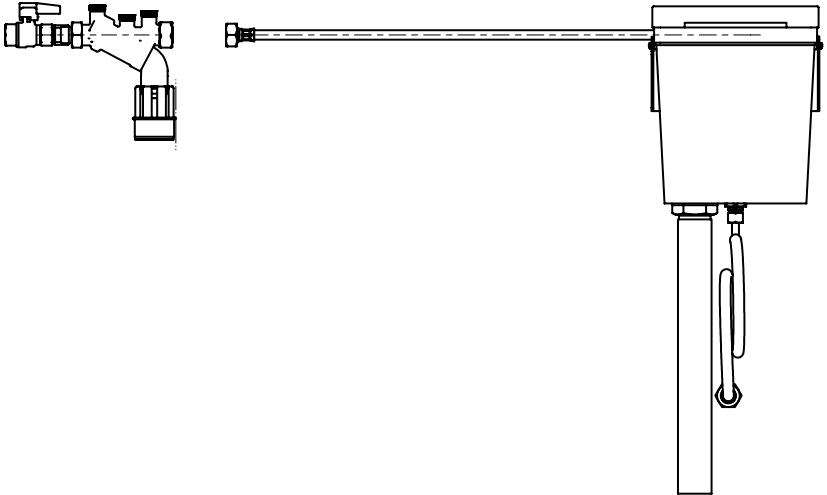
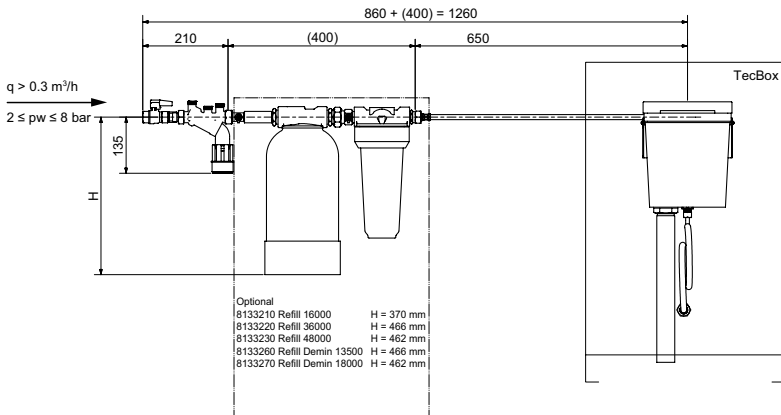
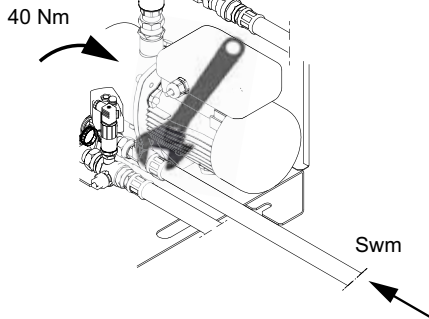
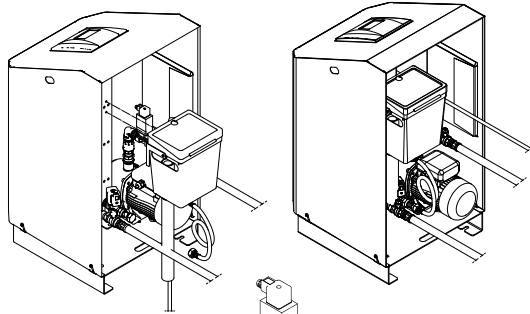
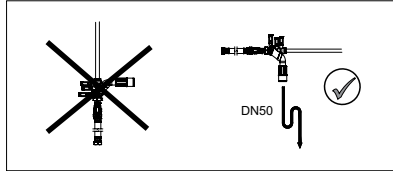
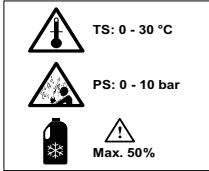


Pleno P AB5 R INSTALL



SAFETY – INSPECTION – DISASSEMBLING prescriptions

ITEM	DESCRIPTION
1	Read the instructions carefully before starting the work.
2	Use the correct tools and equipment.
3	Do not touch the moving parts of the valve.
4	Do not touch the face of the valve.
5	Do not touch the face of the valve.
6	Do not touch the face of the valve.
7	Do not touch the face of the valve.
8	Do not touch the face of the valve.
9	Do not touch the face of the valve.
10	Do not touch the face of the valve.
11	Do not touch the face of the valve.
12	Do not touch the face of the valve.
13	Do not touch the face of the valve.
14	Do not touch the face of the valve.
15	Do not touch the face of the valve.
16	Do not touch the face of the valve.
17	Do not touch the face of the valve.
18	Do not touch the face of the valve.
19	Do not touch the face of the valve.
20	Do not touch the face of the valve.
21	Do not touch the face of the valve.
22	Do not touch the face of the valve.
23	Do not touch the face of the valve.
24	Do not touch the face of the valve.
25	Do not touch the face of the valve.
26	Do not touch the face of the valve.
27	Do not touch the face of the valve.
28	Do not touch the face of the valve.
29	Do not touch the face of the valve.
30	Do not touch the face of the valve.
31	Do not touch the face of the valve.
32	Do not touch the face of the valve.
33	Do not touch the face of the valve.
34	Do not touch the face of the valve.
35	Do not touch the face of the valve.
36	Do not touch the face of the valve.
37	Do not touch the face of the valve.
38	Do not touch the face of the valve.
39	Do not touch the face of the valve.
40	Do not touch the face of the valve.
41	Do not touch the face of the valve.
42	Do not touch the face of the valve.
43	Do not touch the face of the valve.
44	Do not touch the face of the valve.
45	Do not touch the face of the valve.
46	Do not touch the face of the valve.
47	Do not touch the face of the valve.
48	Do not touch the face of the valve.
49	Do not touch the face of the valve.
50	Do not touch the face of the valve.
51	Do not touch the face of the valve.
52	Do not touch the face of the valve.
53	Do not touch the face of the valve.
54	Do not touch the face of the valve.
55	Do not touch the face of the valve.
56	Do not touch the face of the valve.
57	Do not touch the face of the valve.
58	Do not touch the face of the valve.
59	Do not touch the face of the valve.
60	Do not touch the face of the valve.
61	Do not touch the face of the valve.
62	Do not touch the face of the valve.
63	Do not touch the face of the valve.
64	Do not touch the face of the valve.
65	Do not touch the face of the valve.
66	Do not touch the face of the valve.
67	Do not touch the face of the valve.
68	Do not touch the face of the valve.
69	Do not touch the face of the valve.
70	Do not touch the face of the valve.
71	Do not touch the face of the valve.
72	Do not touch the face of the valve.
73	Do not touch the face of the valve.
74	Do not touch the face of the valve.
75	Do not touch the face of the valve.
76	Do not touch the face of the valve.
77	Do not touch the face of the valve.
78	Do not touch the face of the valve.
79	Do not touch the face of the valve.
80	Do not touch the face of the valve.
81	Do not touch the face of the valve.
82	Do not touch the face of the valve.
83	Do not touch the face of the valve.
84	Do not touch the face of the valve.
85	Do not touch the face of the valve.
86	Do not touch the face of the valve.
87	Do not touch the face of the valve.
88	Do not touch the face of the valve.
89	Do not touch the face of the valve.
90	Do not touch the face of the valve.
91	Do not touch the face of the valve.
92	Do not touch the face of the valve.
93	Do not touch the face of the valve.
94	Do not touch the face of the valve.
95	Do not touch the face of the valve.
96	Do not touch the face of the valve.
97	Do not touch the face of the valve.
98	Do not touch the face of the valve.
99	Do not touch the face of the valve.
100	Do not touch the face of the valve.



www.imi-hydronic.com

We reserve the right to introduce technical alterations without previous notice.