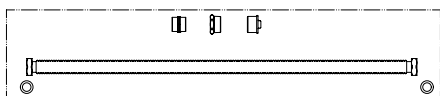




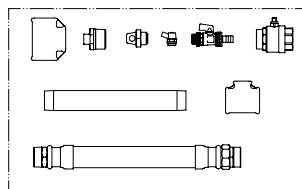
**TU** Art.Nr. 7463011



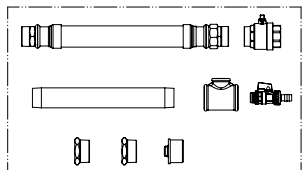
**TG** Art.Nr. 7463012



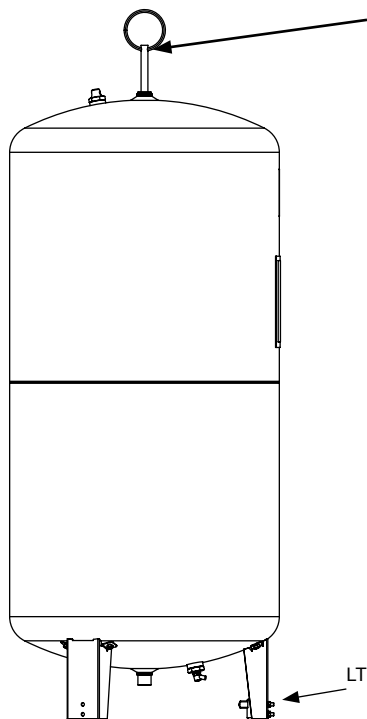
**TU-E** Art.Nr. 7463013



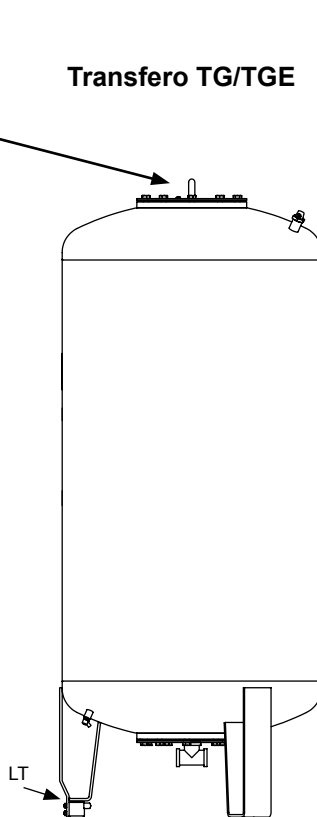
**TG-E** Art.Nr. 7463014

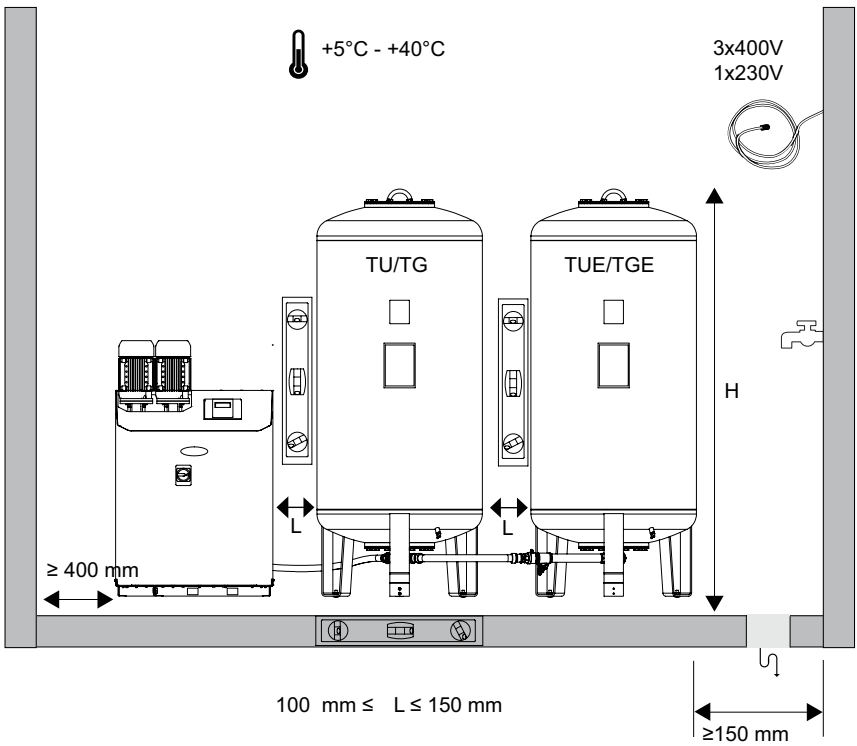
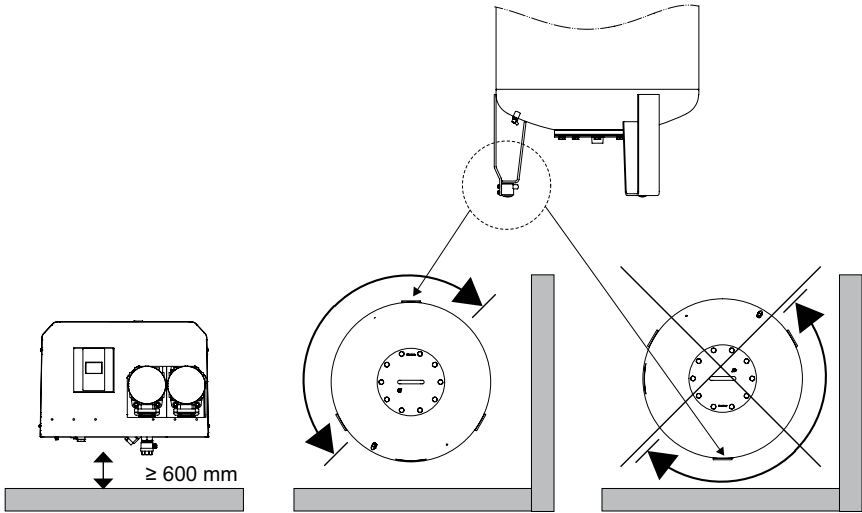


**Transfero TU/TUE**



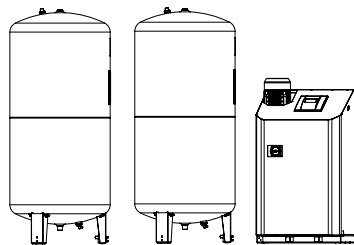
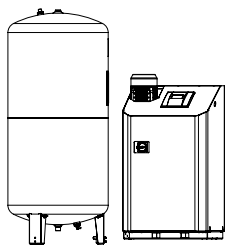
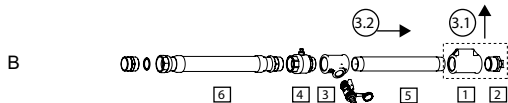
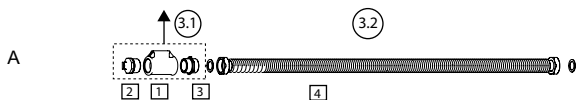
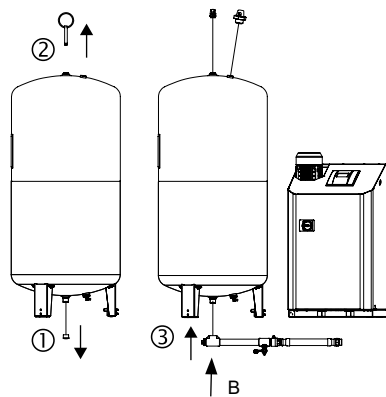
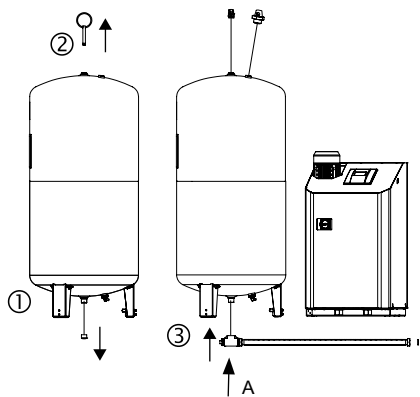
**Transfero TG/TGE**





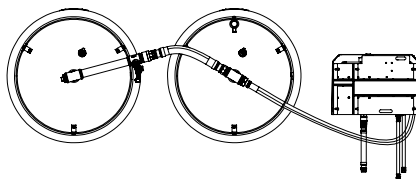
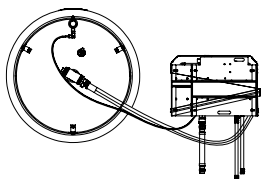
## Transfero TU

## Transfero TUE



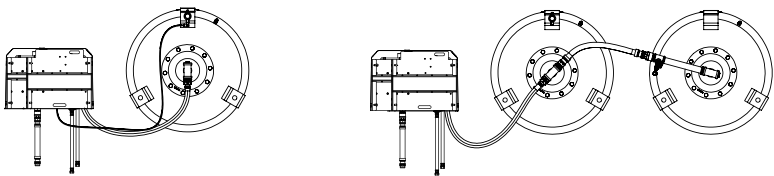
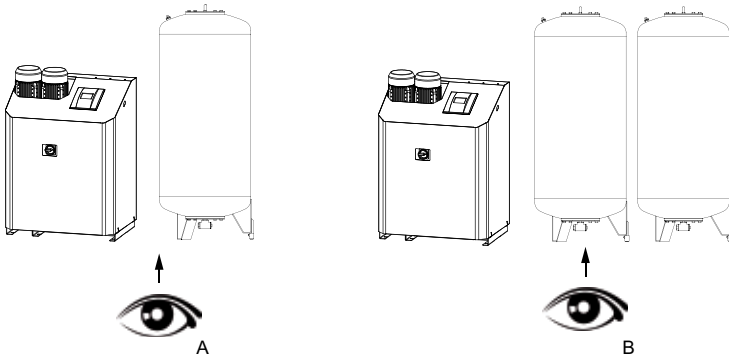
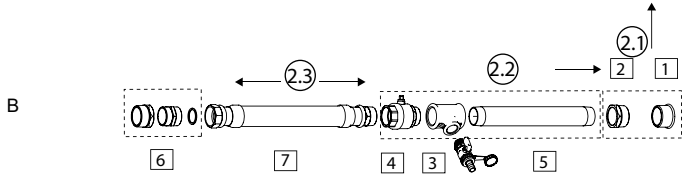
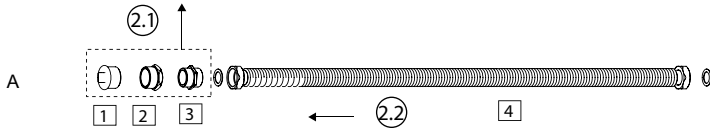
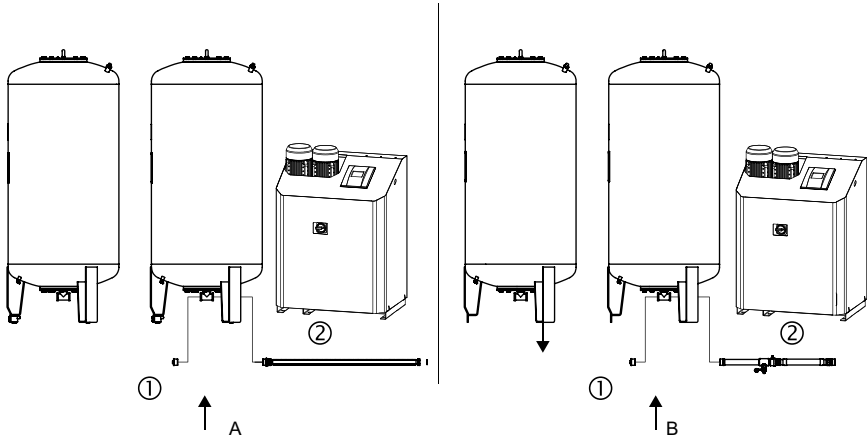
A

B



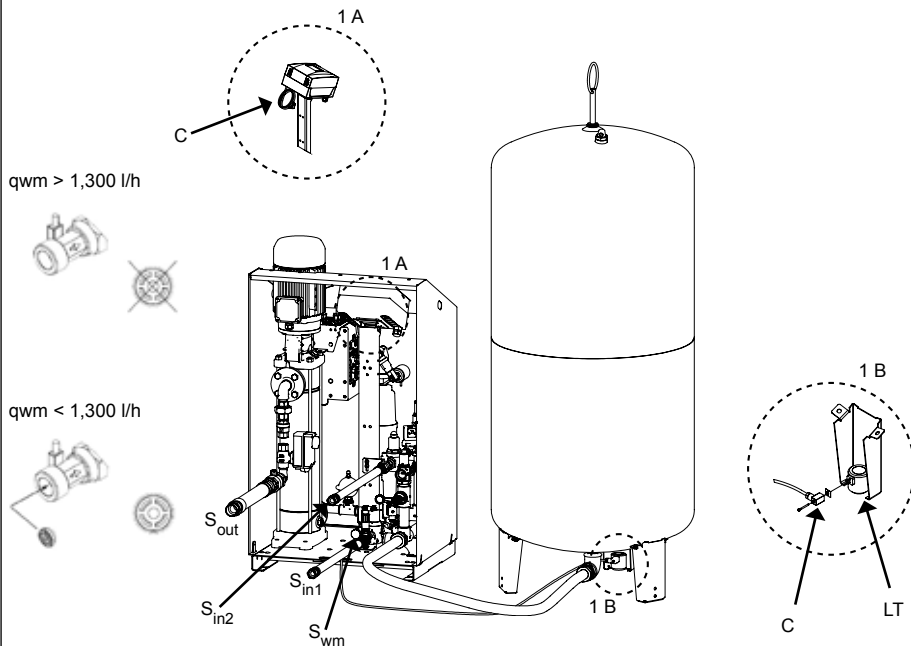
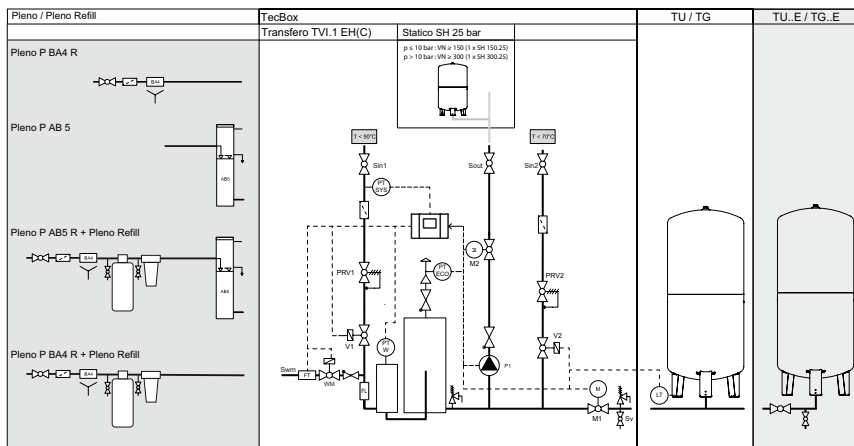
## Transfero TG

## Transfero TG-E



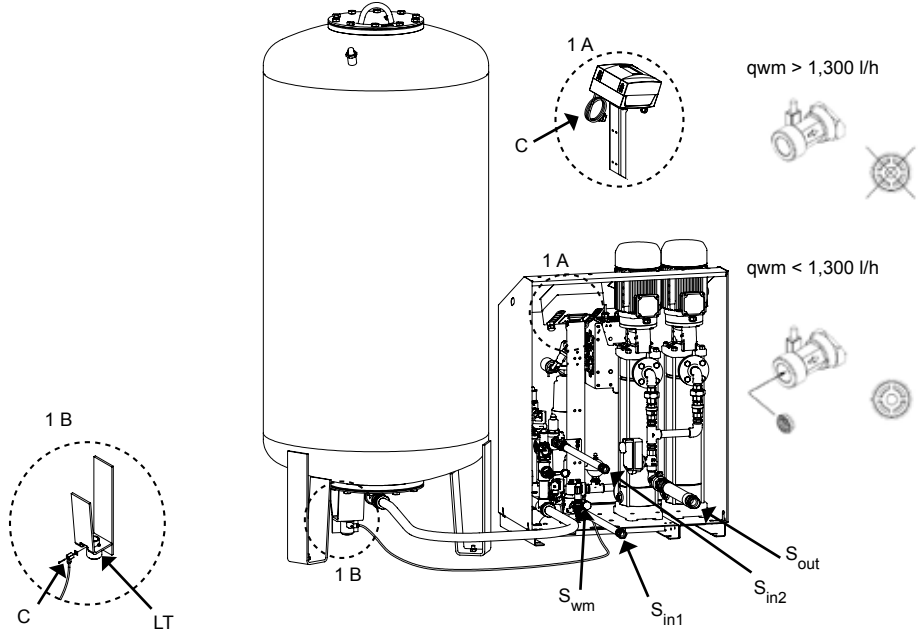
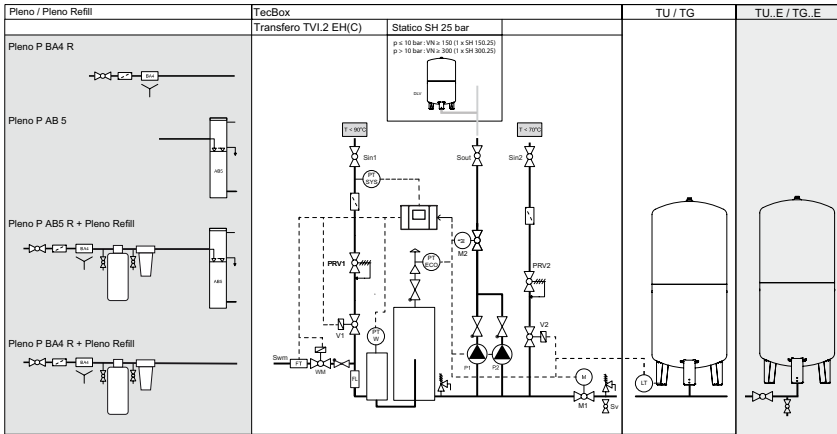
# TVI.1 EH(C)

Optional



# TVI.2 EH(C)

Optional

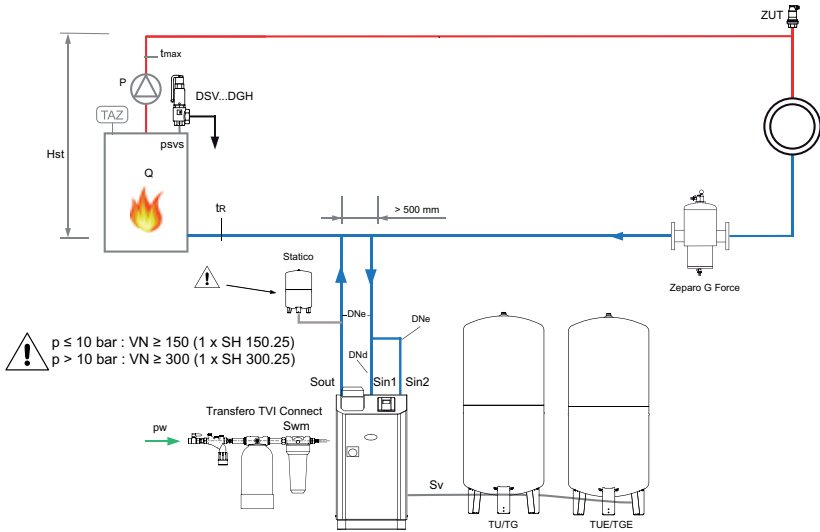






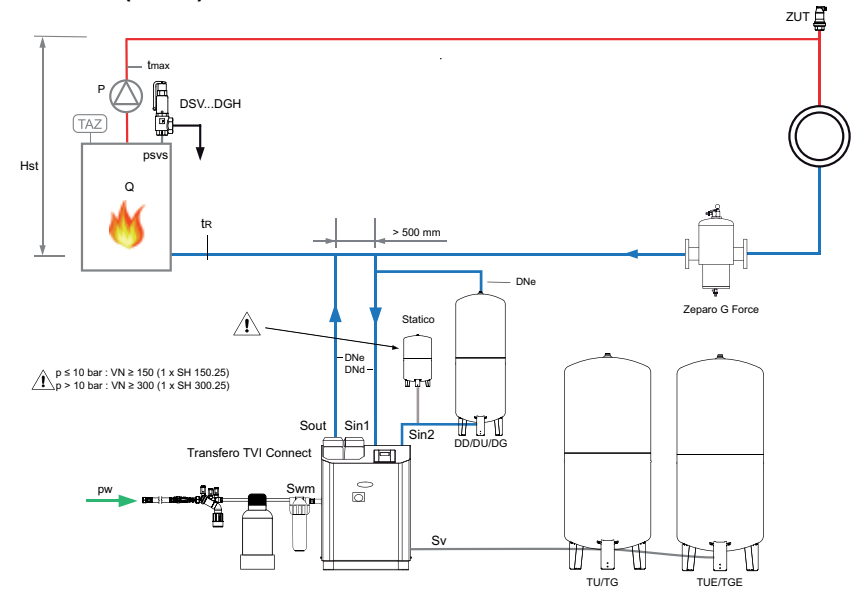
$T \leq 70^{\circ}\text{C}$

### TVI.1 EH (Refill)



$70^{\circ}\text{C} < T \leq 90^{\circ}\text{C}$

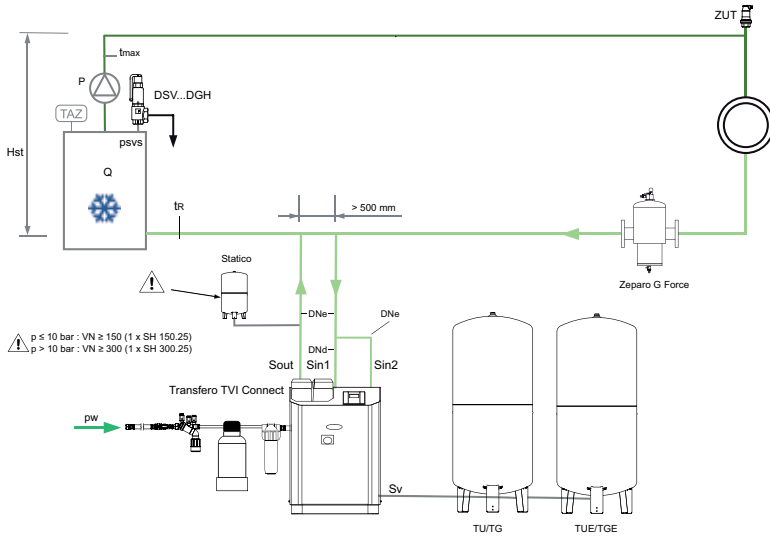
### TVI.2 EH (Refill)





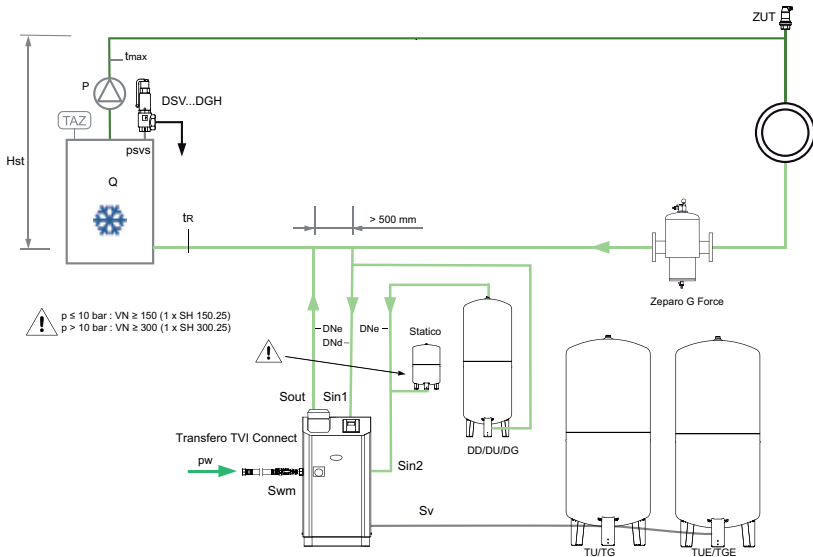
T > 5 °C

### TVI.2 EHC (Refill)



T < 5 °C

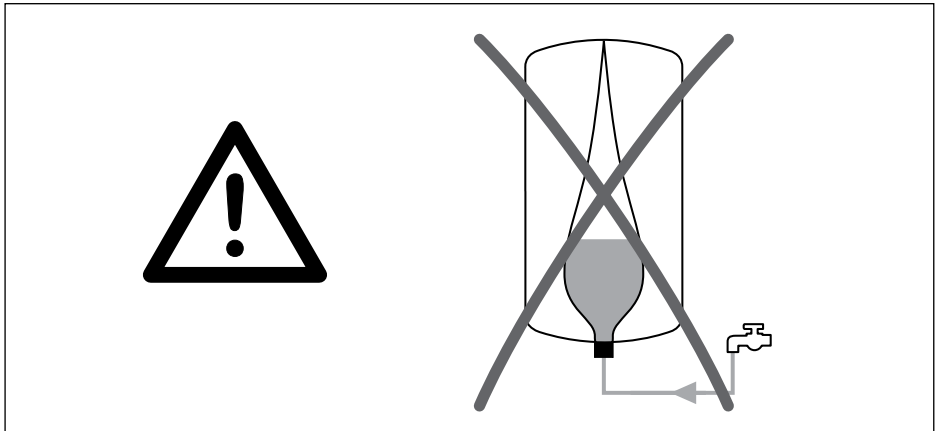
### TVI.2 EHC



## DNe

Table 6: DNe Transfero TVI

		TVI_19.1 H	TVI_19.2 H	TVI_25.1 H	TVI_25.2 H
L max: 5 m	<b>DNe</b>	32	50/40	32	50/40
	Hst   m	all	< 128 / ≥ 128	all	< 182 / ≥ 182
	<b>DNd</b>	25	25	25	25
	Hst   m	all	all	all	all
L max: 10 m	<b>DNe</b>	40/32	65/50	40/32	65/50
	Hst   m	< 88 / ≥ 88	< 87 / ≥ 87	< 136 / ≥ 136	< 136 / ≥ 136
	<b>DNd</b>	25	25	25	25
	Hst   m	all	all	all	all
L max: 30 m	<b>DNe</b>	50/40	65/50	50/40	65/50
	Hst   m	< 101 / ≥ 101	< 134 / ≥ 134	< 150 / ≥ 150	< 188 / ≥ 188
	<b>DNd</b>	32	32	32	32
	Hst   m	all	all	all	all

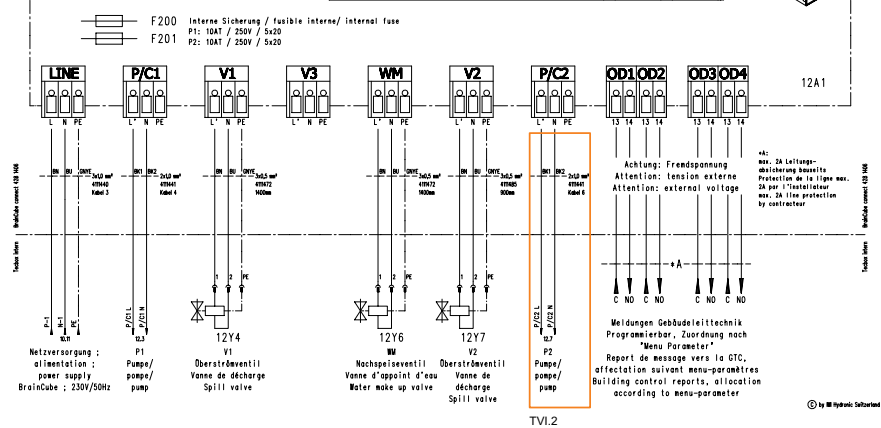
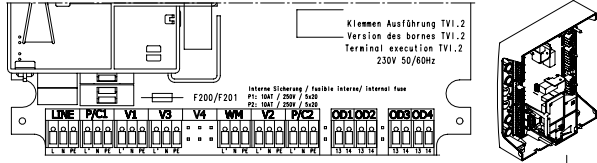






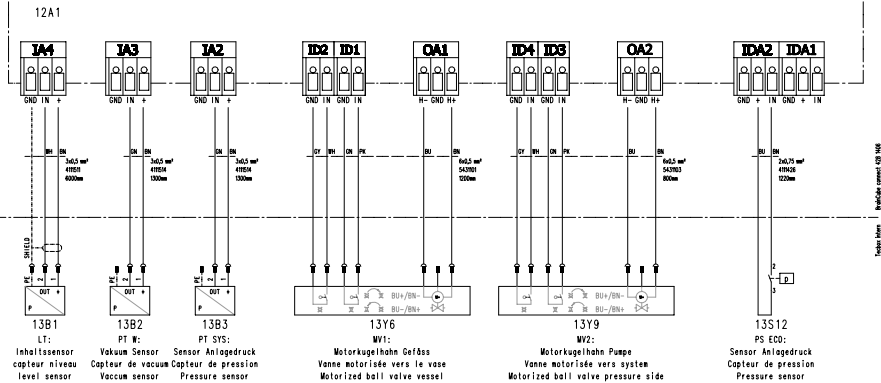
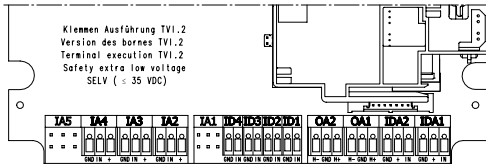
## 2 230 V BrainCube Connect

- P1 : Pumpe / pompe / pump
- P2 : Pumpe / pompe / pump
- V1 : Überströmventil / Vanne de décharge / Spill valve
- V3 : Pumpenventil / Vanne de refoulement / Pump valve
- WM : Nachspeisventil / Vanne d'appoint d'eau / Water make up valve
- V2 : Highflow Überströmventil / Vanne de décharge grand débit / Spill valve highflow



© by IM Hydraulic Software AG

## 3 24 V BrainCube Connect



© by IM Hydraulic Software AG

